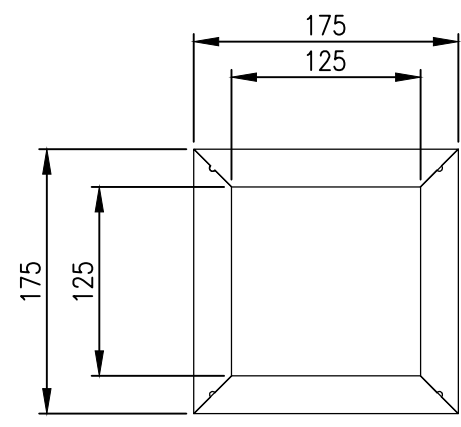
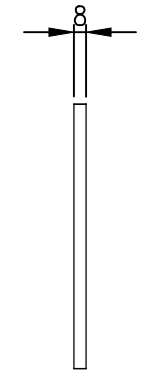


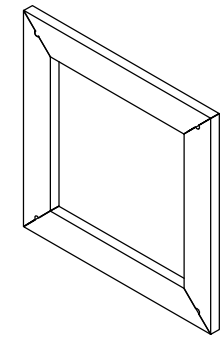
TOP VIEW  
MAIN FRAME



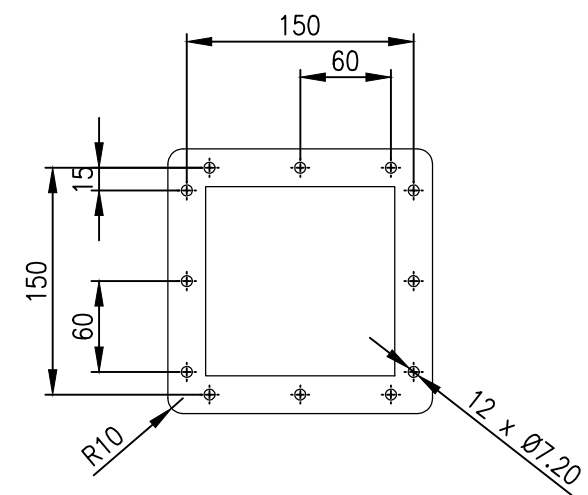
FRONT VIEW  
MAIN FRAME



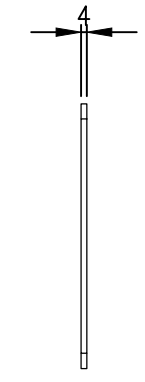
SIDE VIEW  
MAIN FRAME



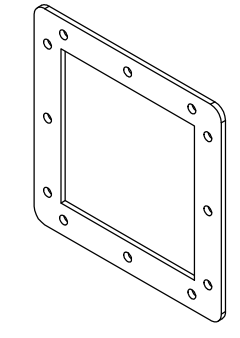
ISOMETRIC VIEW



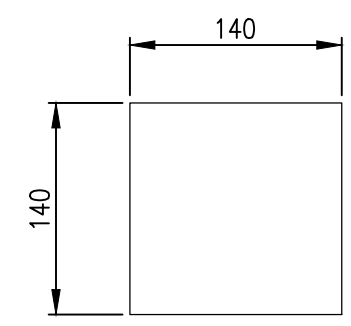
BACKING FLANGE



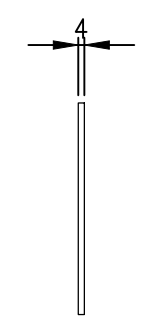
SIDE VIEW



ISOMETRIC VIEW



FRONT VIEW  
POLYCARBONATE WINDOW



SIDE VIEW

**MATERIAL**  
 FRAME: GRADE 316/316L STAINLESS STEEL  
 BACKING FLANGE: GRADE 316/316L STAINLESS STEEL  
 WINDOW: 4.0mm POLYCARBONATE  
 SURFACE FINISH: 0.4 MICRON R<sub>a</sub> BRUSHED FINISH

PROTECTION: IP66

Itemref	Quantity	Title/Name, designation, material, dimension etc	Article No./Reference
IP	1	IP66 316SS 125Hx125W VIEWING WINDOW	IP-WINDOW1212
Designed by	Checked by	Approved by - date	Filename Date Scale
IP	IP	09/03/23	IP-WINDOW1212 09/03/23 1:5
Edition			Sheet
0			1/1