

## 316 STAINLESS STEEL | IP66

Inspection windows provide safe visibility to view and monitor equipment and components mounted inside an electrical enclosure without opening the enclosure door.

**Opening Size:** 125 H x 125 W

**Protection:** IP66

**Material:**

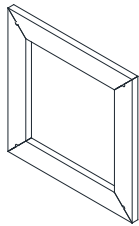
- Frame: Grade 316/316L Stainless Steel
- Window: 4.0mm Polycarbonate



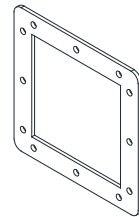
**Surface Finish:** 0.4 micron Ra surface brushed finish.

**Frame:** The frame and backing flange are fabricated using Grade 316/316L Stainless Steel. A gasket is provided.

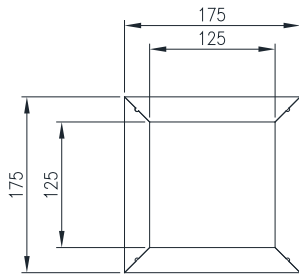
**Window:** The window is manufactured from 4.0mm Polycarbonate.



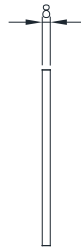
ISOMETRIC VIEW



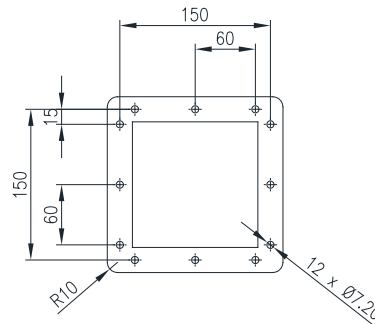
ISOMETRIC VIEW



FRONT VIEW  
MAIN FRAME



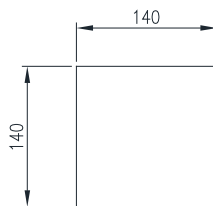
SIDE VIEW  
MAIN FRAME



BACKING FLANGE



SIDE VIEW



FRONT VIEW  
POLYCARBONATE WINDOW



SIDE VIEW