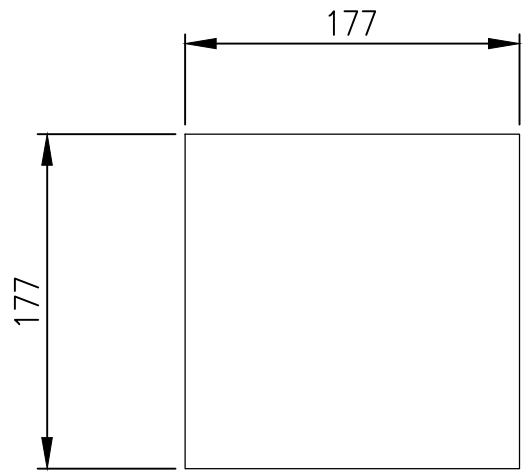
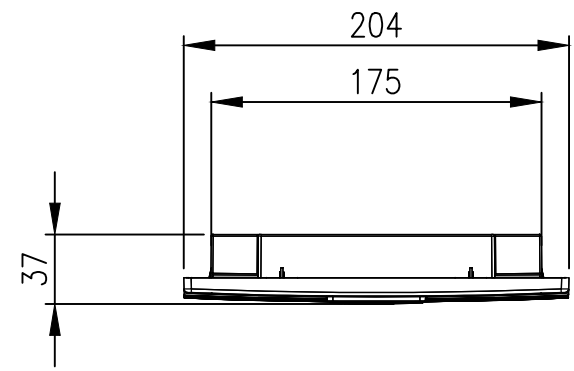


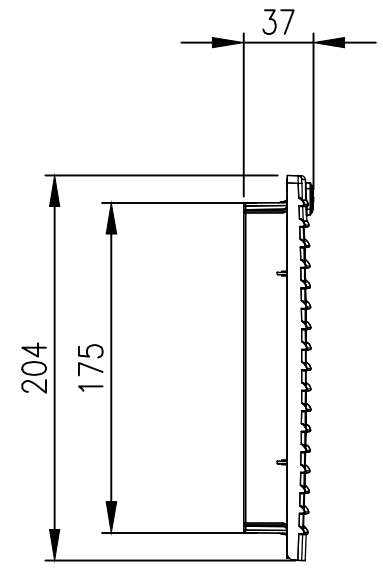
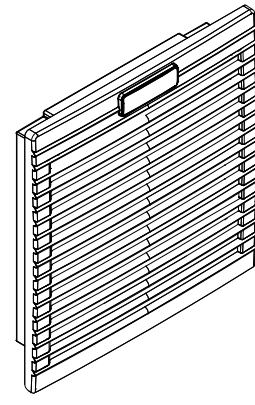
RevNo	Revision note	Date	Signature	Checked
0	GENERAL REVISION		IP	IP



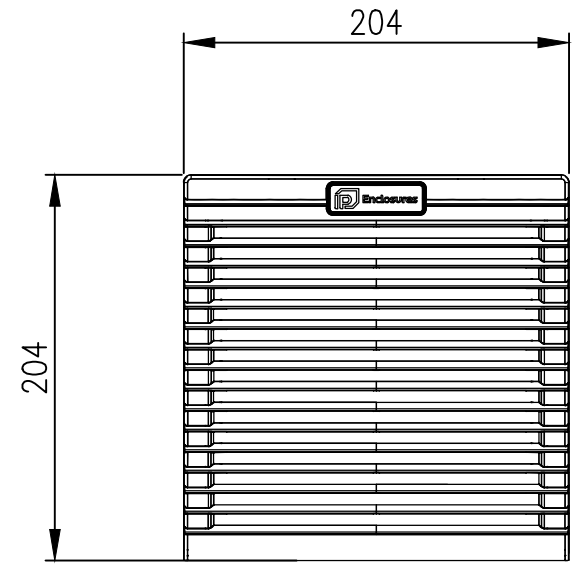
CUT-OUT DIMENSION



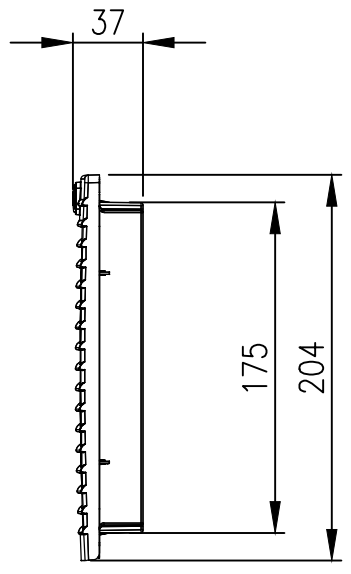
TOP VIEW



LEFT SIDE VIEW



FRONT VIEW



RIGHT SIDE VIEW

MATERIAL
 ALL MOLDED PARTS: ABS, UL94V-0
 WALL THICKNESS: 1.2-2.4mm
 GASKET: FOAM SEAL GASKET
 MOUNTING: FAST CLIP-ON
 FILTER MAT EN779: G3
 STANDARD COLOUR: RAL7035
 VENT DIMENSIONS: 204x204x37mm
 CUT-OUT DIMENSIONS: 177x177mm

MASS (WITH PACKAGING): 0.32(0.42)kg.

PROTECTION: IP54

© IP ENCLOSURES 2022.
 THIS DRAWING SHALL NOT BE COPIED OR REPRODUCED
 WITHOUT AUTHORISATION FROM IP ENCLOSURES.
 www.ipenclosures.com.au

Itemref	Quantity	Title/Name, designation, material, dimension etc	Article No./Reference
IP	IP	204x204x37 FILTER VENT	IP-V3000
Designed by	Checked by	Approved by - date	Filename
IP	IP		IP-V3000
			Date
			22/06/22
			Scale
			1:4
Edition			Sheet
0			1/1