

FILTER FANS

58m³/hr 150mm x 150mm

IP-V2248

48VDC

IP Enclosures provide a wide range of ventilation products for electrical enclosures. The front-opening grille allows filters to be easily maintained from the outside of the enclosure. All molded parts are made of highly resistant and self-extinguishing ABS. IP Enclosures ventilation products are manufactured to the highest quality in Italy.

Protection: IP54 (or IP55 if used with High Efficiency Filter Mat IP-VFXX or Vent Hood)

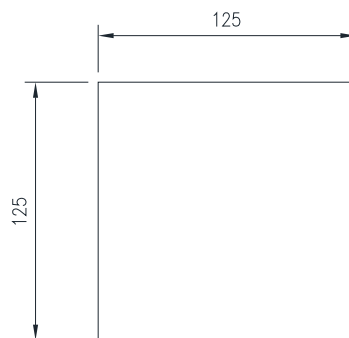
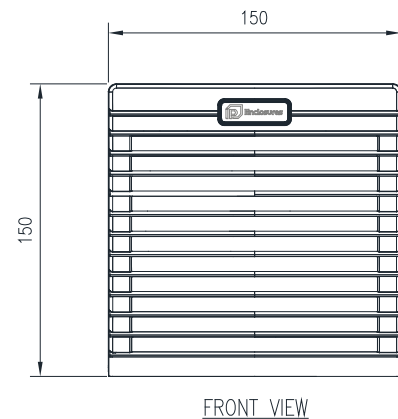
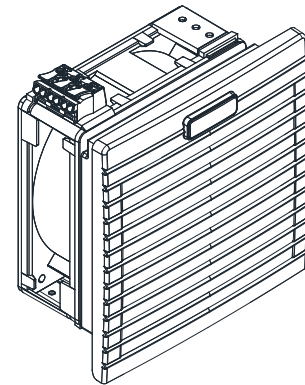
Conformity: 

Material: ABS UL94V-0 Colour RAL7035 (Optional Colour Black)

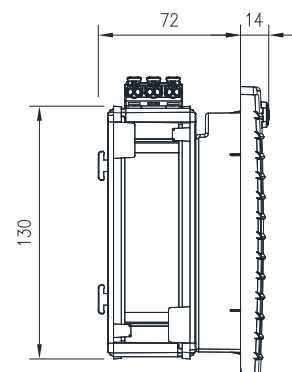
Flow Direction: Reversible

Features	Unit	IP-V2248
Air flow rate (free blow)	m ³ /h	58
Air flow rate with exit filter	m ³ /h	43
Power supply	V/Hz	48DC
Dimensions HxWxD	mm	150x150x86
Power consumption	W	9
Current consumption	A	0.27
Overcurrent protection	-	impedance
Electrical connection	-	2-poles spring terminals*
Duty cycle	-	100%
Operating temperature	°C (°F)	-10 / +70 (+14/+158)
Protection degree / Class	-	IP54 / Class I
Noise level	dB(A)	45
Flow direction	-	reversible, default factory setting outside-in
Bearing	-	ball
Filter mat EN779	-	G3
Cut-out Dimensions	mm	125x125
Service life (at 40°C)	hr	50 000
Material	-	ABS UL94V-0 Colour RAL7035
Replacement Filter Mat	-	-
High Efficiency Filter Mat (G3)	-	-
Wall thickness	mm	1.2 - 2.4
Gasket	-	foam seal gasket
Weight (with packaging)	kg	0.48 (0.55)
Package dimensions H x W x D	mm	165x165x90
Mounting	-	fast clip-on
Conformity/Certifications	-	CE, UKCA

*0.5-2.5mm²



CUT-OUT DIMENSION



LEFT SIDE VIEW

