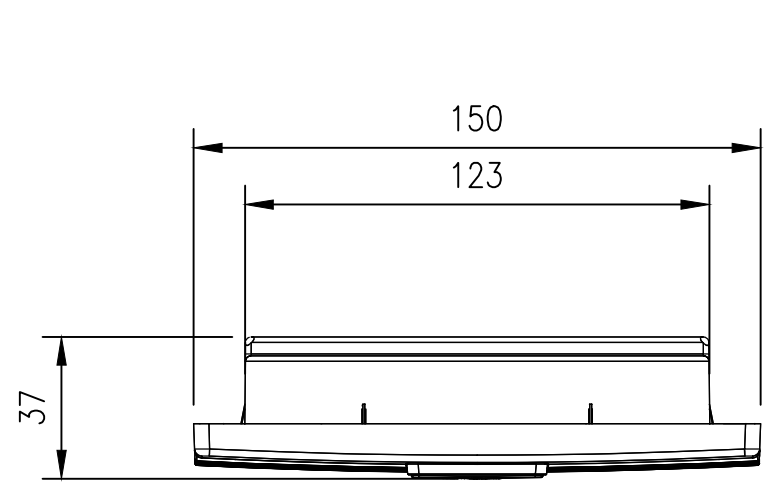
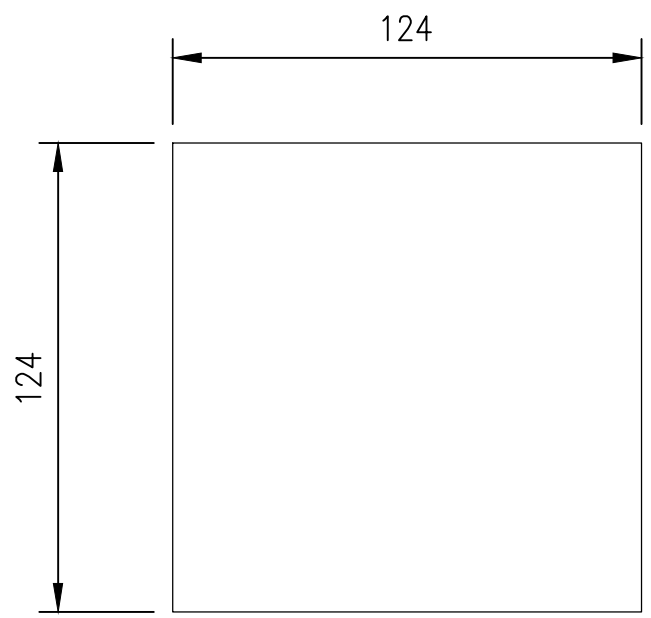


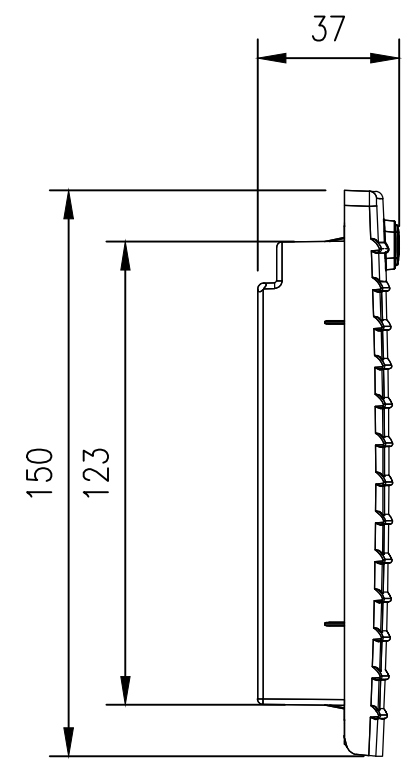
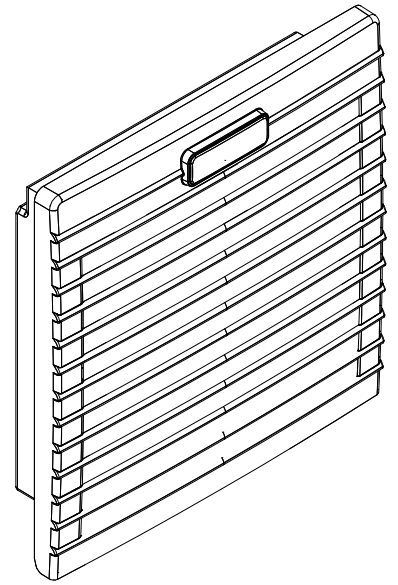
RevNo	Revision note	Date	Signature	Checked
0	GENERAL REVISION		IP	IP



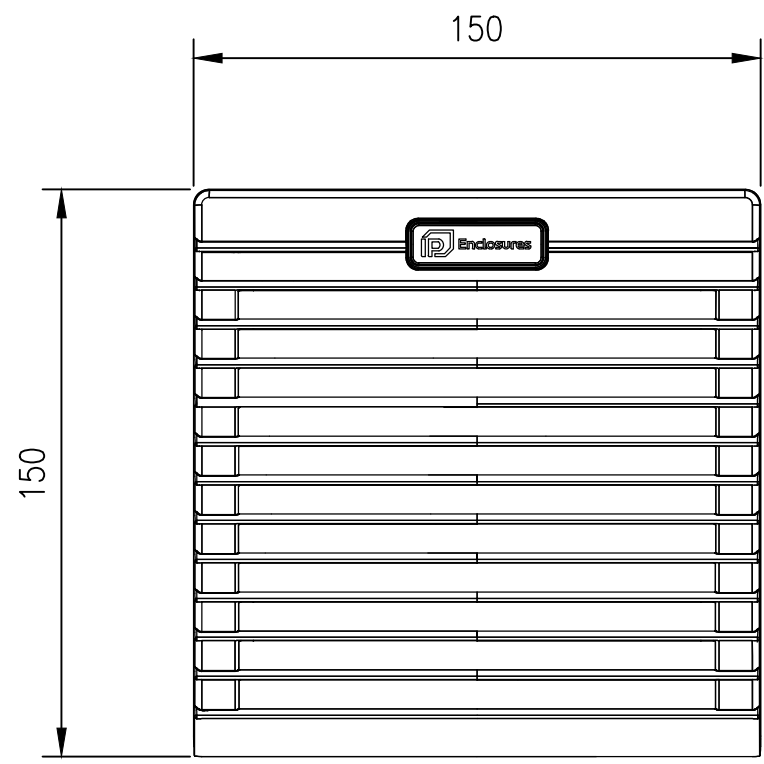
TOP VIEW



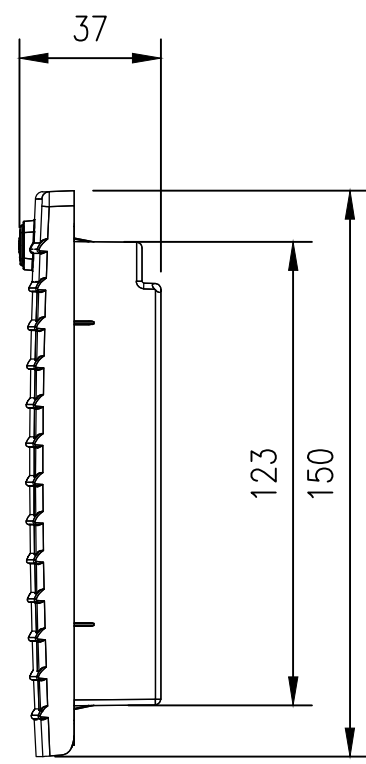
CUT-OUT DIMENSION



LEFT SIDE VIEW



FRONT VIEW



RIGHT SIDE VIEW

**MATERIAL**  
 ALL MOLDED PARTS: ABS, UL94V-0  
 WALL THICKNESS: 1.2-2.4mm  
 GASKET: FOAM SEAL GASKET  
 MOUNTING: FAST CLIP-ON  
 FILTER MAT EN779: G3  
 STANDARD COLOUR: RAL7035  
 VENT DIMENSIONS: 150Hx150Wx37Dmm  
 CUT-OUT DIMENSIONS: 124mmx124mm

MASS (WITH PACKAGING): 0.18(0.23)kg.

**PROTECTION:** IP54

© IP ENCLOSURES 2022.  
 THIS DRAWING SHALL NOT BE COPIED OR REPRODUCED  
 WITHOUT AUTHORISATION FROM IP ENCLOSURES.  
 www.ipenclosures.com.au

Itemref	Quantity	Title/Name, designation, material, dimension etc	Article No./Reference
Designed by IP	Checked by IP	Approved by - date IP-V2000	Date 21/06/22
			150x150x37 FILTER VENT
IP-V2000			Edition 0
			Scale 1:2
			Sheet 1/1