

Thermal Controller

IP-TC2

DIGITAL ELECTRONIC TEMPERATURE CONTROLLER

200-240V AC

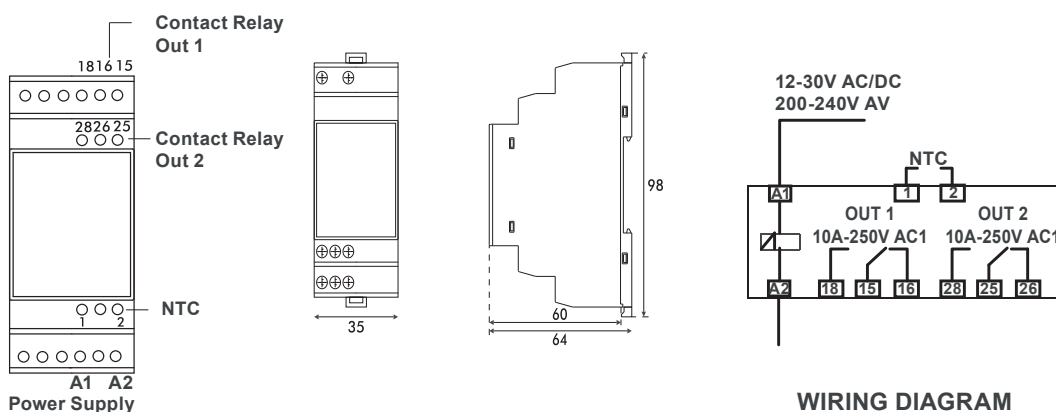
Compact size – 1 DIN module (17,5mm) or 2 DIN modules (35mm). Digital adjustment of temperature. Appropriate for temperature control inside electrical panel (fan and resistor control). NTC probe input, 1 or 2 relay outputs.

IP Enclosures provide a range of thermal control products for electrical enclosures. The range of controllers are suitable for use with IP Enclosures range of heating and cooling products. The range includes thermostats, hygrostats, electronic thermostat temperature controllers and fan speed controllers. IP Enclosures thermal control products are manufactured to the highest quality in Italy.

Standards (& Conformities): 2014/35/EU: IEC 60598-1, IEC 60730-1, IEC 60730-2-9
2014/30/EU: IEC 55014, IEC 61000-3-3, IEC 61000-3-2, RoHS



Features	Unit	IP-TC2
Power Supply	V	200-240V AC
Input	-	NTC (10k - 25°C)
Relay	-	2 SPDT outputs (10A-AC1)
Control	-	ON/OFF
Overall Accuracy	%	+ / - 0.5 Full scale
Display Resolution	-	1
Measurement Range	°C	NTC -20 ~ +65°C Probe on the controller / NTC -35 ~ +99°C external probe
Sampling Rate	Hz	12
Parameters Programming	-	By keyboard
Operating Temperature	°C (°F)	-20 / +65 (-4 / +149)
Operating Humidity (No Condensate)	RH%	30 ~ 95
Housing	-	Self-extinguishing plastic
Dimensions HxWxD	mm	35H x 64W x 98D - 2 DIN rail modules
Connections	-	2.5mm ² Screw terminal block
Mounting	-	Clip for mounting on DIN rail 35 mm EN50022
Weight (With Packaging)	Kg	0.070 (0.090)
Conformity / Certification	-	CE



Thermal Controller

IP-TC2

DIGITAL ELECTRONIC TEMPERATURE CONTROLLER

200-240V AC

STANDARDS, CONFORMITIES & CERTIFICATES:

Low Voltage Directive 2014/35/EU Compliance: IEC 60598-1, IEC 60730-1, IEC 60730-2-9

Electromagnetic Compatibility Directive 2014/30/EU Compliance: IEC 55014, IEC 61000-3-3, IEC 61000-3-2

CE Certificate of Compliance: Certificate SZT-24 MA 33485-1

Products are manufactured to Quality, Safety and Environmental Standards.