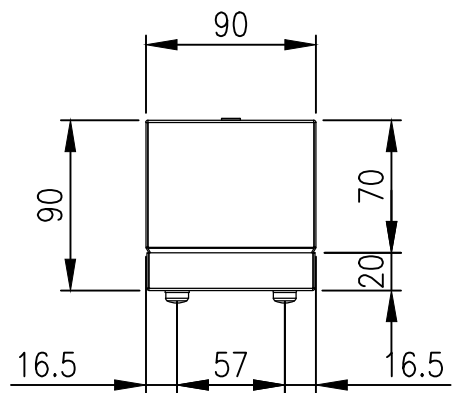
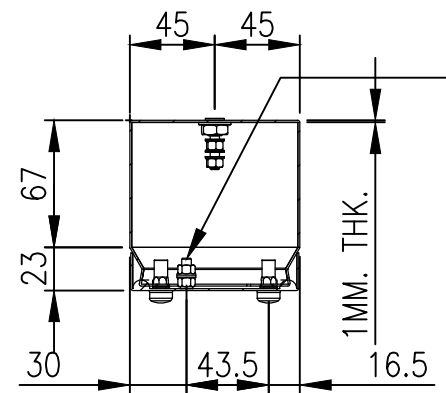


RevNo	Revision note	Date	Signature	Checked
0	GENERAL REVISION		IP	IP

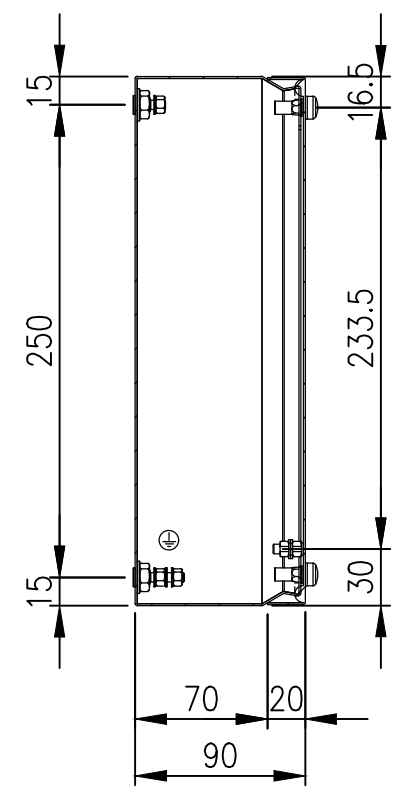


TOP VIEW

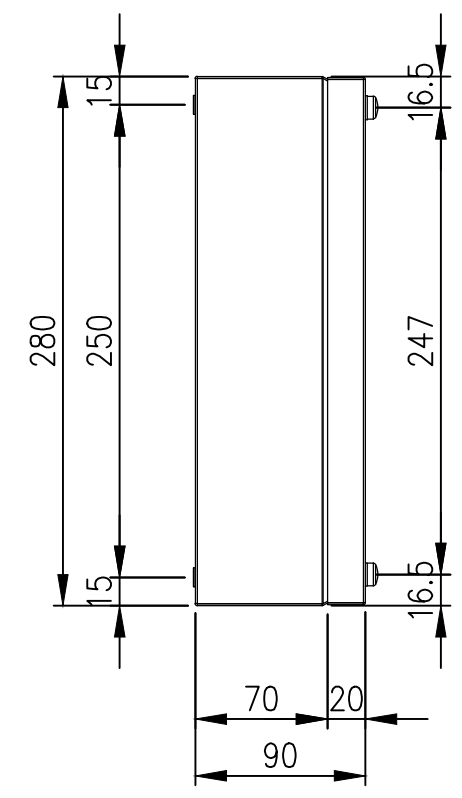


SECTION A-A

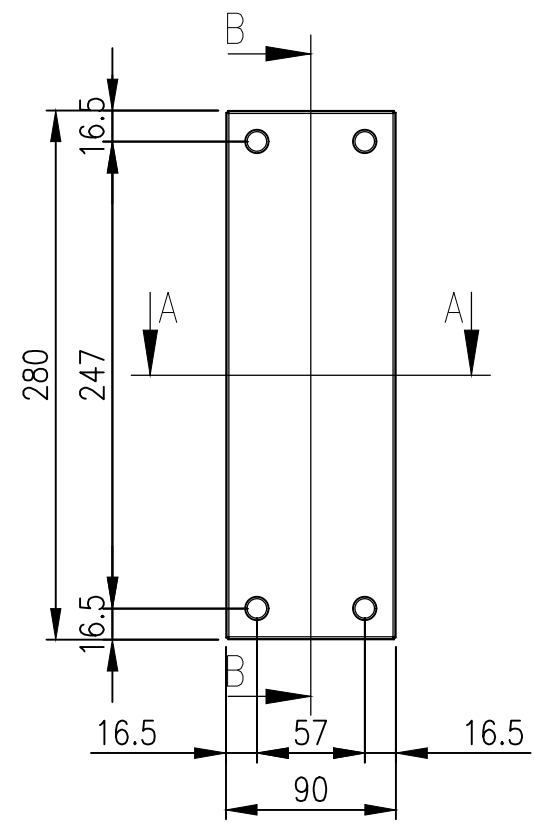
M5x15 THREADED BOLT (x1)



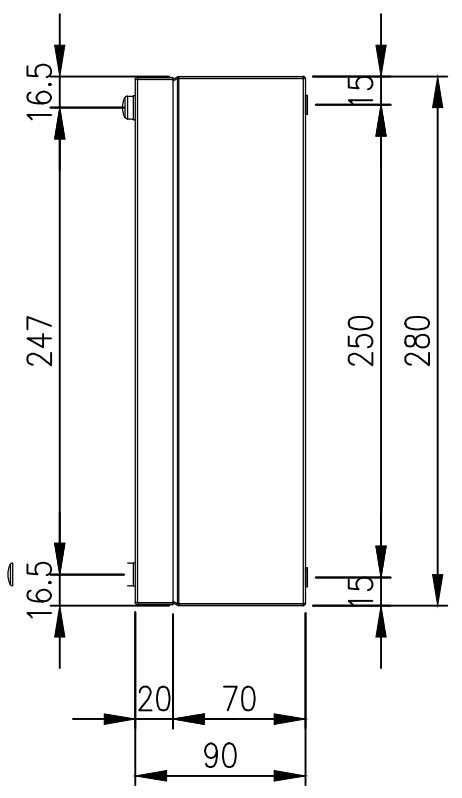
SECTION B-B



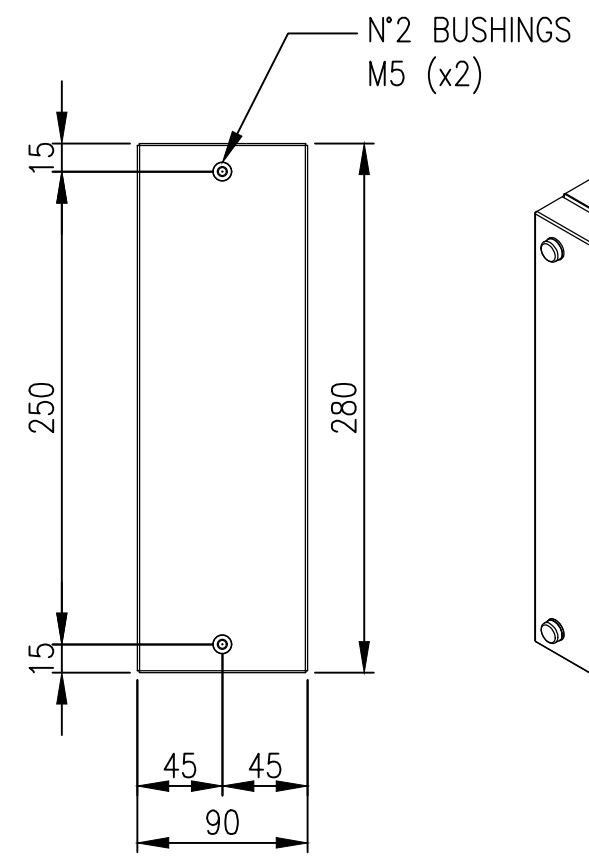
LEFT SIDE VIEW



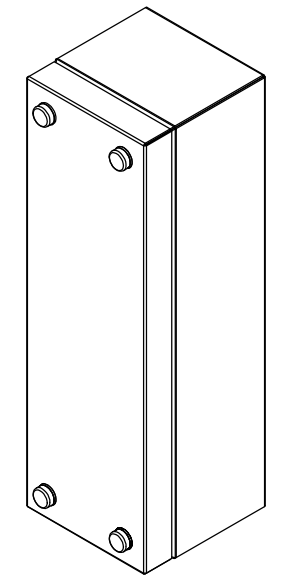
FRONT VIEW



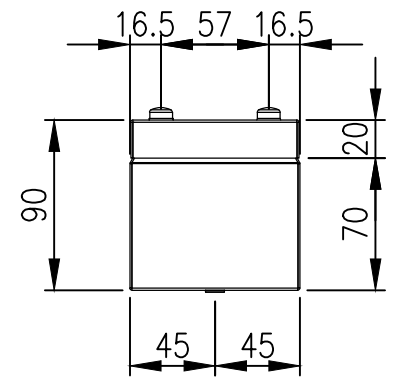
RIGHT SIDE VIEW



REAR VIEW



N°2 BUSHINGS M5 (x2)



BOTTOM VIEW

MATERIAL
 BODY: 1.0mm 316 STAINLESS STEEL
 DOOR: 1.0mm 316 STAINLESS STEEL
 SEAL: SILICONE

PROTECTION: IP66, NEMA 4x

© IP ENCLOSURES 2023.
 THIS DRAWING SHALL NOT BE COPIED OR REPRODUCED
 WITHOUT AUTHORISATION FROM IP ENCLOSURES.
 www.ipenclosures.com.au

Itemref	Quantity	Title/Name, designation, material, dimension etc	Article No./Reference
IP	1	280x90x90 316SS TERMINAL BOX	IP-SST280909
Designed by	Checked by	Approved by - date	Filename
IP	IP	22/05/23	IP-SST280909
Date	Scale	Edition	Sheet
22/05/23	1:4	0	1/1