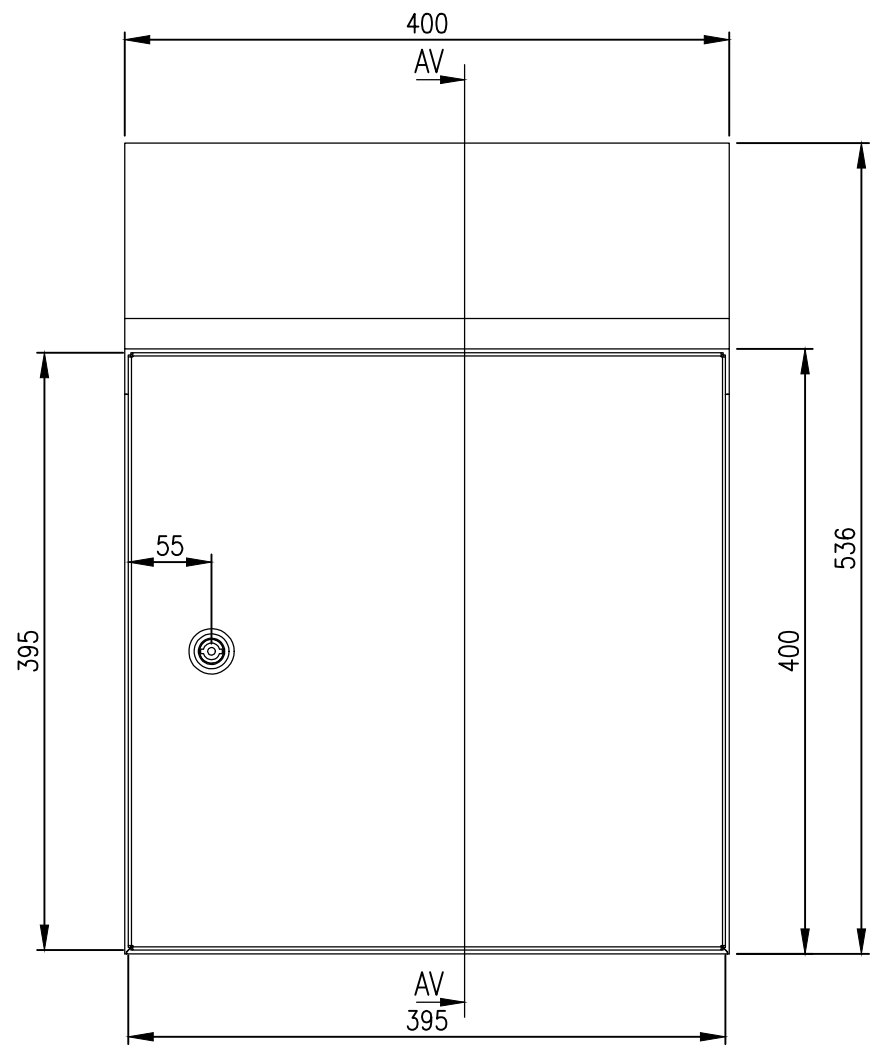
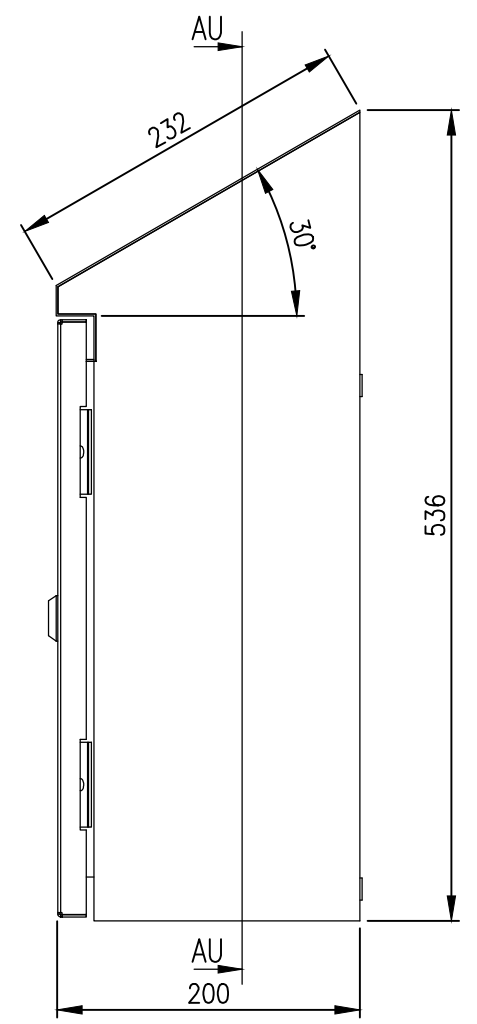


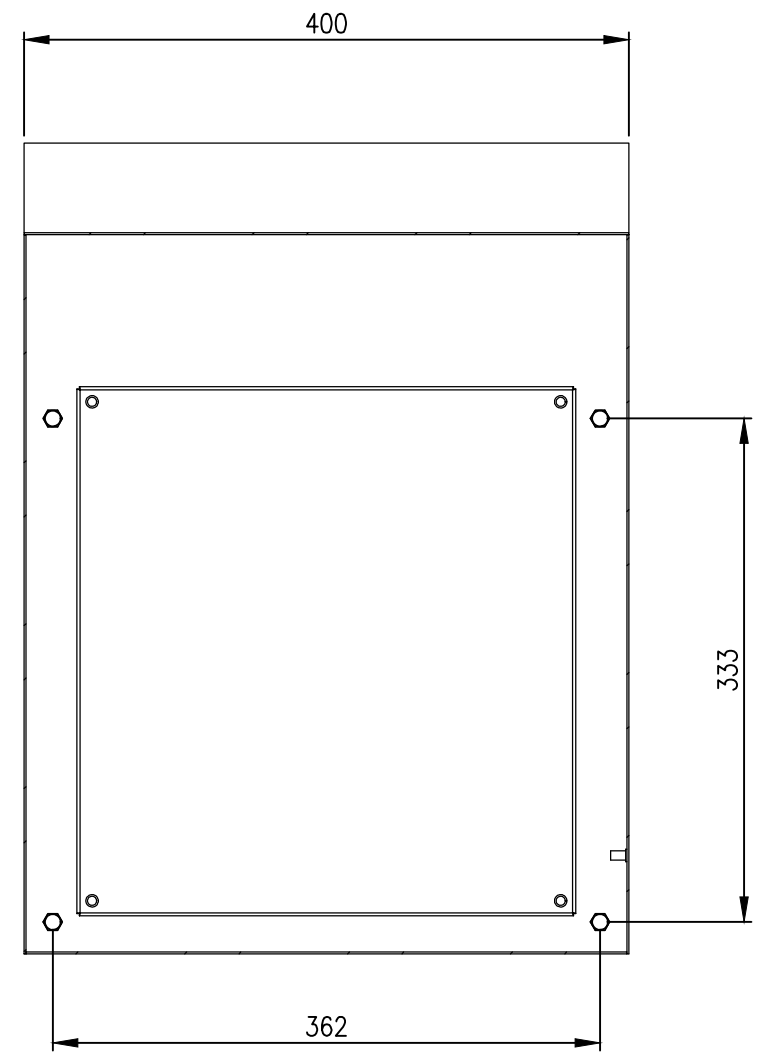
SECTION AV-AV



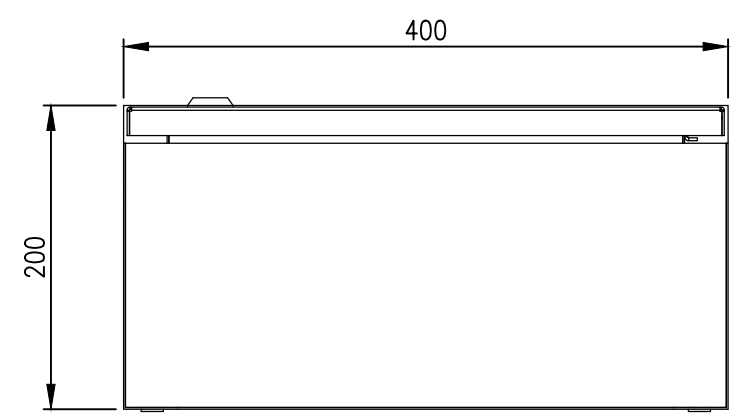
FRONT VIEW



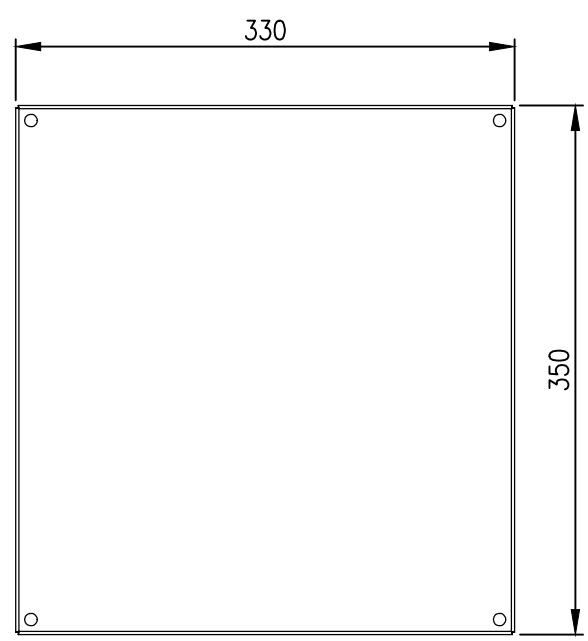
RIGHT SIDE VIEW



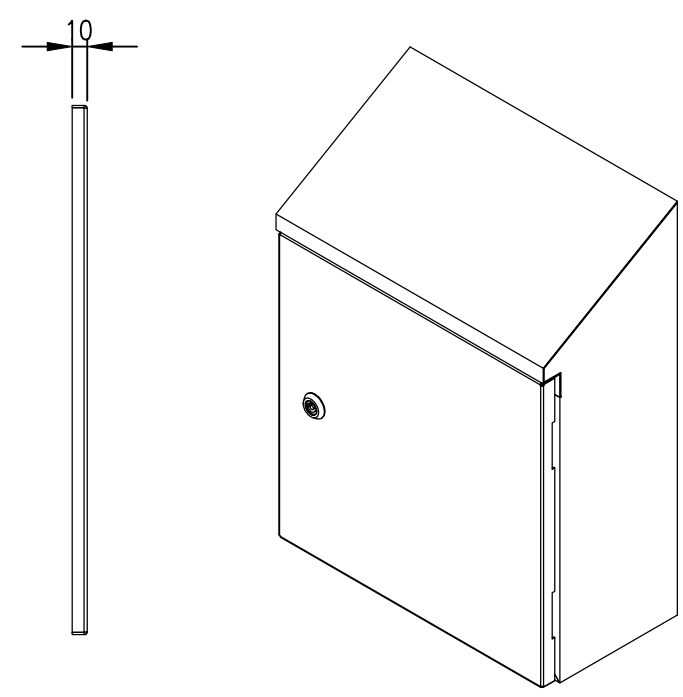
SECTION AU-AU



BOTTOM VIEW



DEVICE MOUNTING PLATE



**MATERIAL**  
 BODY: 1.2mm GALVANISED STEEL SHEET  
 DOOR: 1.2mm GALVANISED STEEL SHEET  
 MOUNTING PLATE: GALVANISED STEEL SHEET  
 SEAL: POLYURETHANE  
 COLOUR: RAL2000 ORANGE

PROTECTION: IP66 IK10, NEMA 4  
 STANDARD: IEC62208, IEC/EN/AS60529

© IP ENCLOSURES 2023.  
 THIS DRAWING SHALL NOT BE COPIED OR REPRODUCED WITHOUT  
 AUTHORISATION FROM IP ENCLOSURES.  
 www.ipenclosures.com.au

Itemref	Quantity	Title/Name, designation, material, dimension etc			Article No./Reference
IP	1	400x400x200 STEEL SLOPING ROOF ENCLOSURE	IP-SSR404020-OR	23/01/23	1:5
Designed by	Checked by	Approved by - date	Filename	Date	Scale
IP	IP	23/01/23	IP-SSR404020-OR	23/01/23	1:5
Edition			Sheet		
0			1/1		

