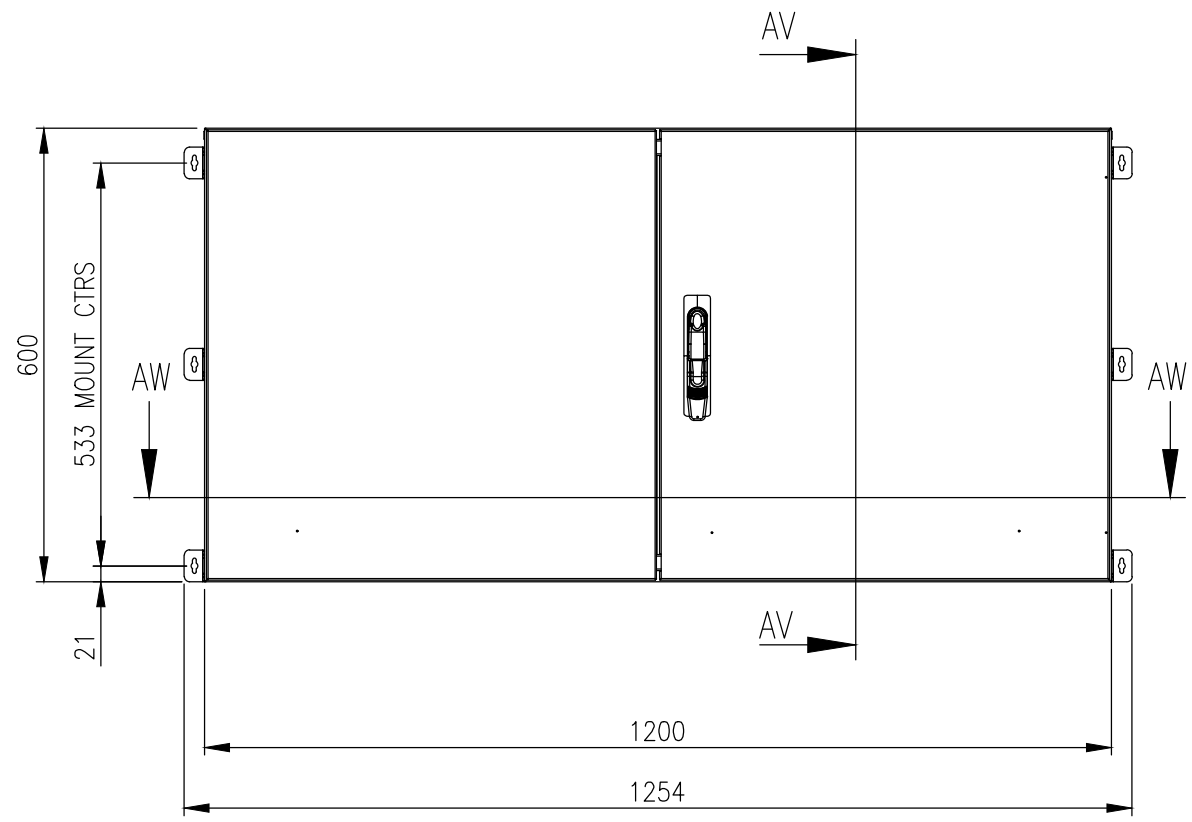
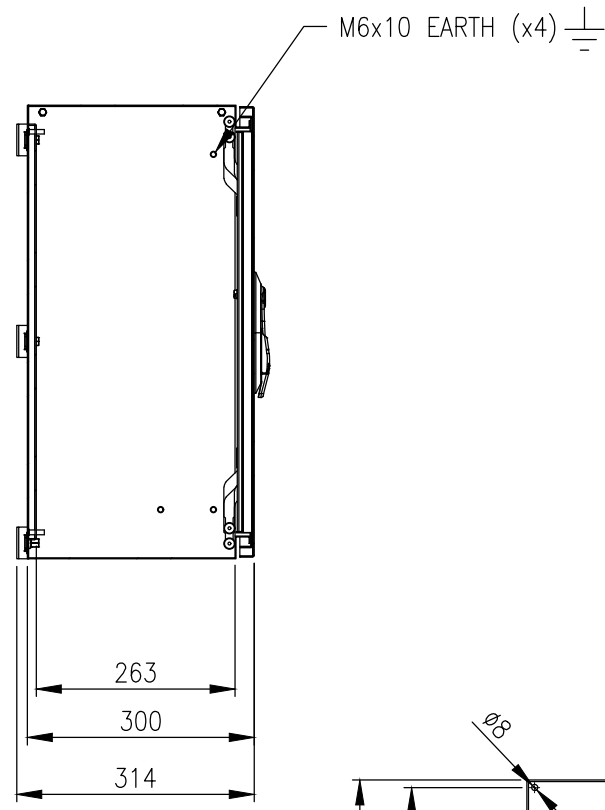


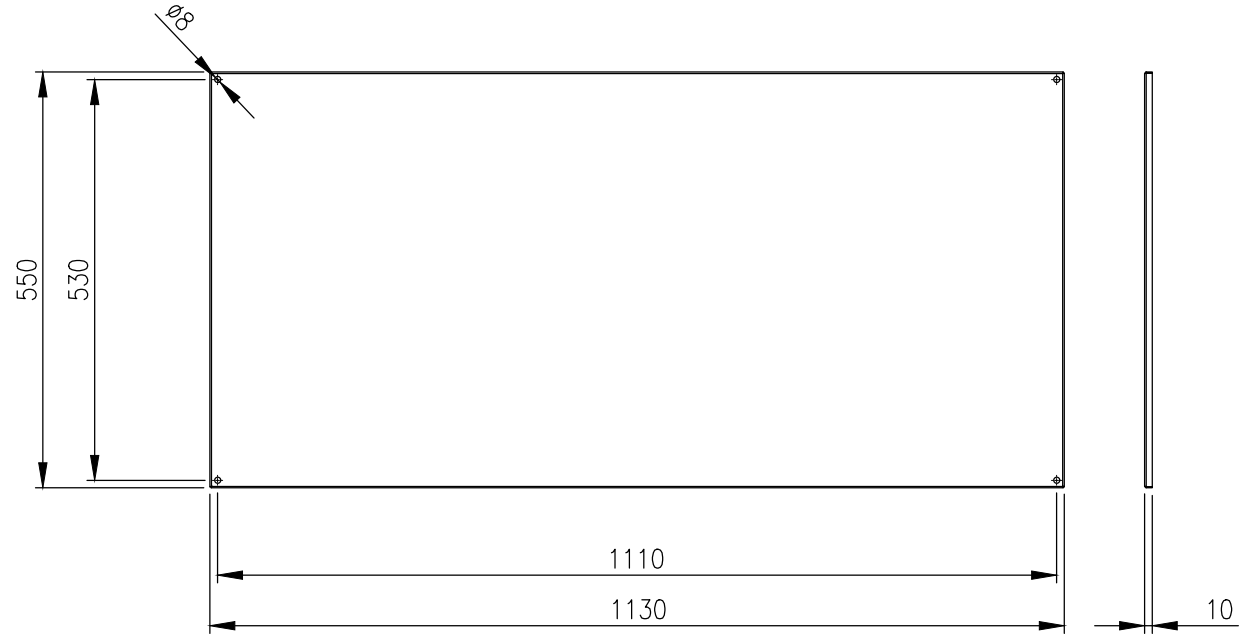
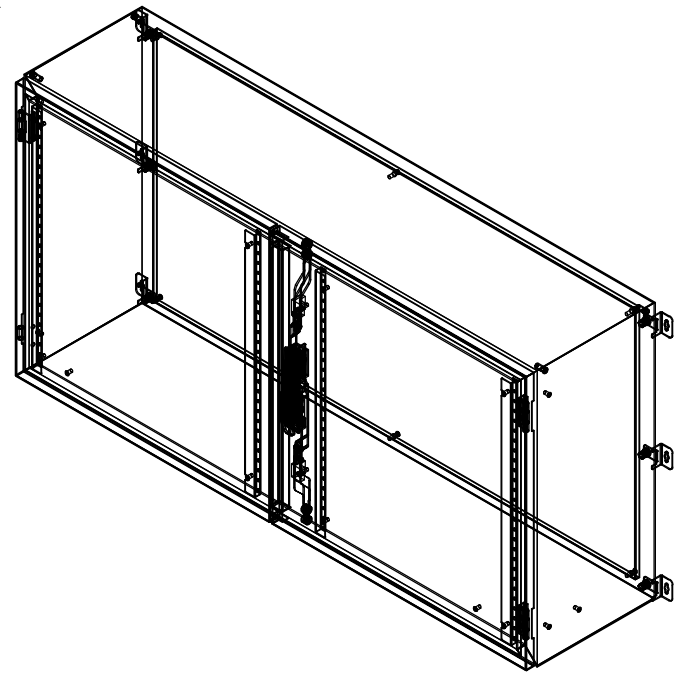
RevNo	Revision note	Date	Signature	Checked
1	GENERAL REVISION	19/12/25	IP	IP



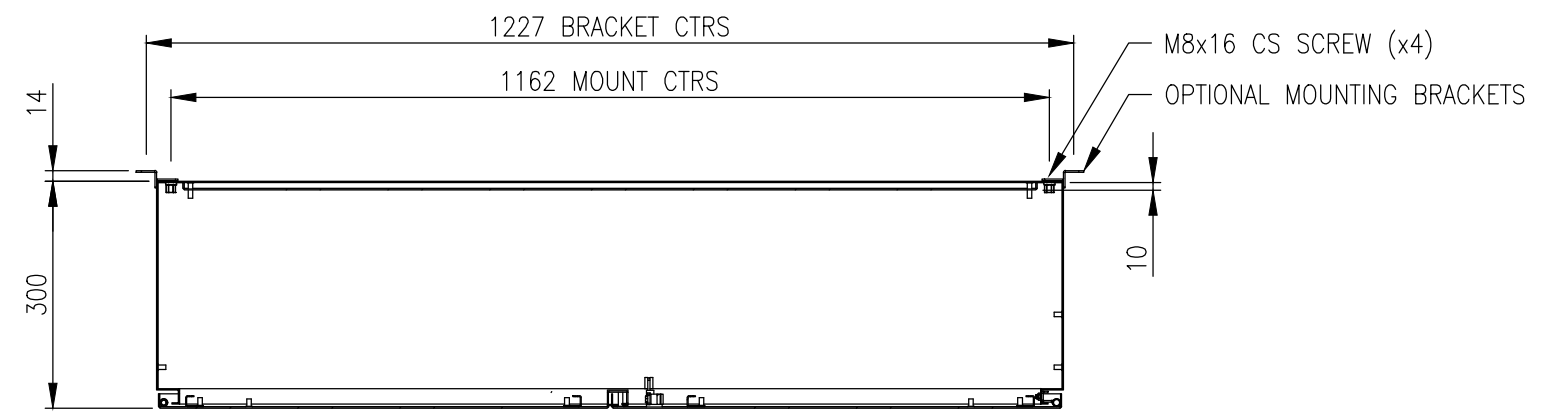
FRONT VIEW



SECTION AV-AV



DEVICE MOUNTING PLATE



SECTION AW-AW

**MATERIAL**  
 BODY: 1.5mm GRADE 316L STAINLESS STEEL  
 DOOR: 1.5mm GRADE 316L STAINLESS STEEL  
 DEVICE PLATE: 1.5mm GALVANISED STEEL SHEET  
 SEAL: POLYURETHANE

**MASS:** 42.0kg

**PROTECTION:** IP66 IK10 (NEMA 4x)  
**STANDARD:** IEC/EN62208, IEC/EN/AS60529

© IP ENCLOSURES 2016.  
 THIS DRAWING SHALL NOT BE COPIED OR REPRODUCED  
 WITHOUT AUTHORISATION FROM IP ENCLOSURES.  
 www.ipenclosures.com.au

**IMPORTANT NOTE:**  
 WALL MOUNTING BRACKETS ARE NOT INCLUDED  
 AND MUST BE ORDERED SEPARATELY.

Itemref	Quantity	Title/Name, designation, material, dimension etc	Article No./Reference
Designed by IP	Checked by IP	Approved by - date 16/07/19	Filename IP-SSL6012030 Date 16/07/19 Scale 1:10
		600x1200x300 316SS ENCLOSURE	
		IP-SSL6012030	Edition 1 Sheet 1/1