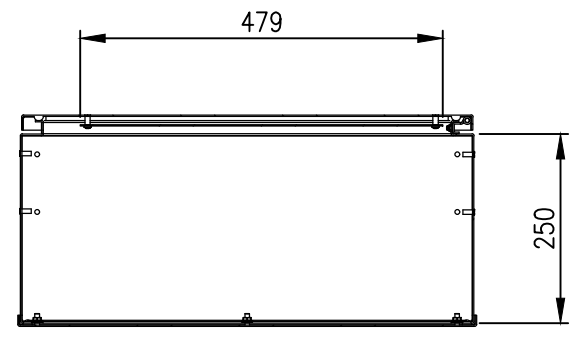
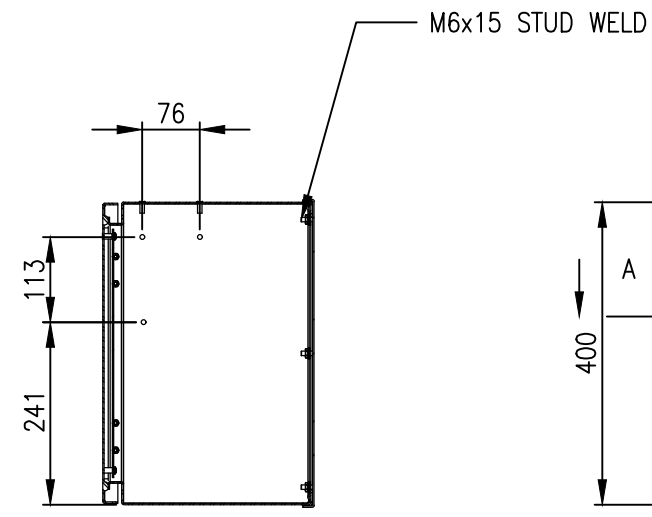


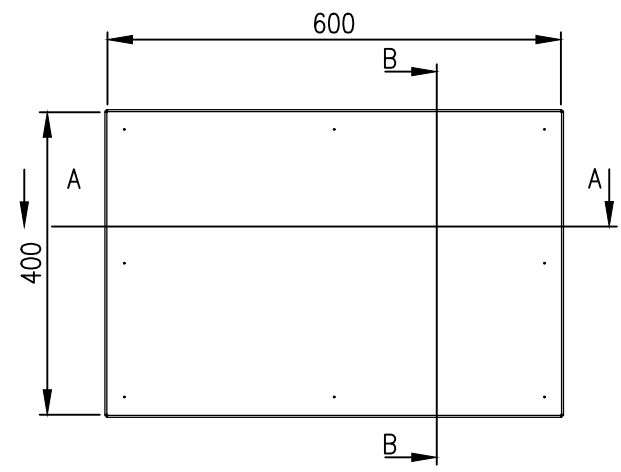
TOP VIEW



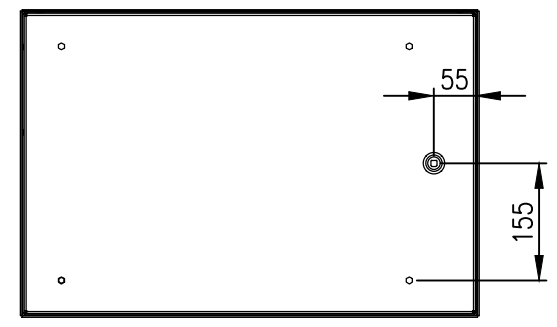
SECTION A-A



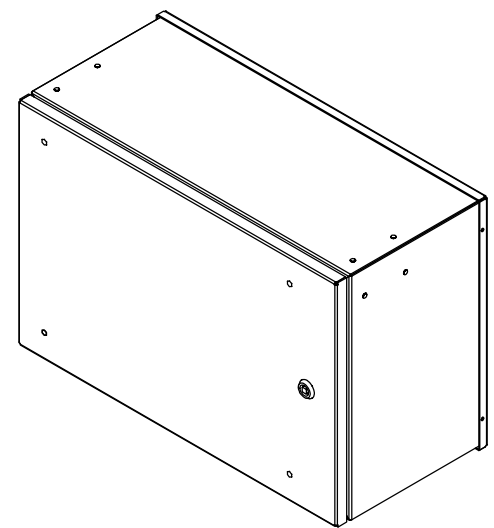
SECTION B-B



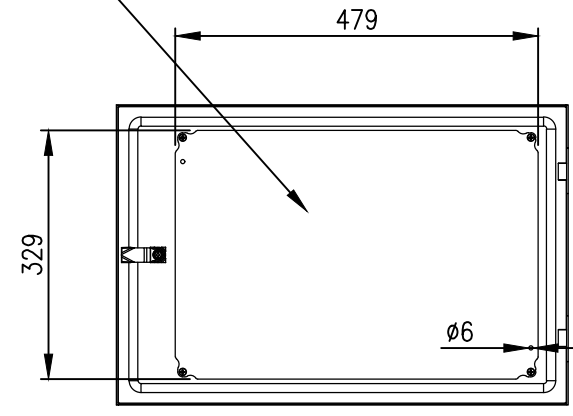
FRONT VIEW



REAR VIEW



DEVICE MOUNTING PLATE



REAR-DOOR INTERIOR VIEW

MATERIAL:  
ENCLOSURE BODY: 2.0mm 316 STAINLESS STEEL  
ENCLOSURE DOOR: 316 STAINLESS STEEL  
ENCLOSURE FRONT PANEL: 316 STAINLESS STEEL  
ENCLOSURE SEAL: POLYURETHANE

PROTECTION: IP66  
STANDARD: AS/EN/IEC60529

© IP ENCLOSURES 2022.  
THIS DRAWING SHALL NOT BE COPIED OR REPRODUCED WITHOUT  
AUTHORISATION FROM IP ENCLOSURES.  
www.ipenclosures.com.au

| Itemref           | Quantity         | Title/Name, designation, material, dimension etc | Article No./Reference      |
|-------------------|------------------|--|----------------------------|
| Designed by<br>IP | Checked by<br>IP | Approved by - date<br>15/08/22                   | Filename<br>IP-SSHMI406025 |
| Date<br>15/08/22  |                  | Scale<br>1:10                                    |                            |
| Edition<br>0      |                  | Sheet<br>1/1                                     |                            |

400Hx600Wx250D 316SS HMI ENCLOSURE  
IP-SSHMI406025

