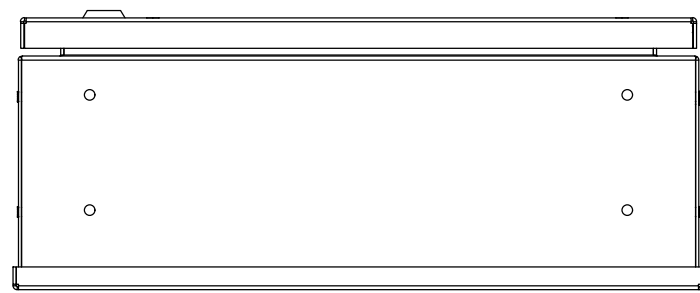
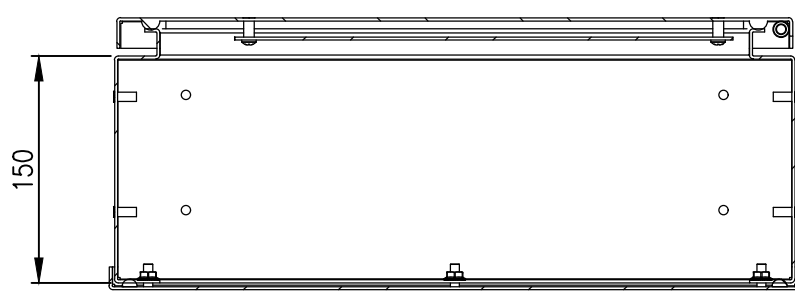


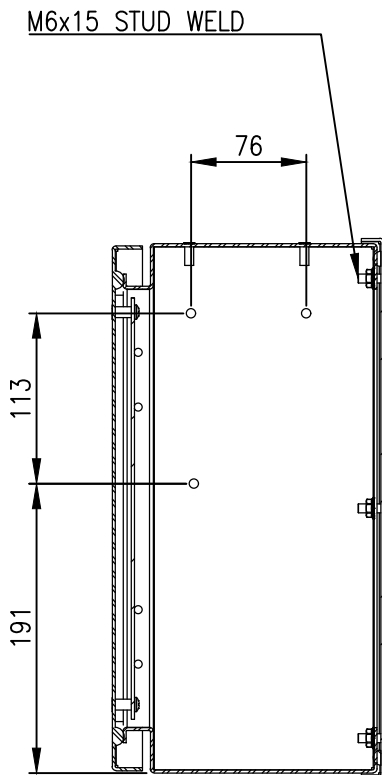
| RevNo | Revision note | Date | Signature | Checked |
|-------|------------------|------|-----------|---------|
| 0 | GENERAL REVISION | | IP | IP |



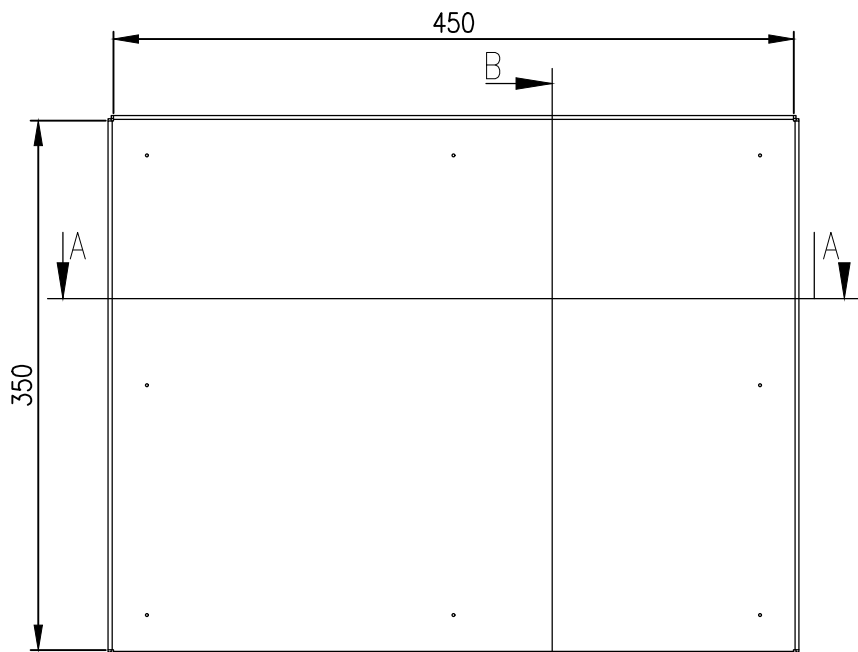
TOP VIEW



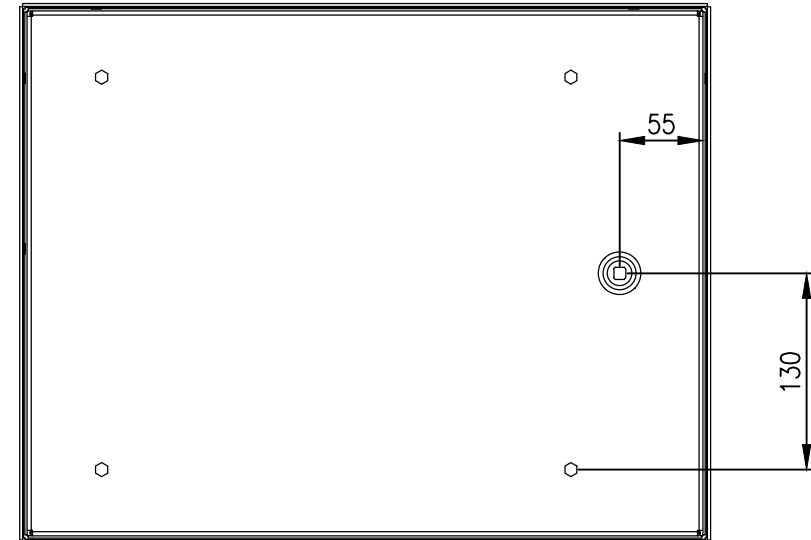
SECTION A-A



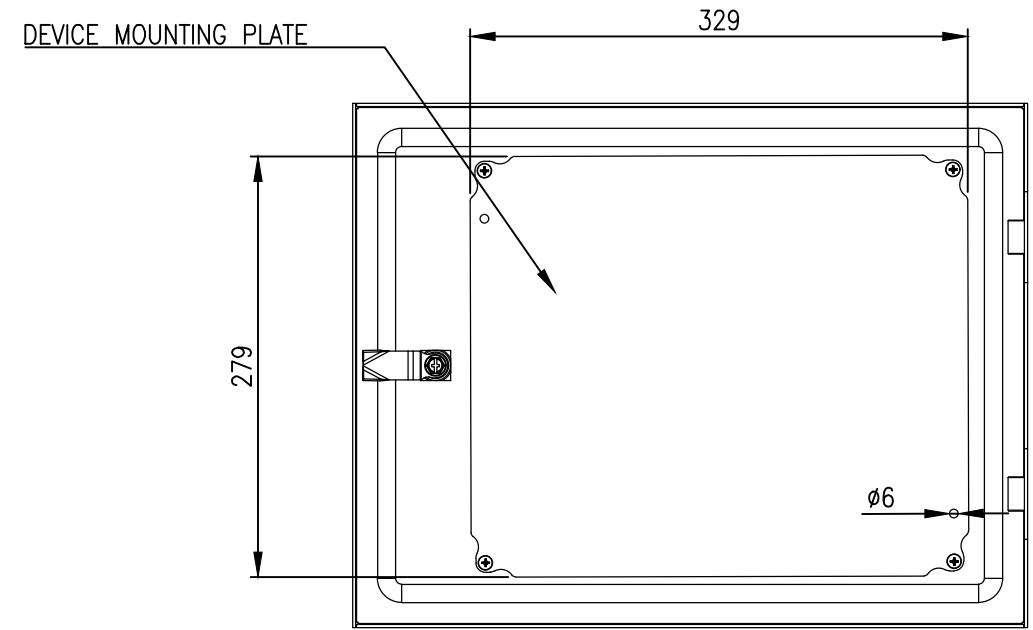
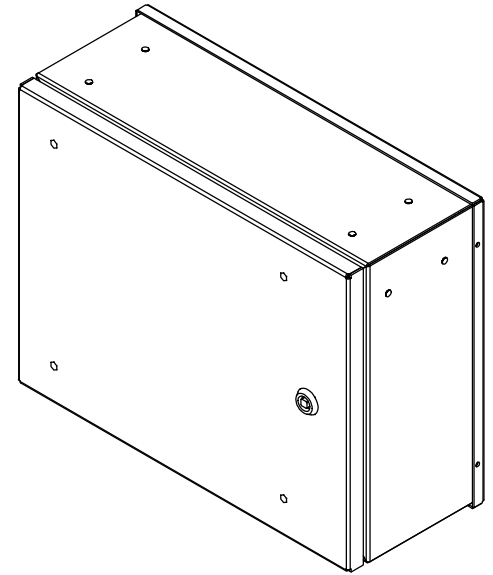
SECTION B-B



FRONT VIEW



REAR VIEW



DOOR-INTERIOR VIEW

MATERIAL
ENCLOSURE BODY: 2.0mm 316 STAINLESS STEEL
ENCLOSURE DOOR: 316 STAINLESS STEEL
ENCLOSURE FRONT PANEL: 316 STAINLESS STEEL
ENCLOSURE SEAL: POLYURETHANE

PROTECTION: IP66
STANDARD: AS/EN/IEC60529

© IP ENCLOSURES 2022.
THIS DRAWING SHALL NOT BE COPIED OR REPRODUCED WITHOUT
AUTHORISATION FROM IP ENCLOSURES.
www.ipenclosures.com.au

| Itemref | Quantity | Title/Name, designation, material, dimension etc | Article No./Reference |
|-------------------|------------------|--|------------------------------------|
| Designed by IP | Checked by IP | Approved by - date 15/08/22 | Filename IP-SSHMI354515 |
| | | Date 15/08/22 | Scale 1:5 |
| | | | 350Hx450Wx150D 316SS HMI ENCLOSURE |
| IP-SSHMI354515 | | | Edition 0 |
| | | | Sheet 1/1 |