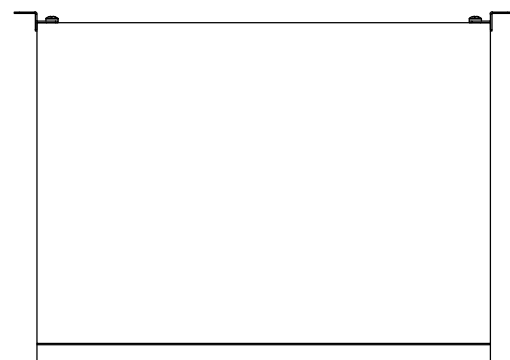
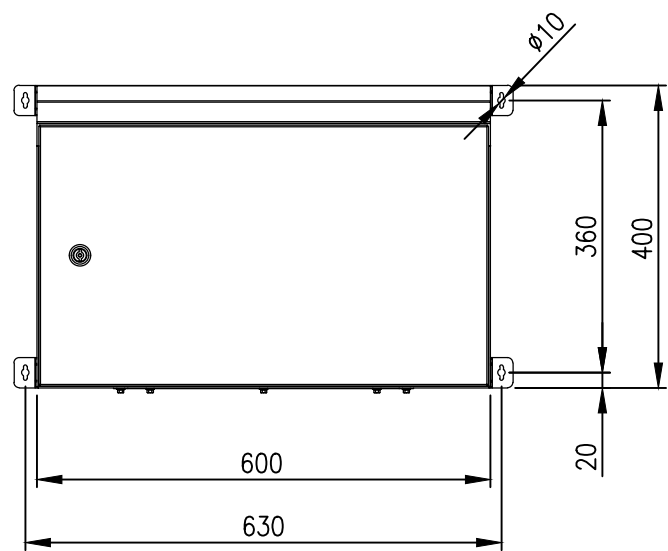
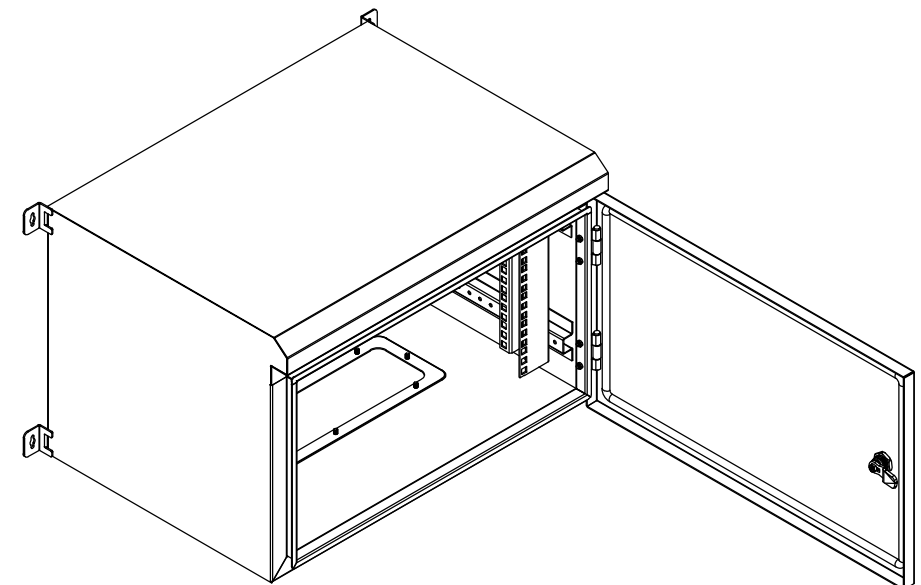


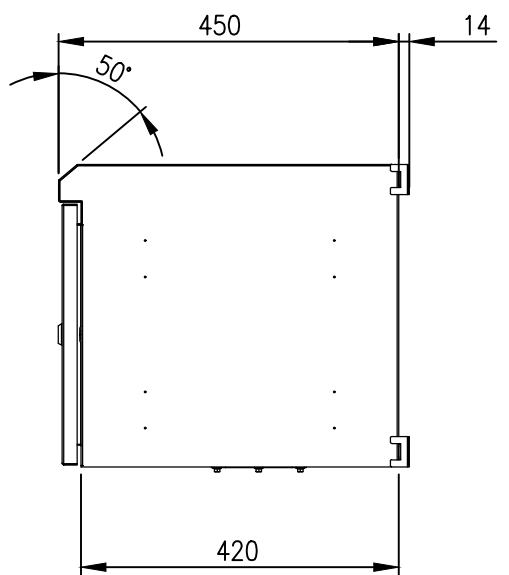
RevNo	Revision note	Date	Signature	Checked
1	GENERAL REVISION	15/11/22	IP	IP



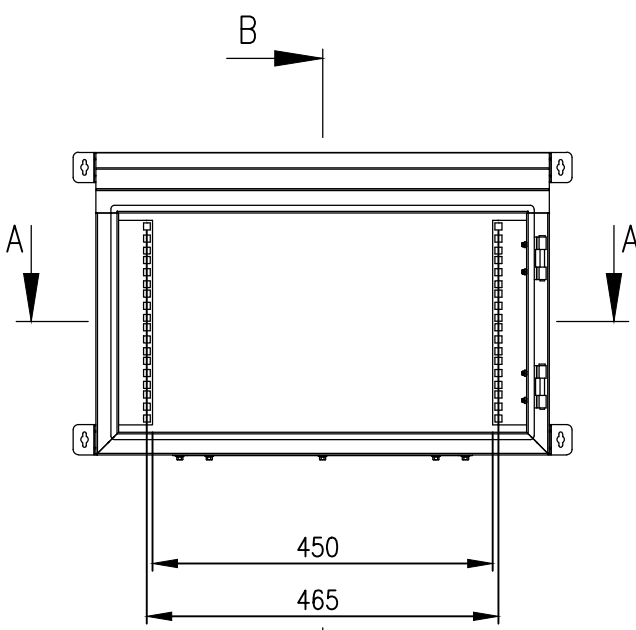
PLAN



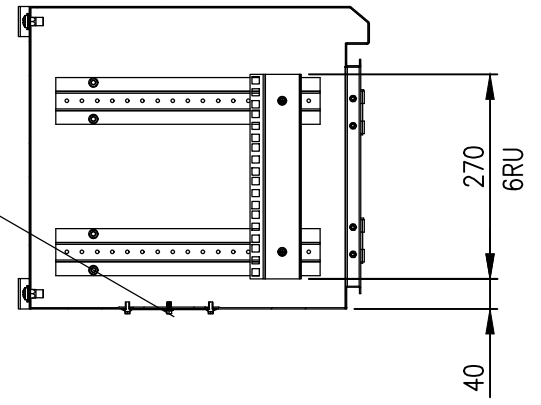
FRONT VIEW



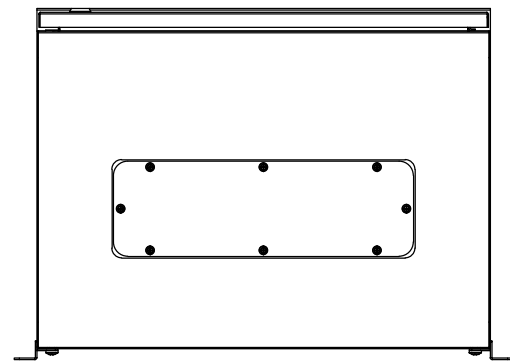
SIDE VIEW



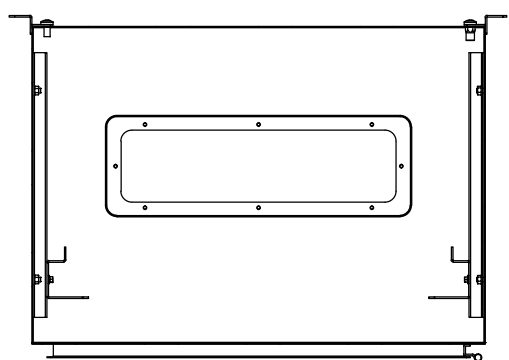
FRONT VIEW - DOOR REMOVED



SECTION BB



BOTTOM VIEW



SECTION AA

**MATERIAL**  
 BODY: 1.5mm GRADE 316 STAINLESS STEEL  
 DOOR: 1.5mm GRADE 316 STAINLESS STEEL  
 19" RAILS: 1.5mm GALVANISED STEEL SHEET  
 SEAL: POLYURETHANE

**PROTECTION:** IP66 IK10  
**STANDARD:** EIA-310-D, IEC/EN/AS60529

© IP ENCLOSURES 2016.  
 THIS DRAWING SHALL NOT BE COPIED OR REPRODUCED  
 WITHOUT AUTHORISATION FROM IP ENCLOSURES.  
 www.ipenclosures.com.au

Itemref	Quantity	Title/Name, designation, material, dimension etc	Article No./Reference
Designed by IP	Checked by IP	Approved by - date 03/08/21	Filename IP-SSDW6U45
		Date 03/08/21	Scale 1:10
			316SS 6U 19" DATA RACK 450 DEEP
IP-SSDW6U45			Edition 0
			Sheet 1/1