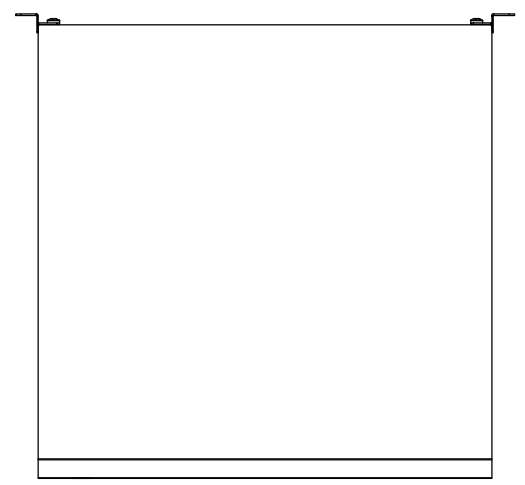
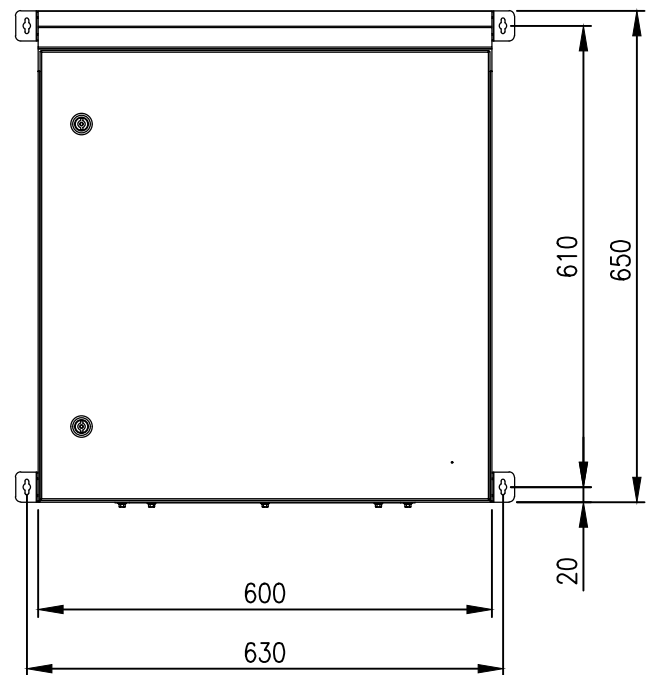


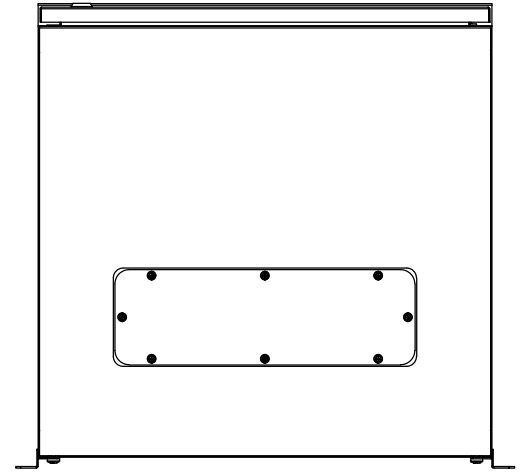
RevNo	Revision note	Date	Signature	Checked
1	GENERAL REVISION	15/11/22	IP	IP



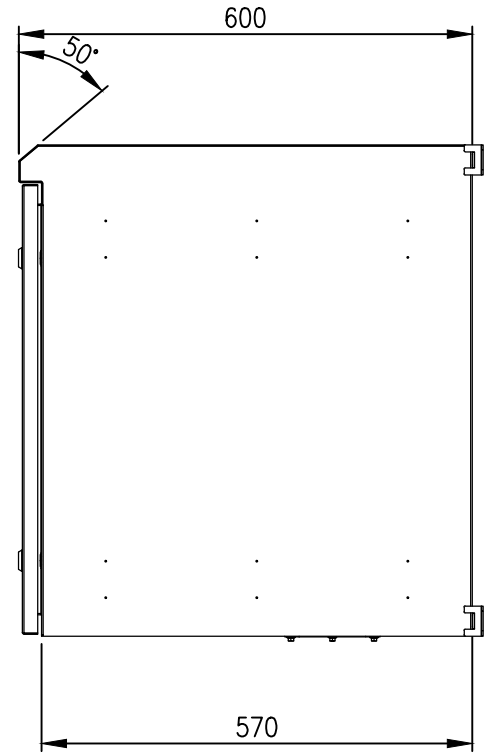
PLAN



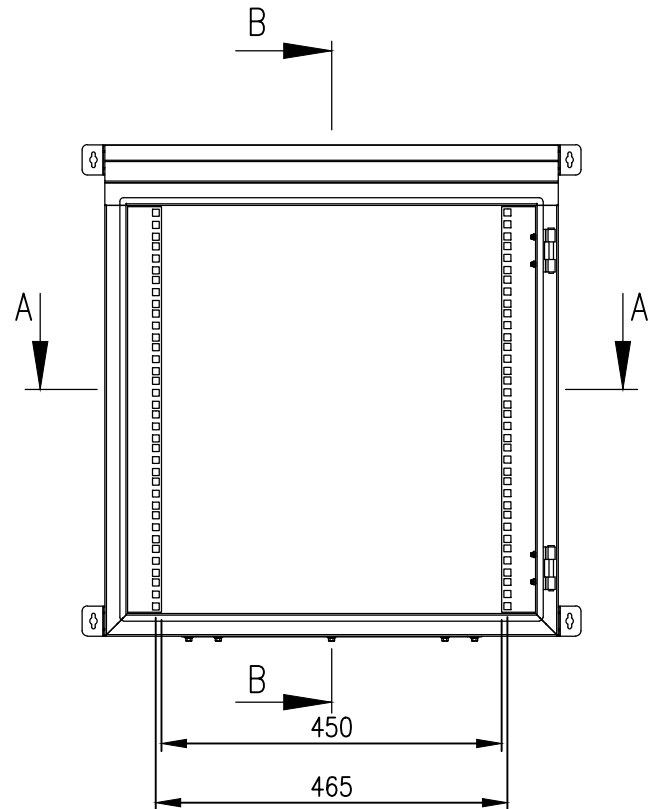
FRONT VIEW



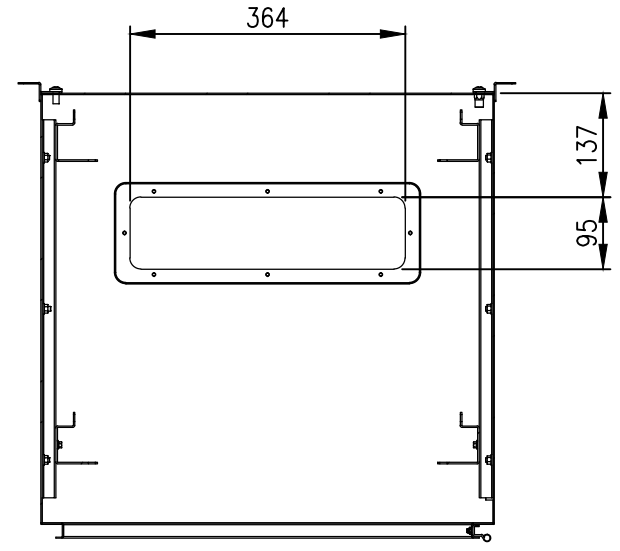
BOTTOM VIEW



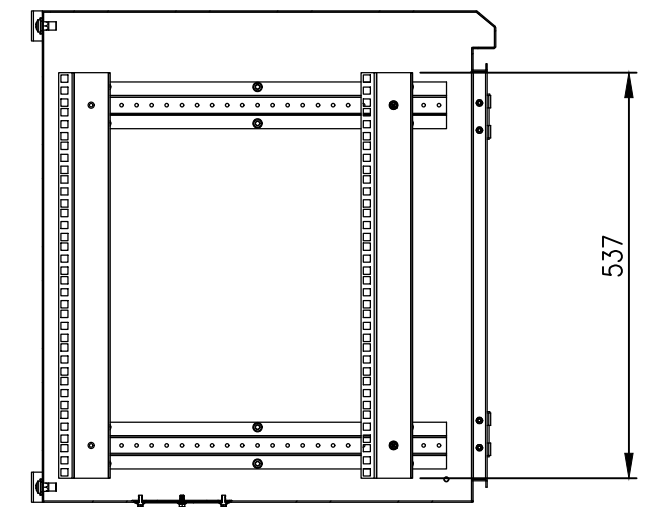
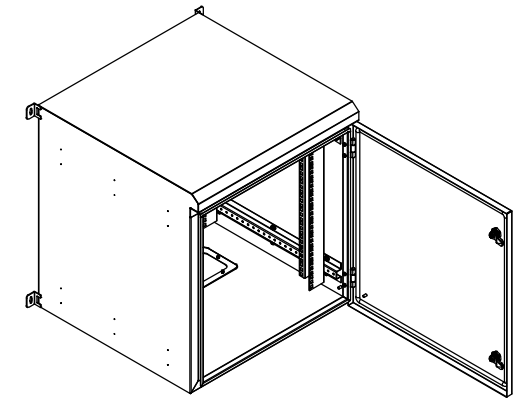
SIDE VIEW



FRONT VIEW - DOOR REMOVED



SECTION AA



SECTION BB

**MATERIAL**  
 BODY: 1.5mm GRADE 316 STAINLESS STEEL  
 DOOR: 1.5mm GRADE 316 STAINLESS STEEL  
 19" RAILS: 1.5mm GALVANISED STEEL SHEET  
 SEAL: POLYURETHANE

**PROTECTION:** IP66 IK10  
**STANDARD:** EIA-310-D, IEC/EN/AS60529

© IP ENCLOSURES 2016.  
 THIS DRAWING SHALL NOT BE COPIED OR REPRODUCED  
 WITHOUT AUTHORISATION FROM IP ENCLOSURES.  
 www.ipenclosures.com.au

Itemref	Quantity	Title/Name, designation, material, dimension etc	Article No./Reference
Designed by	Checked by	Approved by - date	Filename
IP	IP	03/08/21	IP-SSDW12U60
Date	Scale	316SS 12U 19" DATA RACK 600 DEEP	
03/08/21	1:10	IP-SSDW12U60	Edition 1
		Sheet 1/1	

