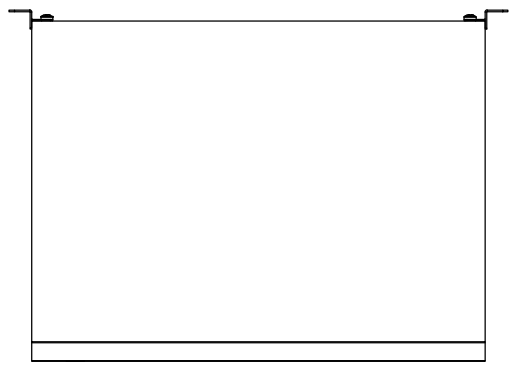
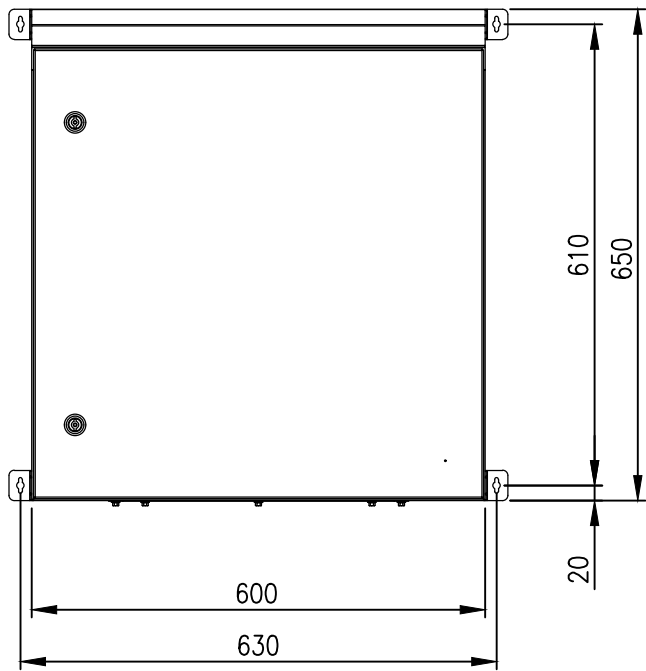
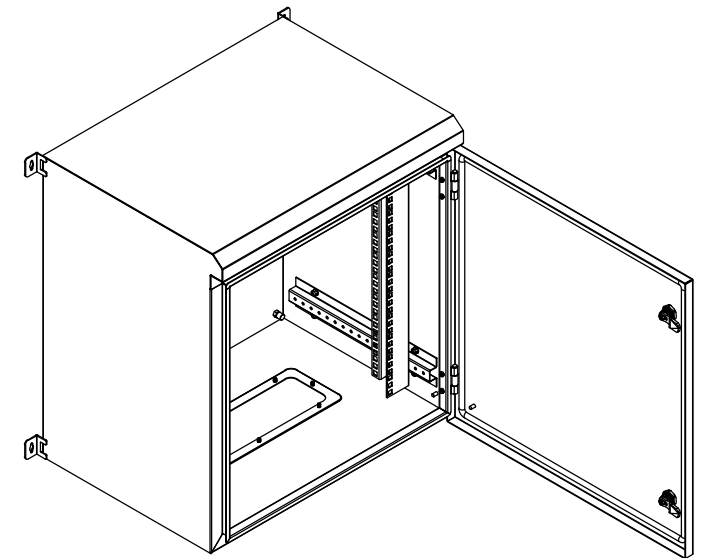


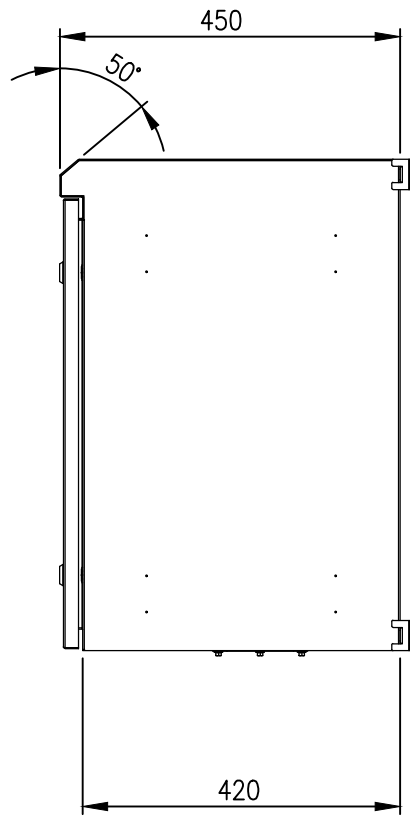
RevNo	Revision note	Date	Signature	Checked
1	GENERAL REVISION	15/11/22	IP	IP



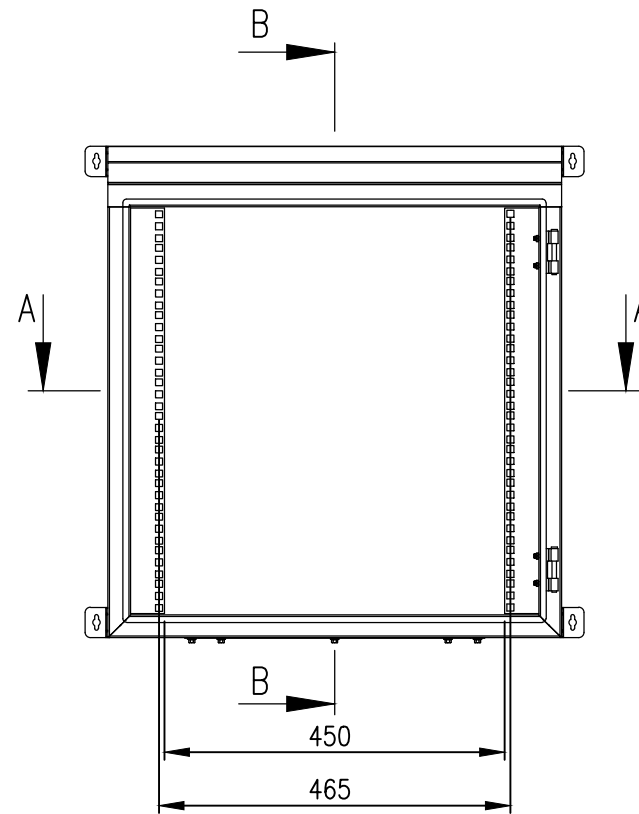
PLAN



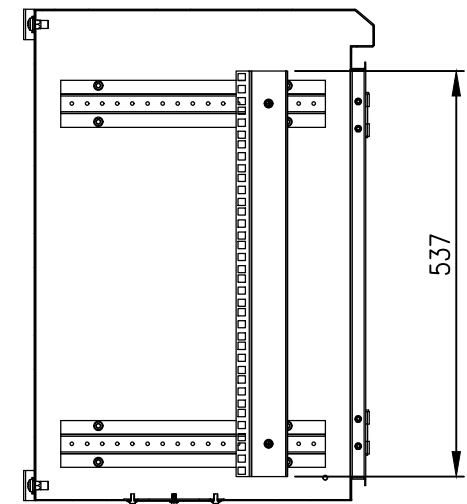
FRONT VIEW



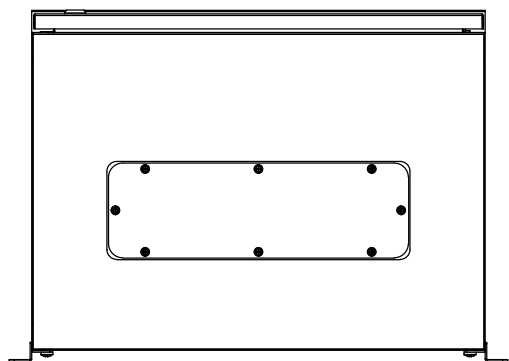
SIDE VIEW



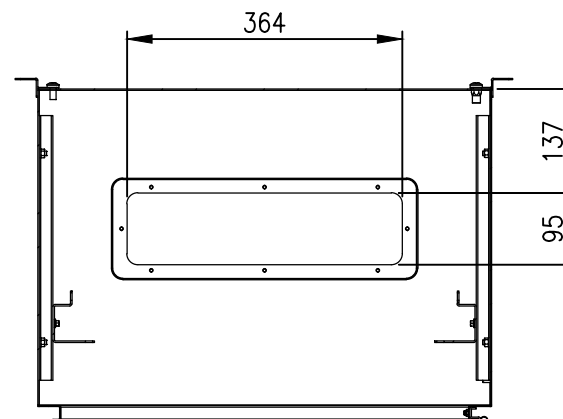
FRONT VIEW - DOOR REMOVED



SECTION BB



BOTTOM VIEW



SECTION AA

MATERIAL
 BODY: 1.5mm GRADE 316 STAINLESS STEEL
 DOOR: 1.5mm GRADE 316 STAINLESS STEEL
 19" RAILS: 1.5mm GALVANISED STEEL SHEET
 SEAL: POLYURETHANE

PROTECTION: IP66 IK10
STANDARD: EIA-310-D, IEC/EN/AS60529

© IP ENCLOSURES 2016.
 THIS DRAWING SHALL NOT BE COPIED OR REPRODUCED
 WITHOUT AUTHORISATION FROM IP ENCLOSURES.
 www.ipenclosures.com.au

Itemref	Quantity	Title/Name, designation, material, dimension etc	Article No./Reference
IP	1	316SS 12U 19" DATA RACK 450 DEEP	IP-SSDW12U45
Designed by	Checked by	Approved by - date	Filename
IP	IP	03/08/21	IP-SSDW12U45
Date	Scale	Edition	
03/08/21	1:10	1	
Sheet			1/1