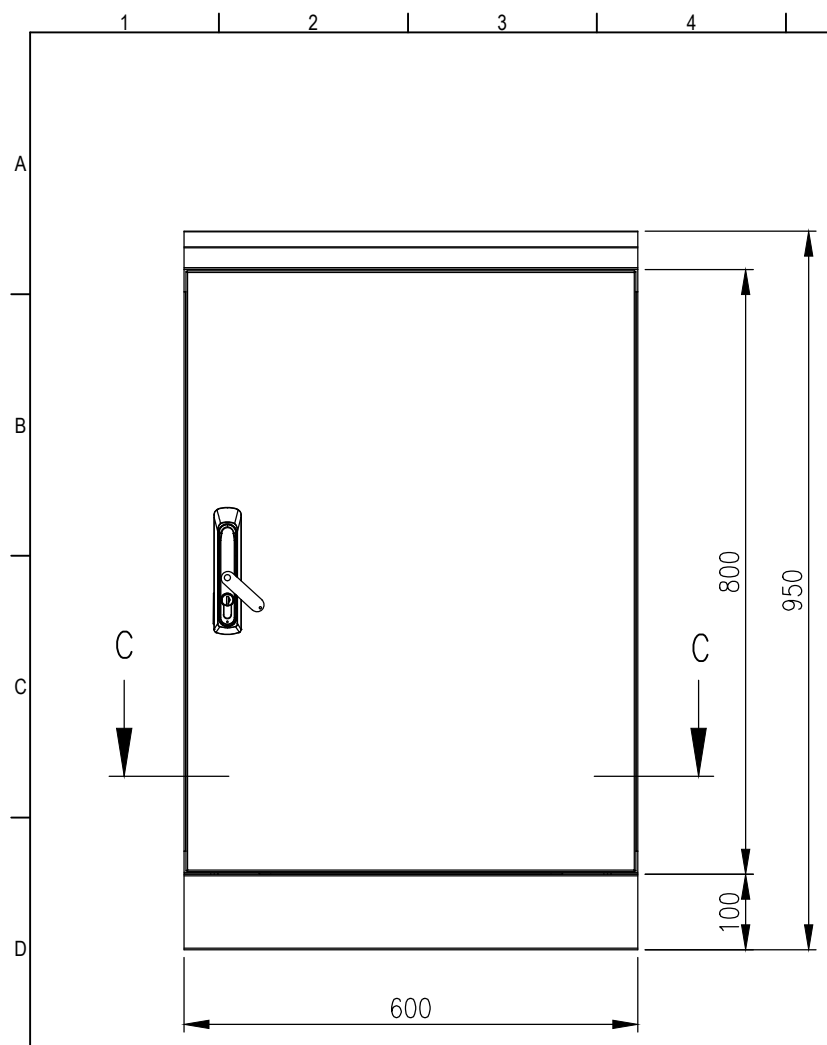
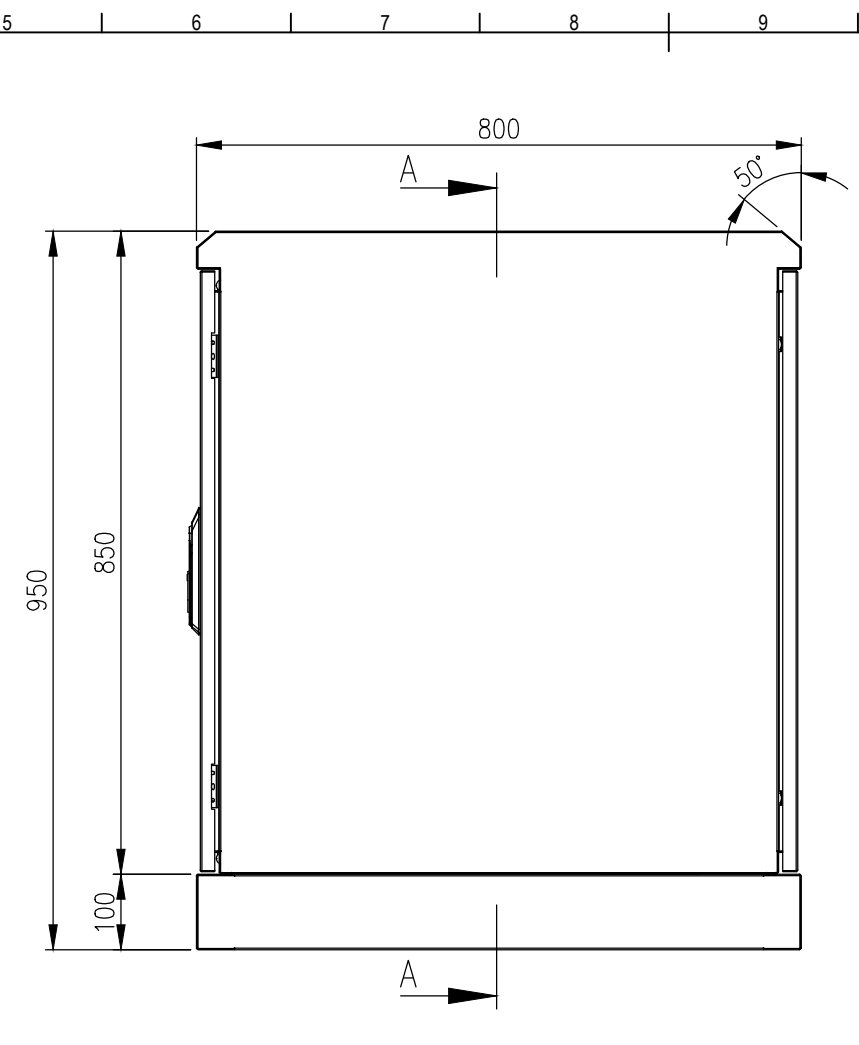


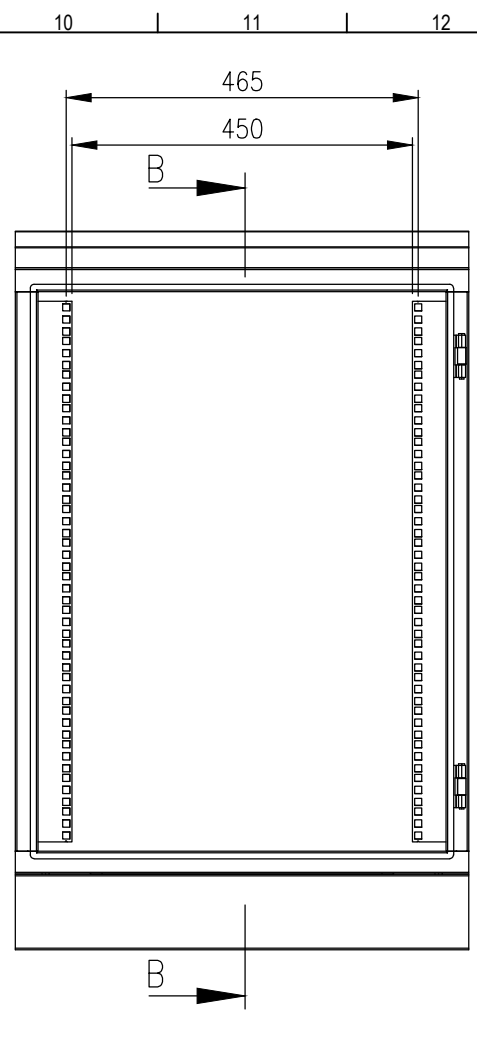
RevNo	Revision note	Date	Signature	Checked
3	GENERAL REVISION	10/10/25	IP	IP



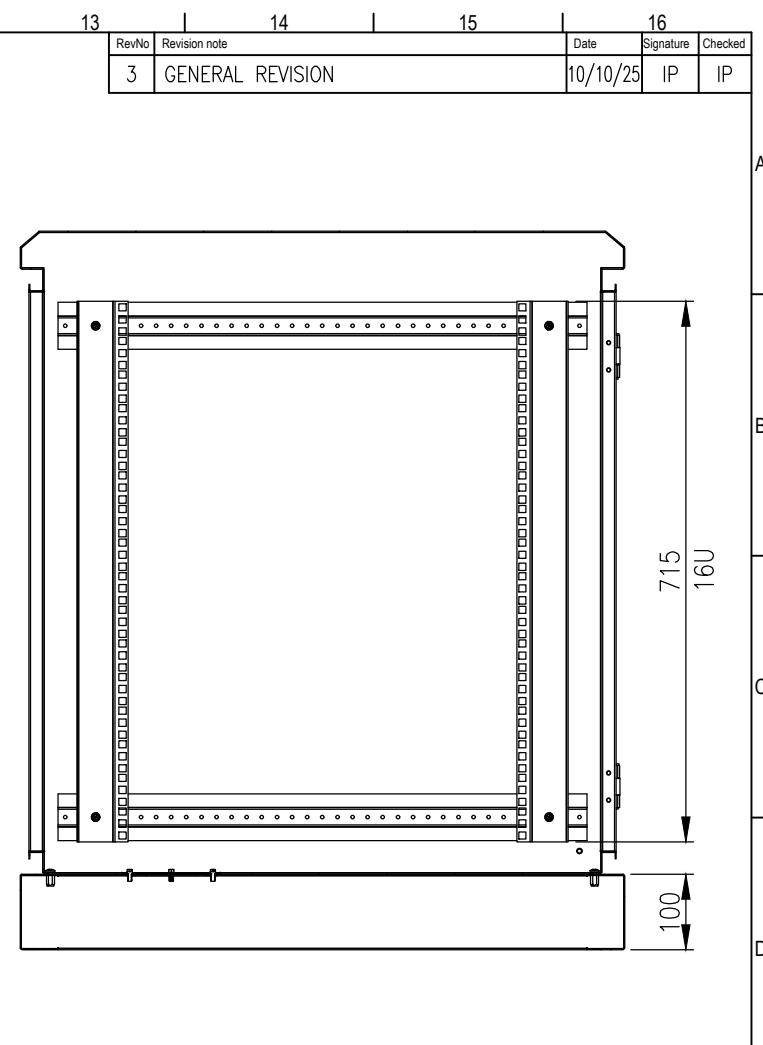
FRONT VIEW



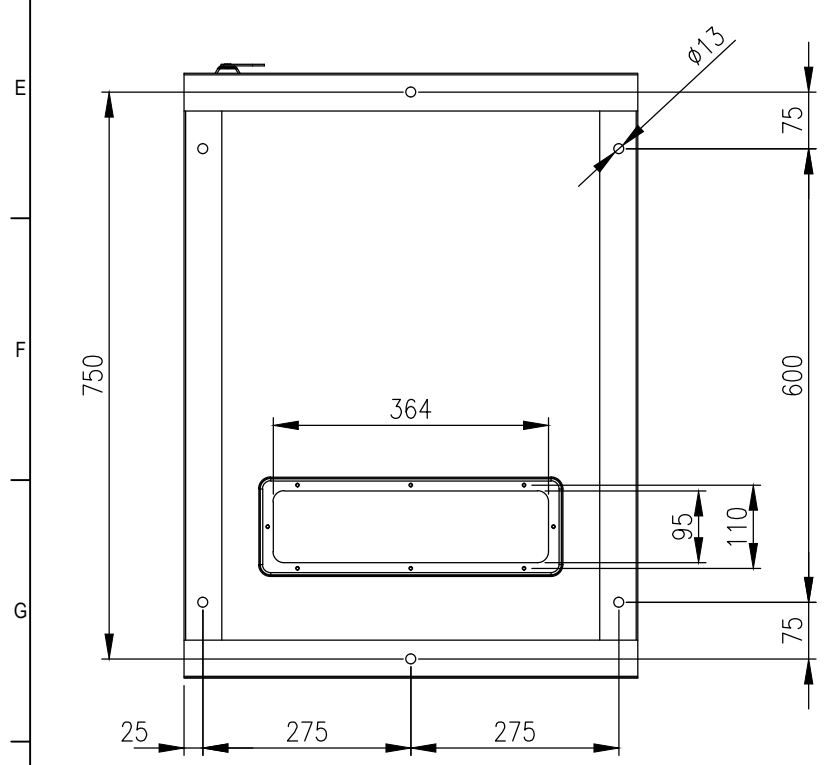
SIDE VIEW



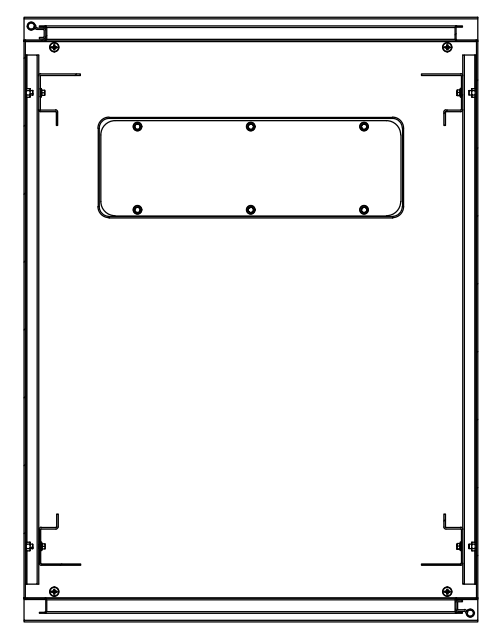
SECTION A-A



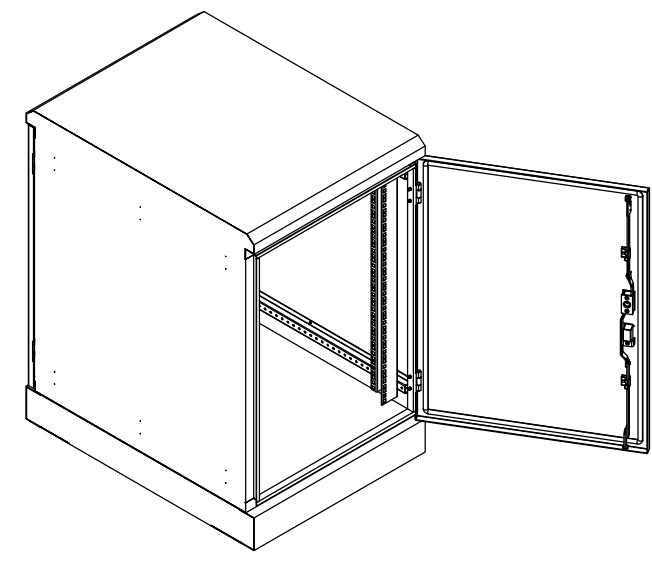
SECTION B-B



BOTTOM VIEW



SECTION C-C



MATERIAL
 BODY: 1.5mm GRADE 316L STAINLESS STEEL
 DOOR: 1.5mm GRADE 316L STAINLESS STEEL
 19" DATA RAILS: 1.5mm GALVANISED STEEL SHEET
 SEAL: POLYURETHANE

MASS: 57.0Kg.

PROTECTION: IP66 IK10
STANDARD: IEC/EN/AS60529, IEC/EN62208, EIA-310-D

© IP ENCLOSURES 2018.
 THIS DRAWING SHALL NOT BE COPIED OR REPRODUCED
 WITHOUT AUTHORISATION FROM IP ENCLOSURES.
 www.ipenclosures.com.au

Itemref	Quantity	Title/Name, designation, material, dimension etc	Article No./Reference
Designed by	Checked by	Approved by - date	Filename
IP	IP	02/07/18	IP-SSD806080
Date	Scale	16U 316SS IP66 19" DATA RACK	
02/07/18	1:10	IP-SSD806080	
Edition		Sheet	
3		1/1	

