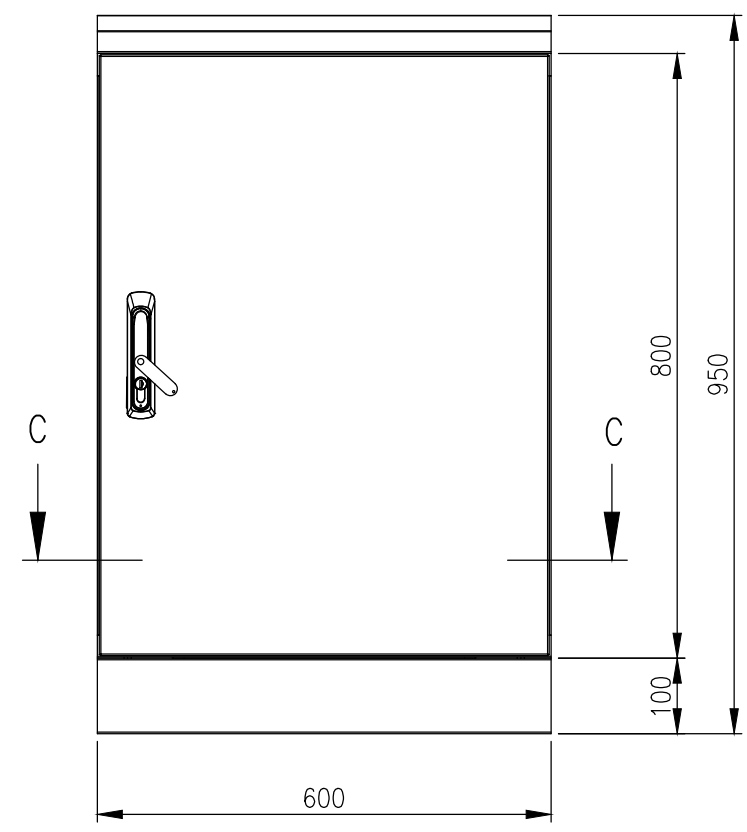
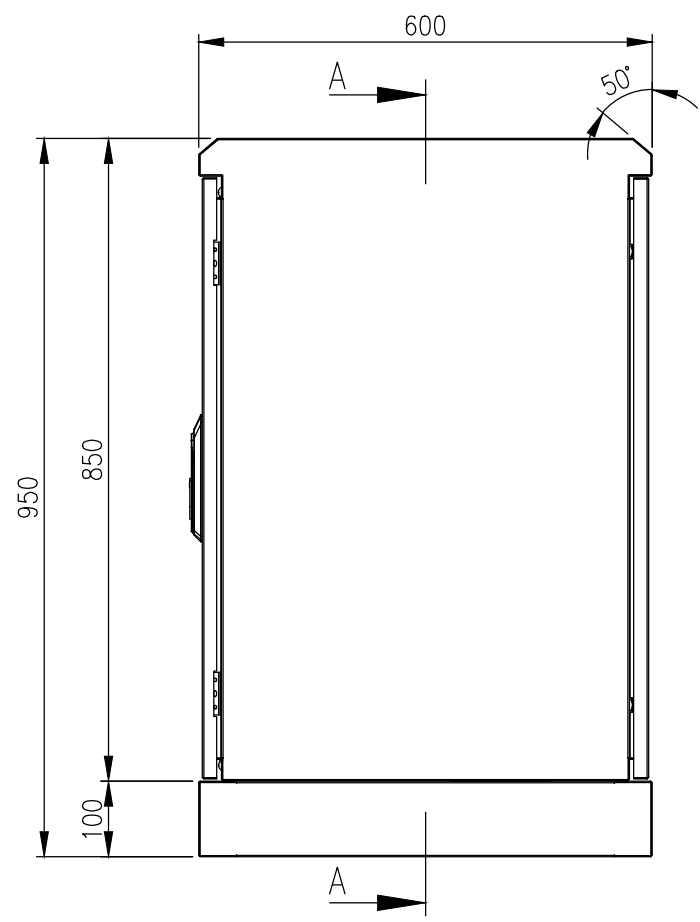


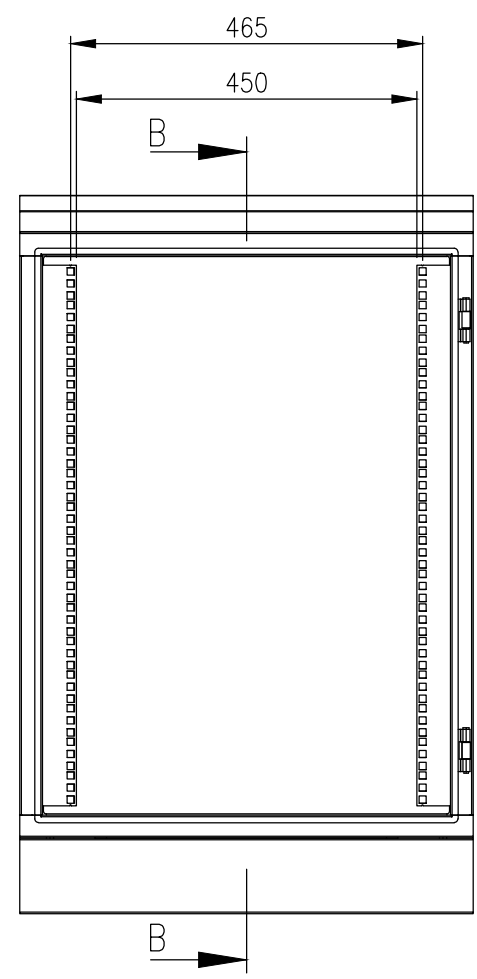
RevNo	Revision note	Date	Signature	Checked
3	GENERAL REVISION	10/10/25	IP	IP



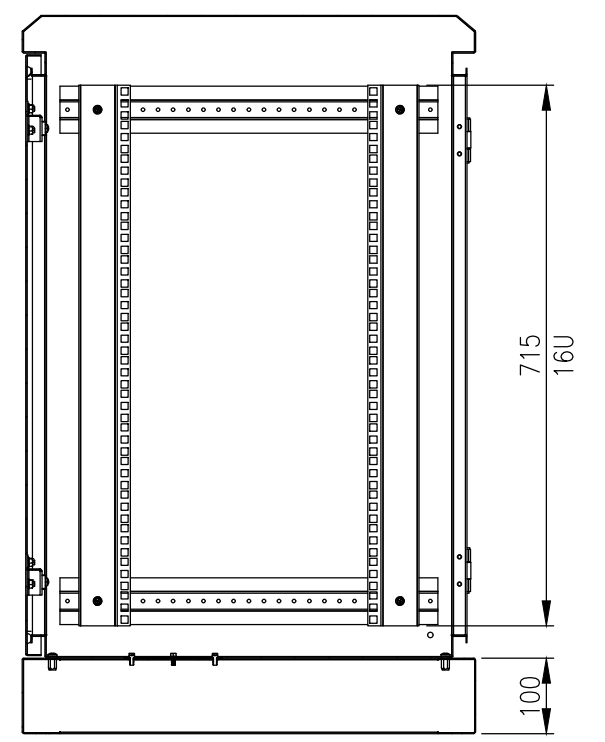
FRONT VIEW



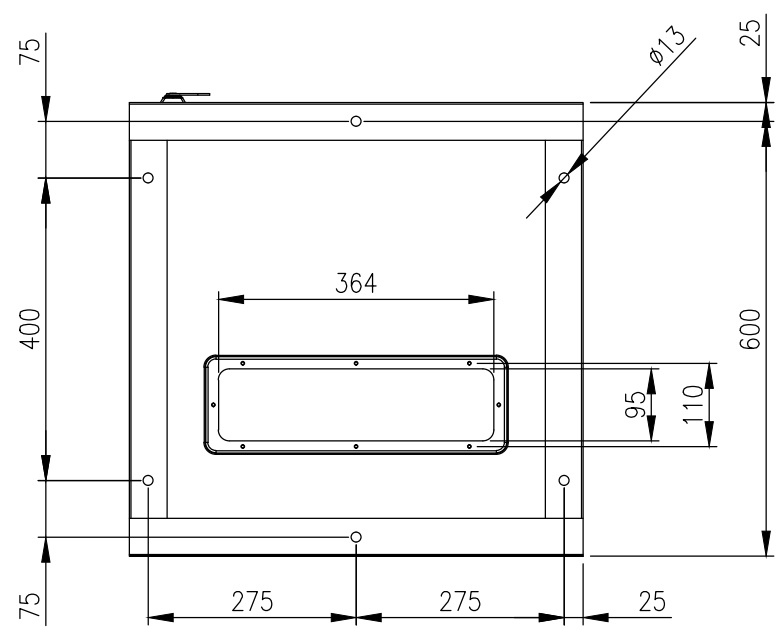
SIDE VIEW



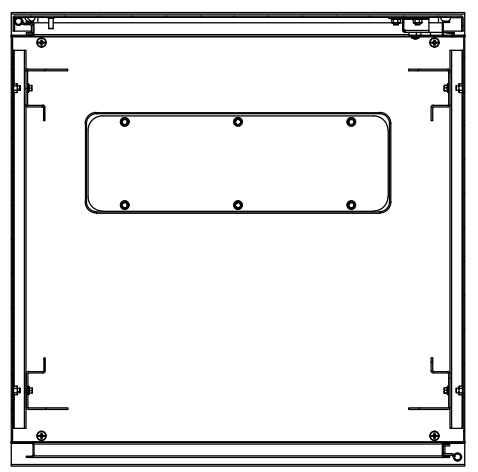
SECTION A-A



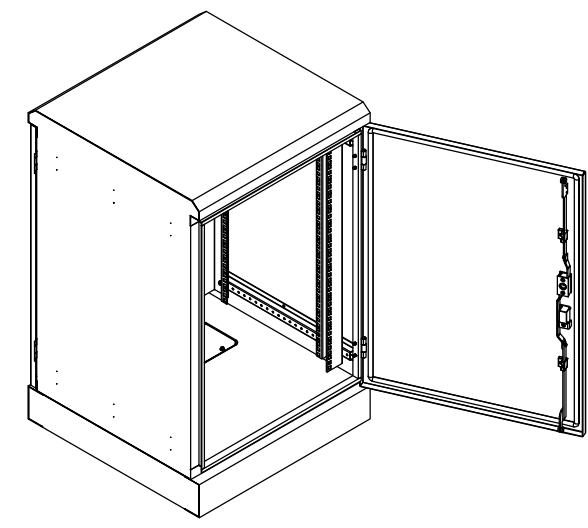
SECTION B-B



BOTTOM VIEW



SECTION C-C



**MATERIAL**  
 BODY: 1.5mm GRADE 316L STAINLESS STEEL  
 DOOR: 1.5mm GRADE 316L STAINLESS STEEL  
 19" DATA RAILS: 1.5mm GALVANISED STEEL SHEET  
 SEAL: POLYURETHANE

MASS: 48.0Kg.

PROTECTION: IP66 IK10  
 STANDARD: IEC/EN/AS60529, IEC/EN62208, EIA-310-D

© IP ENCLOSURES 2018.  
 THIS DRAWING SHALL NOT BE COPIED OR REPRODUCED  
 WITHOUT AUTHORISATION FROM IP ENCLOSURES.  
 www.ipenclosures.com.au

Itemref	Quantity	Title/Name, designation, material, dimension etc	Article No./Reference
Designed by IP	Checked by IP	Approved by - date 02/07/18	Filename IP-SSD806060
		Date 02/07/18	Scale 1:10
			<b>16U 316SS IP66 19" DATA RACK</b> IP-SSD806060
			Edition 3 Sheet 1/1