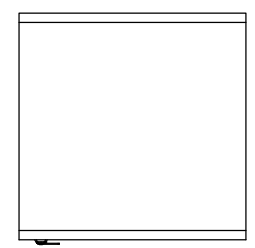
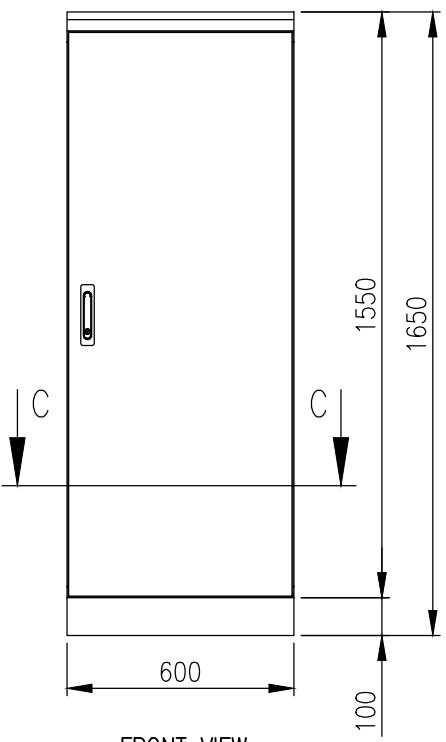


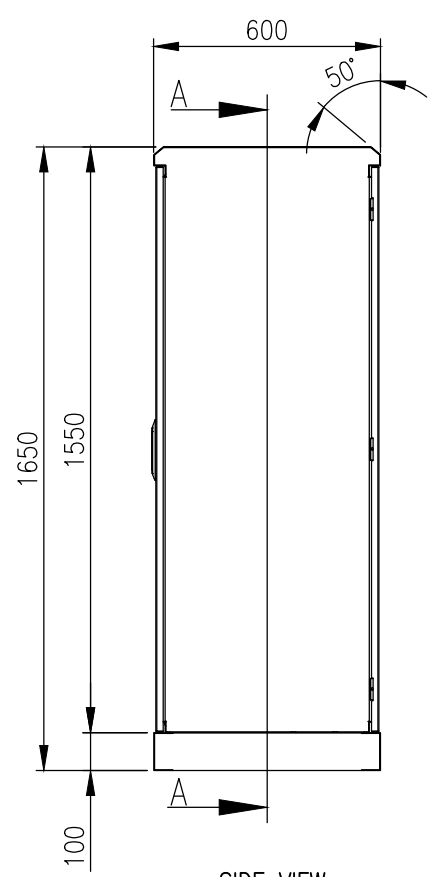
| | | | | |
|-------|------------------|----------|-----------|---------|
| RevNo | Revision note | Date | Signature | Checked |
| 3 | GENERAL REVISION | 10/10/25 | IP | IP |



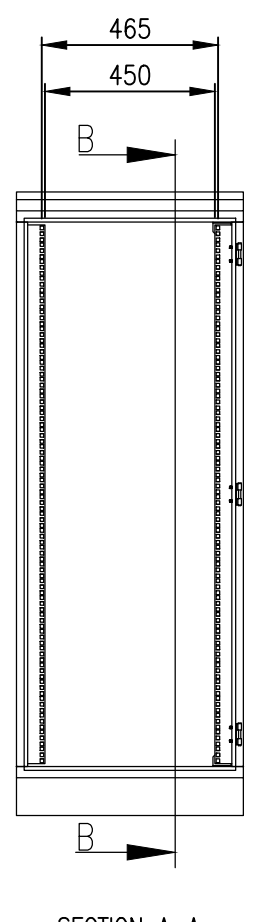
TOP VIEW



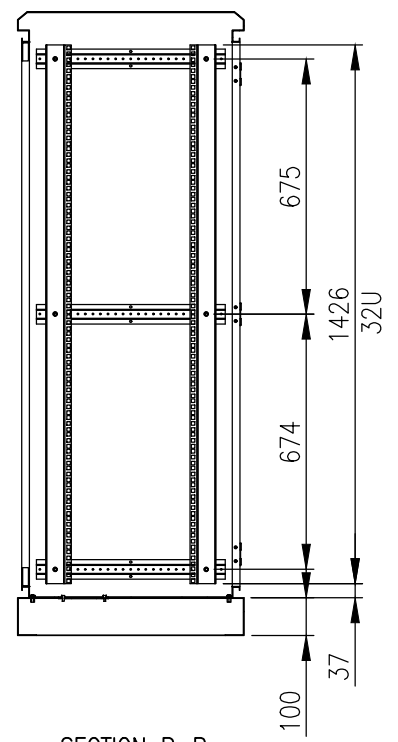
FRONT VIEW



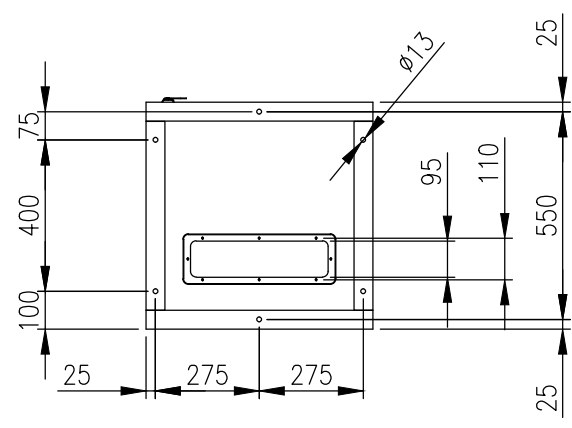
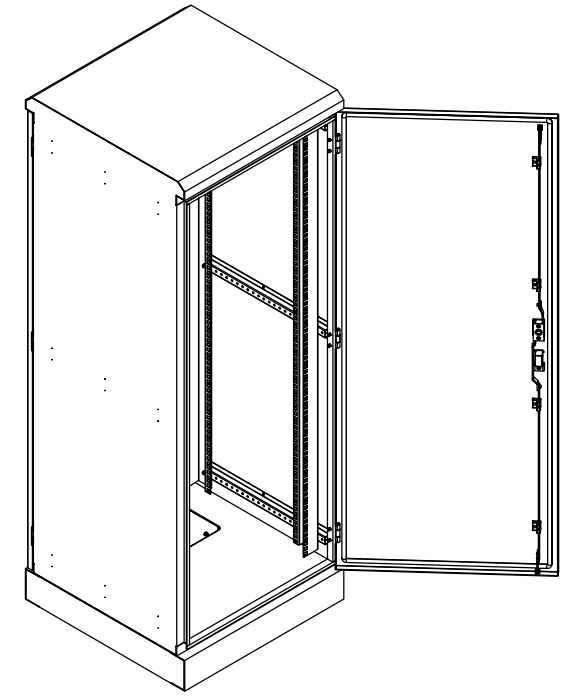
SIDE VIEW



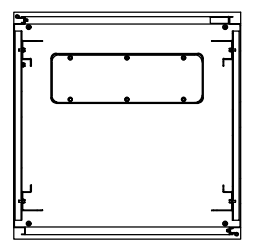
SECTION A-A



SECTION B-B



BOTTOM VIEW



SECTION C-C

MATERIAL
 BODY: 1.5mm GRADE 316L STAINLESS STEEL
 DOOR: 1.5mm GRADE 316L STAINLESS STEEL
 19" DATA RAILS: 1.5mm GALVANISED STEEL SHEET
 SEAL: POLYURETHANE

MASS: 73Kg.

PROTECTION: IP66 IK10
 STANDARD: IEC/EN/AS60529, IEC/EN62208, EIA-310-D

© IP ENCLOSURES 2018.
 THIS DRAWING SHALL NOT BE COPIED OR REPRODUCED
 WITHOUT AUTHORISATION FROM IP ENCLOSURES.
 www.ipenclosures.com.au

| | | | |
|-------------------|------------------|--|------------------------------|
| Itemref | Quantity | Title/Name, designation, material, dimension etc | Article No./Reference |
| Designed by IP | Checked by IP | Approved by - date 02/07/18 | Filename IP-SSD1606060 |
| | | Date 02/07/18 | Scale 1:20 |
| | | | 32U 316SS IP66 19" DATA RACK |
| IP-SSD1606060 | | | Edition 3 |
| | | | Sheet 1/1 |