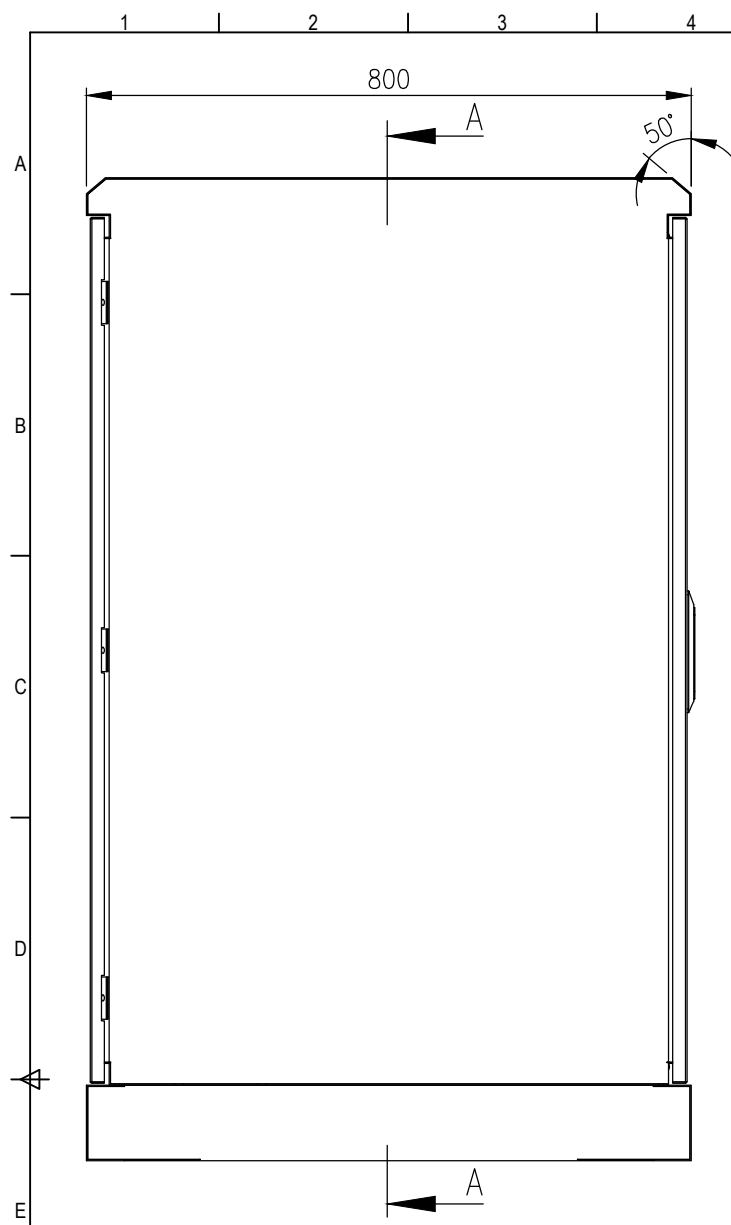
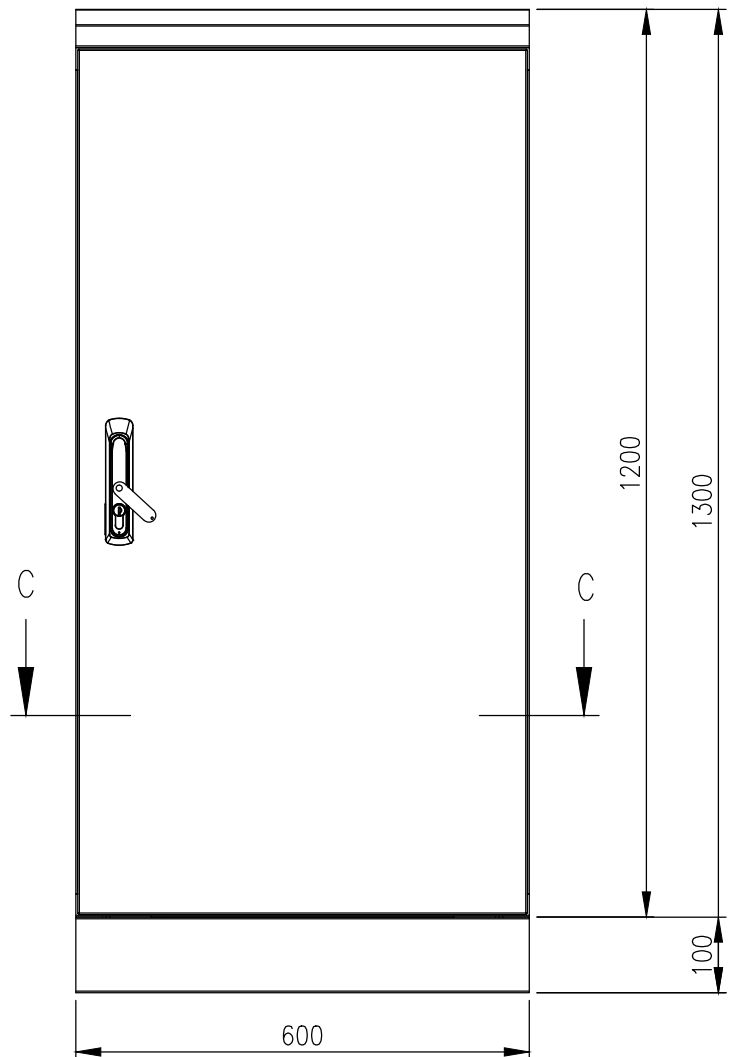


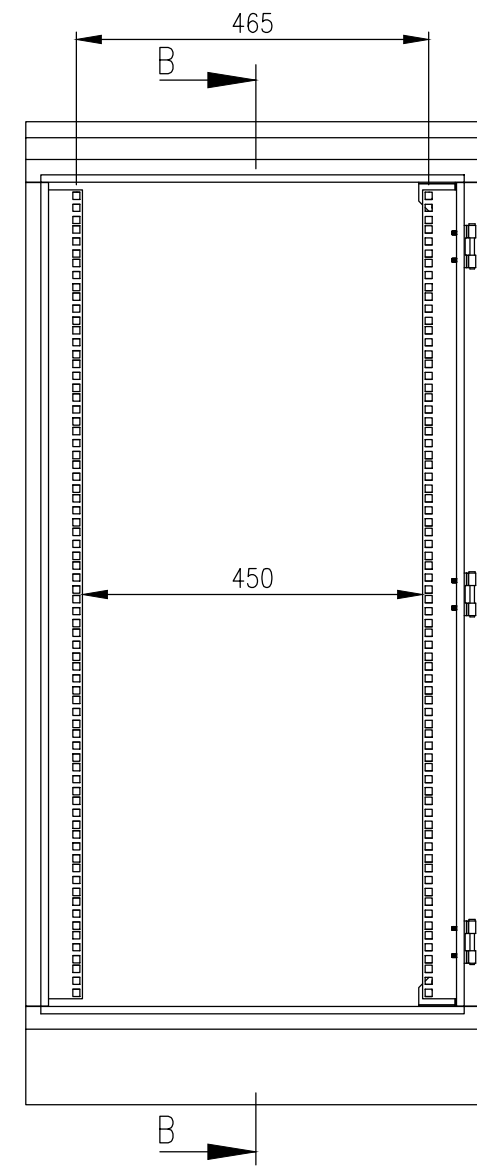
RevNo	Revision note	Date	Signature	Checked
3	GENERAL REVISION	10/10/25	IP	IP



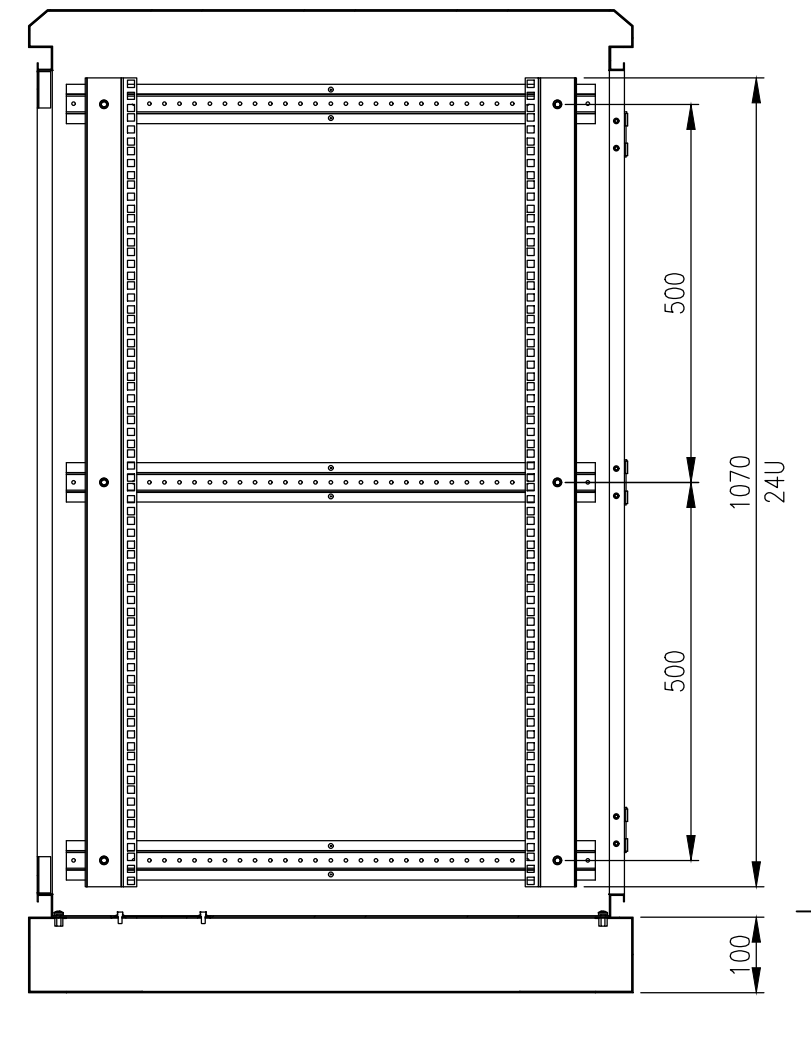
SIDE VIEW



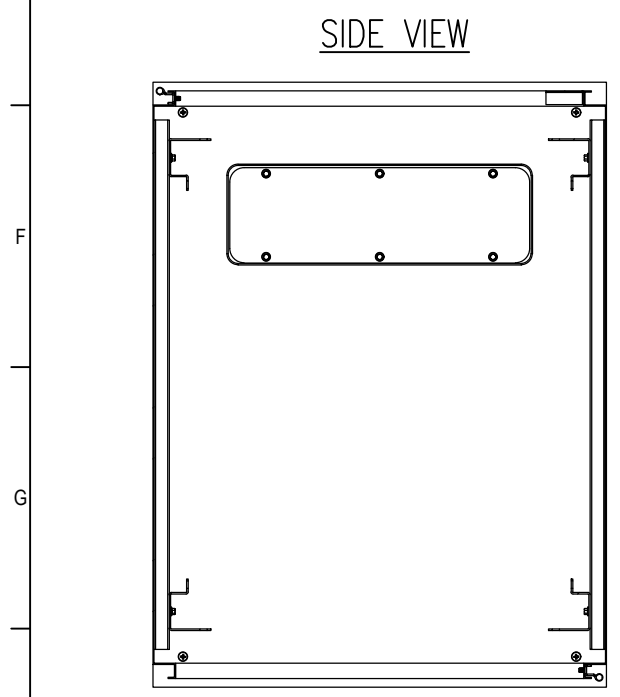
FRONT VIEW



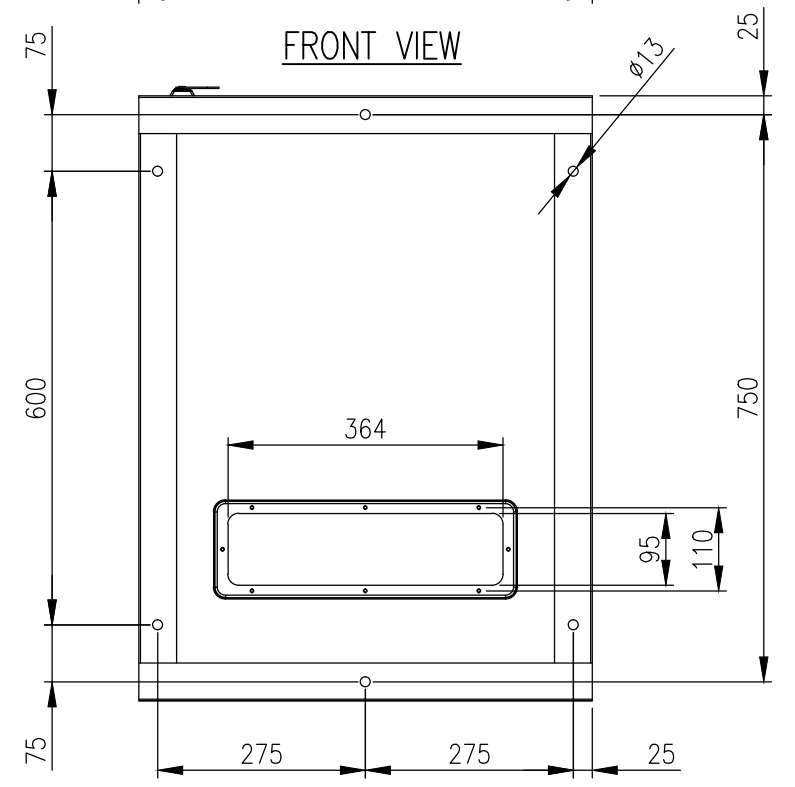
SECTION A-A



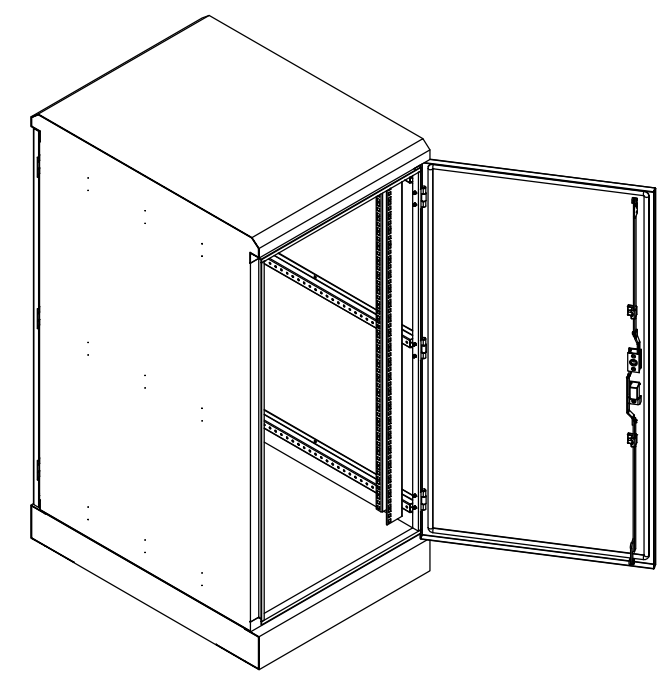
SECTION B-B



SECTION C-C



BOTTOM VIEW



MATERIAL
 BODY: 1.5mm GRADE 316L STAINLESS STEEL
 DOOR: 1.5mm GRADE 316L STAINLESS STEEL
 19" DATA RAILS: 1.5mm GALVANISED STEEL SHEET
 SEAL: POLYURETHANE

MASS: 72.0Kg.

PROTECTION: IP66 IK10
STANDARD: IEC/EN/AS60529, IEC/EN62208, EIA-310-D

© IP ENCLOSURES 2018.
 THIS DRAWING SHALL NOT BE COPIED OR REPRODUCED
 WITHOUT AUTHORISATION FROM IP ENCLOSURES.
 www.ipenclosures.com.au

Itemref	Quantity	Title/Name, designation, material, dimension etc	Article No./Reference
IP	1	24U 316SS IP66 19" DATA RACK	IP-SSD1206080
Designed by		Checked by	Approved by - date
IP		IP	02/07/18
Filename		Date	Scale
IP-SSD1206080		02/07/18	1:10
Edition			Sheet
3			1/1



24U 316SS IP66 19" DATA RACK
 IP-SSD1206080