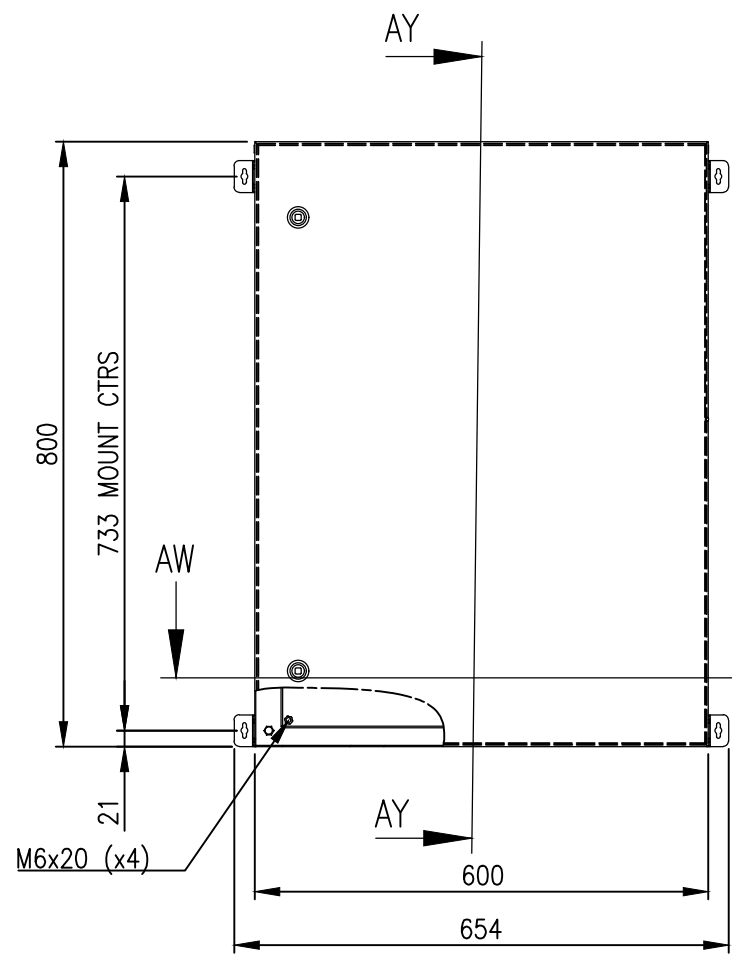
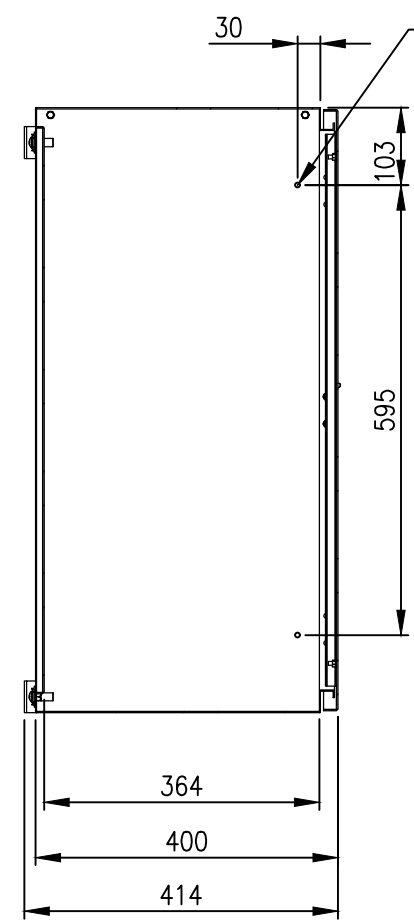


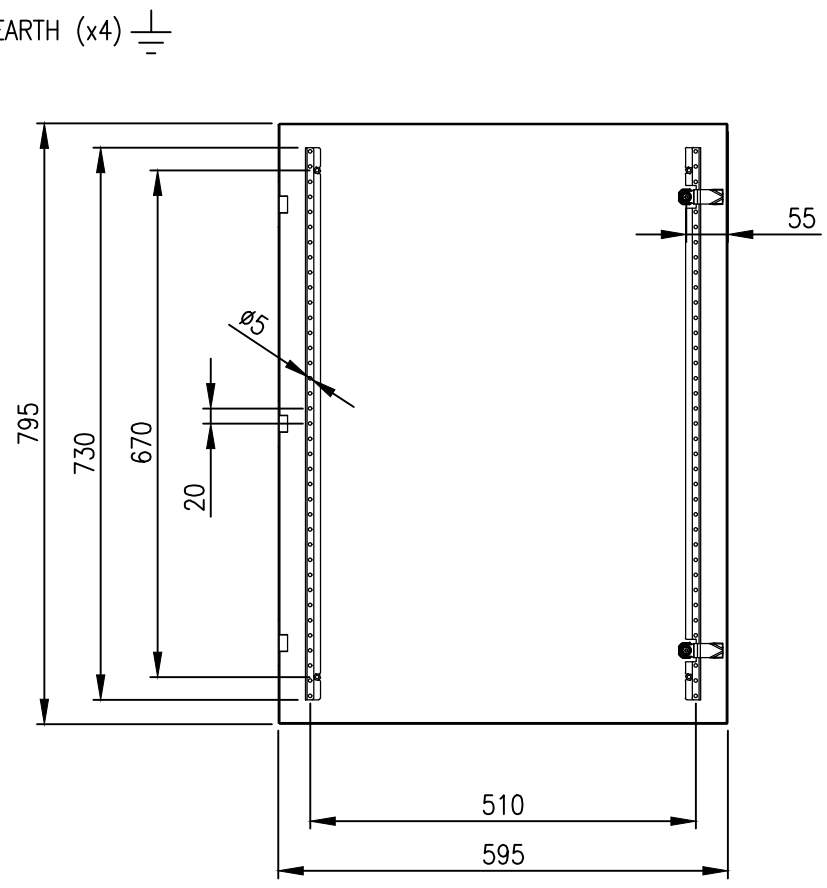
RevNo	Revision note	Date	Signature	Checked
	GENERAL REVISION		IP	IP



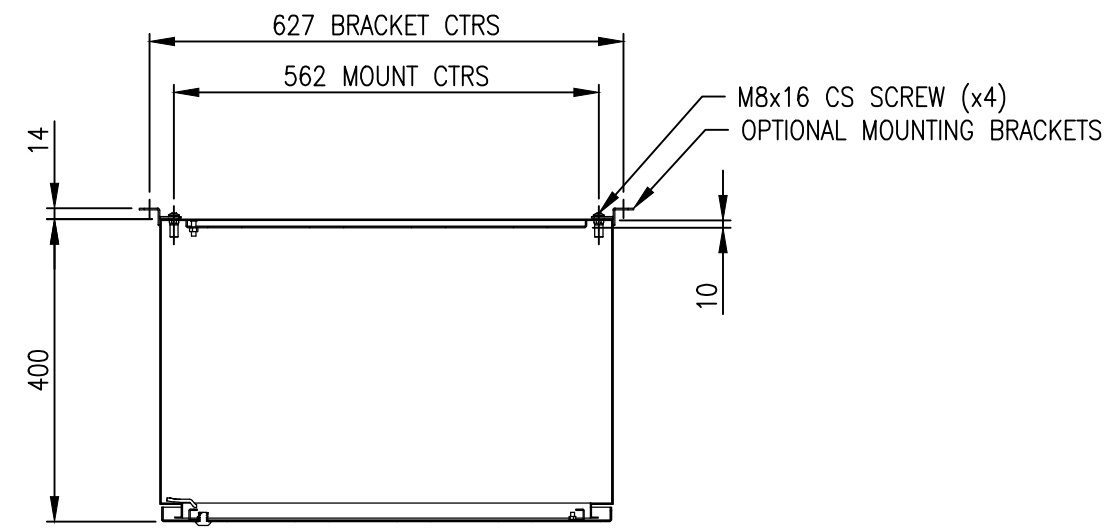
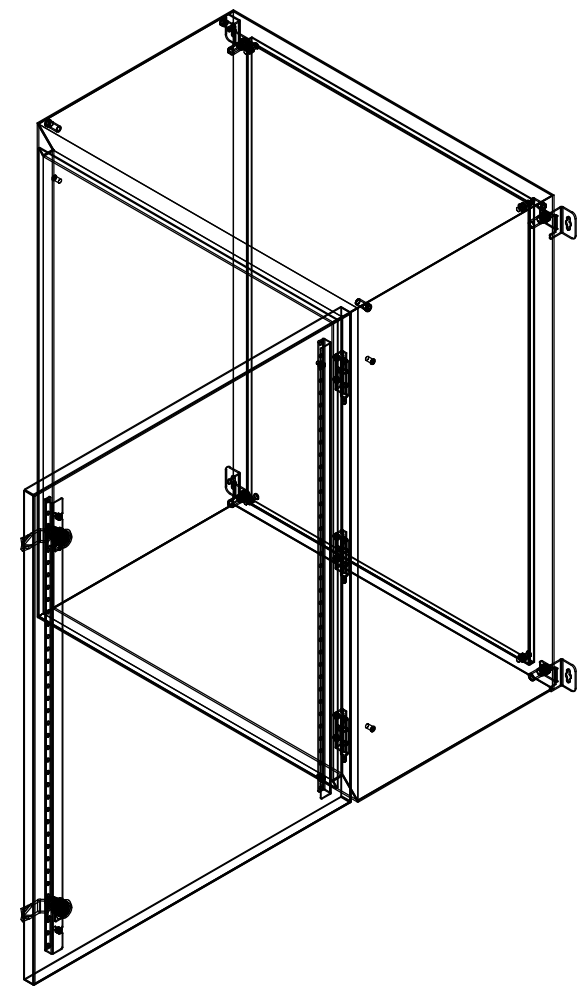
FRONT VIEW



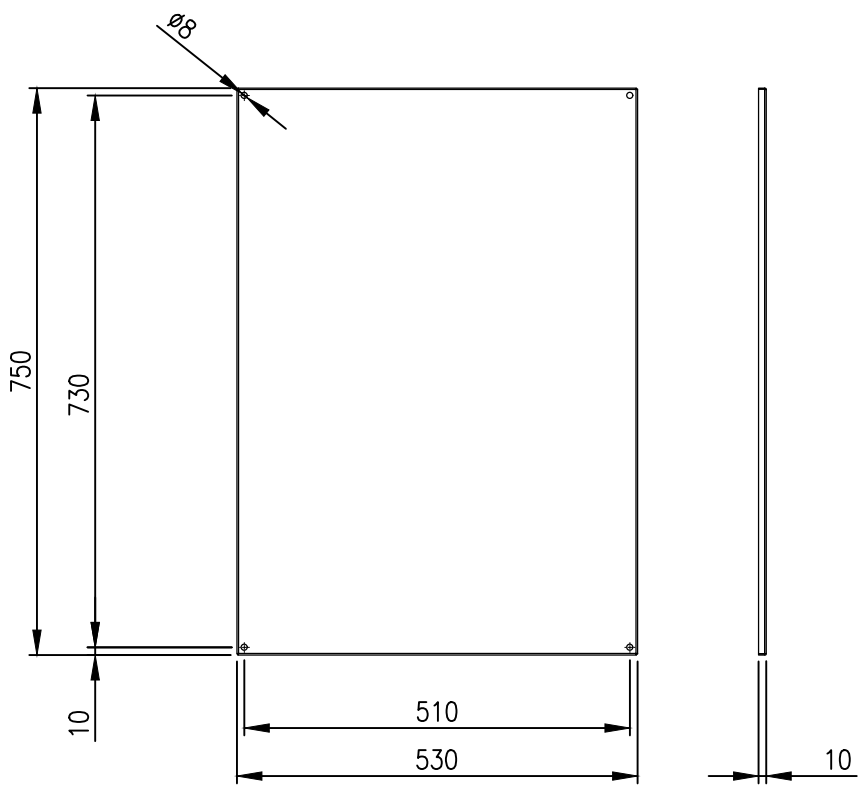
SECTION AY-AY



INSIDE DOOR VIEW



SECTION AW-AW



DEVICE MOUNTING PLATE

**MATERIAL:**  
 BODY: 1.5mm 316 STAINLESS STEEL  
 DOOR: 1.5mm 316 STAINLESS STEEL  
 DEVICE PLATE: 1.5mm GALVANISED STEEL  
 SEAL: POLYURETHANE

**PROTECTION:** IP66 IK10, NEMA 4x  
**STANDARD:** IEC62208, IEC/EN/AS60529

© IP ENCLOSURES 2023.  
 THIS DRAWING SHALL NOT BE COPIED OR REPRODUCED  
 WITHOUT AUTHORISATION FROM IP ENCLOSURES.  
 www.ipenclosures.com.au

Itemref	Quantity	Title/Name, designation, material, dimension etc	Article No./Reference
Designed by	Checked by	Approved by - date	Filename
IP	IP	01/06/23	IP-SS806040
Date	Scale	800x600x400 316SS ENCLOSURE	
01/06/23	1:10	IP-SS806040	Edition 0 Sheet 1/1