

# SDW 19" Data Rack

# IP-SDW9RU45-BLK

STEEL | WALL MOUNT | SINGLE DOOR | IP66

19" 9U x 450D

IP Enclosures SDW range of IP66 19" data racks are designed for outdoor applications to house sensitive data network equipment in harsh environments. They are suitable for internal and external installations. All IP Enclosures are built to precision to ensure consistent high quality standards.

**Protection:** IP66 IK10

**Standards (& Conformities):** IEC/EN 60529, IEC/EN 62208, EIA-310-D, RoHS, Network Rail Acceptance Panel (NRAP) PADS Approved\*



**Rack Unit Size:** 9U

### Material:

- Enclosure Body: 1.5mm galvanised steel sheet
- Enclosure Door: 1.5mm galvanised steel sheet
- 19" Data Rack Rails: 1.5mm galvanised steel sheet
- Gland Plate: 1.5mm galvanised steel sheet
- Enclosure Seal: Polyurethane

**Body & 19" Rails:** The robust monoblock body is 1.5mm galvanised steel sheet. Precision automated manufacturing equipment ensures accuracy and consistent high quality. Flat face sealing surfaces increase seal life. A galvanised steel gland plate is also incorporated into the bottom face. 19" data rack rails are fitted. 600mm deep racks include front and rear rails.

**Enclosure Door:** The surface mounted door is 1.5mm galvanised steel sheet. It incorporates concealed removable hinges with captive pins. Doors are also designed for a 110° opening. Door with windows are available as an accessory.

**Enclosure Seal:** A high quality machine-applied full perimeter UL listed Polyurethane seal foamed in place (FIP) provides excellent sealing over a long life. Temperature resistance -40°C to 80°C (160°C short term loading).

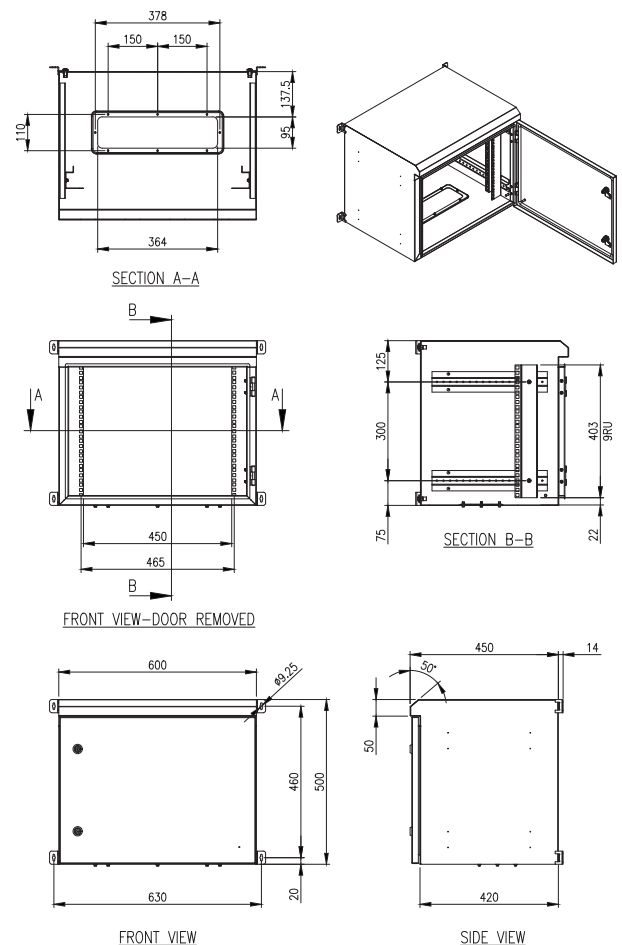
**Enclosure Lock:** 5mm double bit insert quarter turn lock with key.

**Gland Plate:** Gland plate is incorporated into the bottom face of the enclosure for cable management. It is provided with gaskets and fasteners. The size and quantity vary according to enclosure size.

**Surface Treatment:** UL approved AkzoNobel epoxy polyester powder-coated with a textured finish. 80-120 micron average thickness. Colour RAL9005 Jet Black. (Other colours available upon request).

**Mass:** 25.0Kg.

**Maximum Weight of Contents:** 143.1Kg.



# SDW 19" Data Rack

# IP-SDW9RU45-BLK

STEEL | WALL MOUNT | SINGLE DOOR | IP66

19" 9U x 450D

## ACCESSORIES:

Part Number	Description
IP-SDDINPANEL1	1U 19" DIN Terminal Rail
IP-SDCOVER1	1U 19" Cover Panel
IP-EMH1	1U 19" Cover Panel (Ventilated)
IP-SDDINPANEL2	2U 19" DIN Terminal Rail
IP-SDCOVER2	2U 19" Cover Panel
IP-EMH2	2U 19" Cover Panel (Ventilated)
IP-SDDINPANEL3	3U 19" DIN Terminal Rail
IP-SDCOVER3	3U 19" Cover Panel
IP-EMH3	3U 19" Cover Panel (Ventilated)
IP-SDDP3	3U 19" Distribution Board (Supplied with Cover Panel)
IP-SDDINBOX4RU	4U 19" Rack Mounted DIN Rail Housing
IP-SDBOX4RU	4U 19" Rack Mount Housing
IP-SDDINBOX6RU	6U 19" Rack Mounted DIN Rail Housing
IP-SDBOX6RU	6U 19" Rack Mount Housing
IP-SDDINBOX8RU	8U 19" Rack Mounted DIN Rail Housing
IP-SDBOX8RU	8U 19" Rack Mount Housing
IP-RCLF120	1U 19" Fixed Shelf; 200mmD
IP-RCLF130	1U 19" Fixed Shelf; 300mmD
IP-RCHF130	1U 19" Sliding Shelf; 300mmD
IP-RNG1U19	1U Cable Organiser for Data Rack
IP-M6SCREW-CAGENUT	M6 Cage Nut and Screw for 19" Data Racks - Pack of 50

## CERTIFICATES:

IEC 60529 Degrees of protection provided by enclosures: Certificate AB-0386-T 2311.14.01/00  
IEC/EN 62208 Empty Enclosures for low-voltage switchgear and controlgear assemblies: Certificate 0366932-TSE-01/01  
CE Certificate of Compliance: Certificate SZT-24 MA 33485-1  
UKCA Certificate of Compliance: Certificate SZT-25 MA 38734-1  
Network Rail Acceptance Panel (NRAP) PADS Approved: Certificate PA05/06053 Issue 10. Note (\*): IP55 equipped with IP-V2000, IP-VF2X, IP-WMBKIT, EK14992, IP-EK01, Icotek 45450/31100/GMT25/41205/42906.  
Refer to IP Enclosures UK for details.

Products are manufactured to Quality, Safety and Environmental Standards.

**WARRANTY:** 5 years.