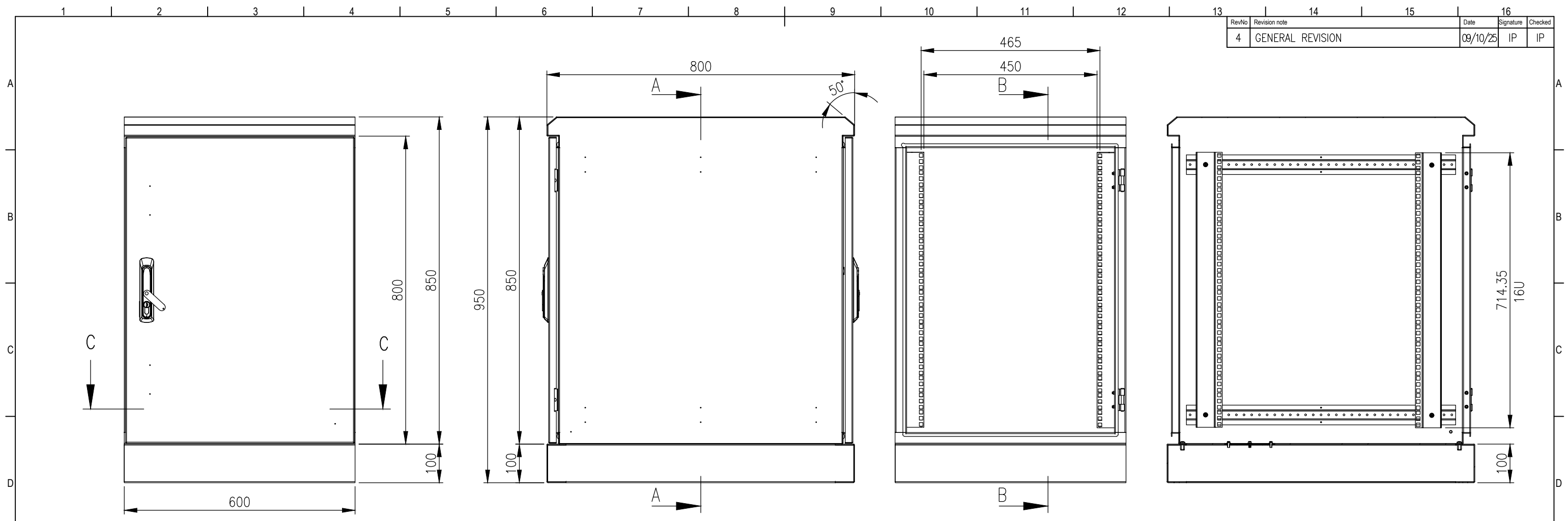


RevNo	Revision note	Date	Signature	Checked
4	GENERAL REVISION	09/10/25	IP	IP

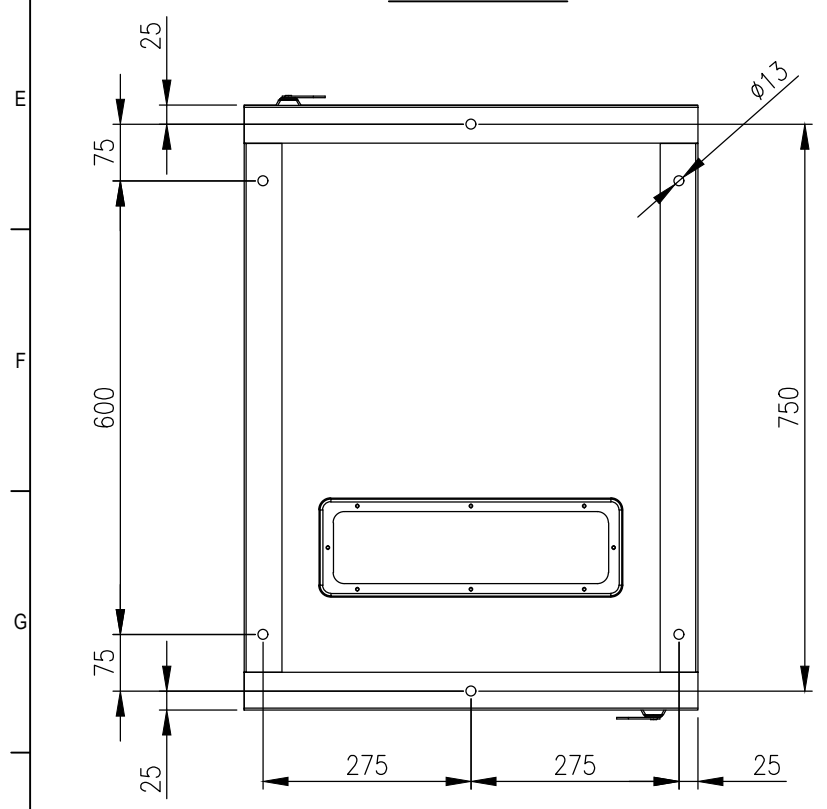


FRONT VIEW

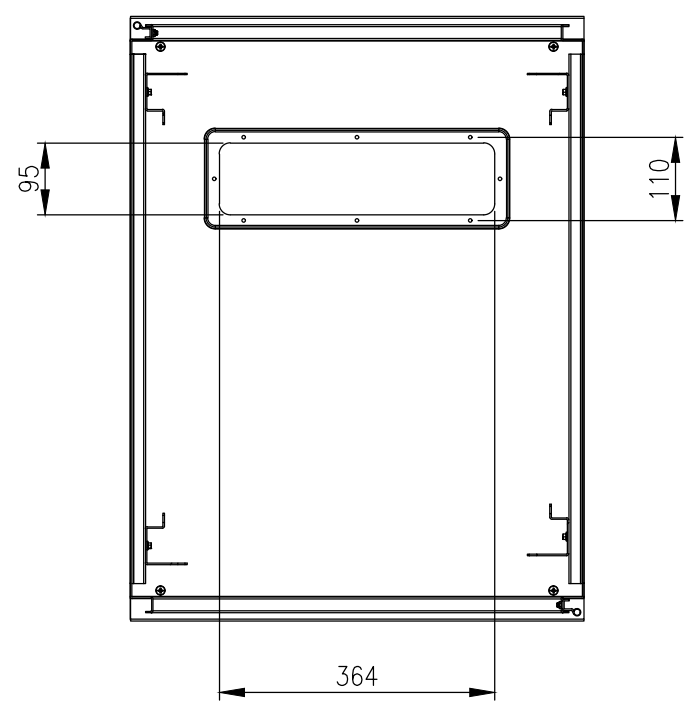
SIDE VIEW

SECTION A-A

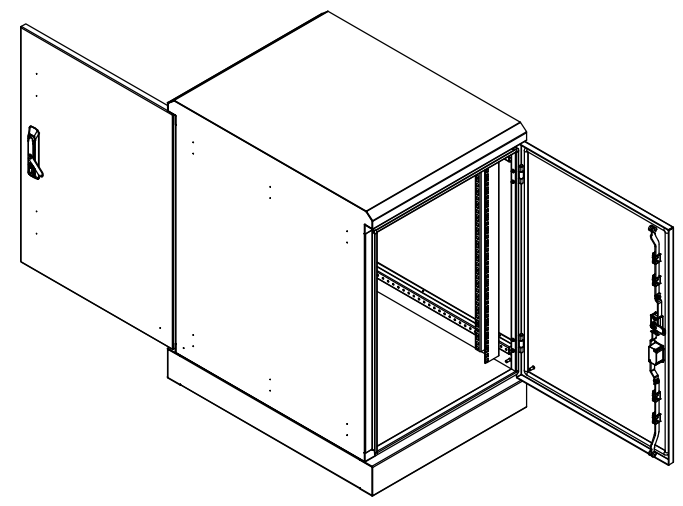
SECTION B-B



BOTTOM VIEW



SECTION C-C



**MATERIAL**  
 BODY: 2.0mm GALVANISED STEEL SHEET  
 DOOR: 2.0mm GALVANISED STEEL SHEET  
 19" DATA RAILS: 1.5mm GALVANISED STEEL SHEET  
 SEAL: POLYURETHANE  
 SURFACE TREATMENT: POWDER-COAT 80-120micron  
 COLOUR: RAL7035 LIGHT GREY

MASS: 42.0Kg

PROTECTION: IP66 IK10  
 STANDARD: IEC/EN/AS60529, IEC/EN62208, EIA-310-D

© IP ENCLOSURES 2018.  
 THIS DRAWING SHALL NOT BE COPIED OR REPRODUCED  
 WITHOUT AUTHORISATION FROM IP ENCLOSURES.  
 www.ipenclosures.com.au

Itemref	Quantity	Title/Name, designation, material, dimension etc	Article No./Reference
Designed by IP	Checked by IP	Approved by - date 02/07/18	Filename IP-SD806080-RD
		Date 02/07/18	Scale 1:10
			<b>16U 850x600x800 IP66 19" DATA RACK</b> IP-SD806080-RD
Edition 4			Sheet 1/1