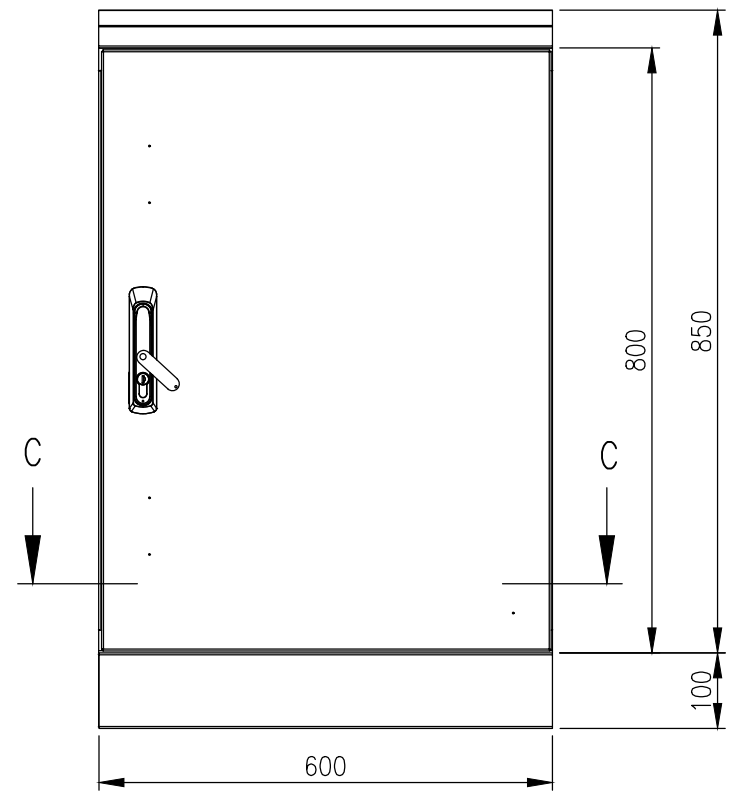
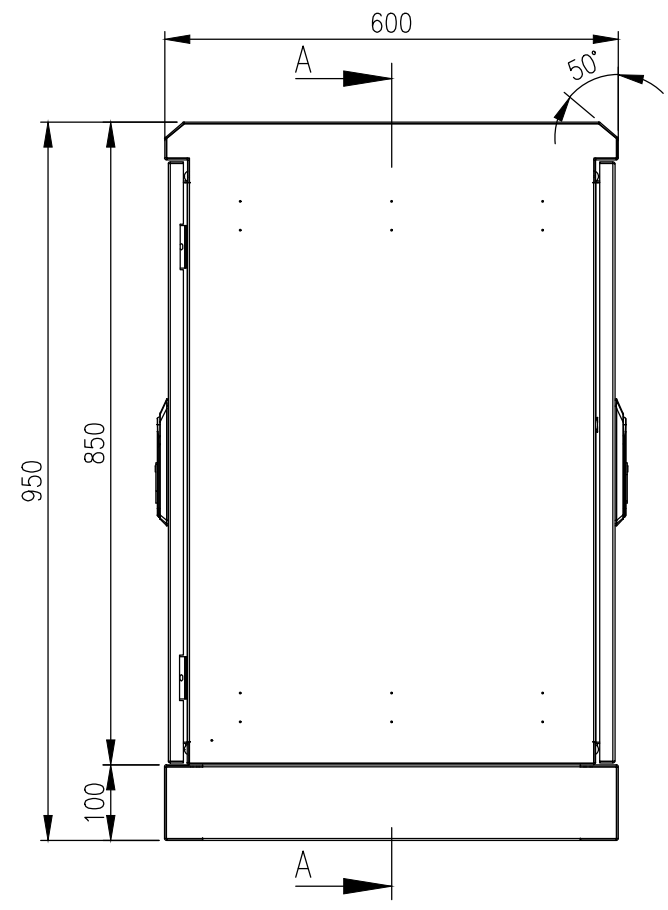


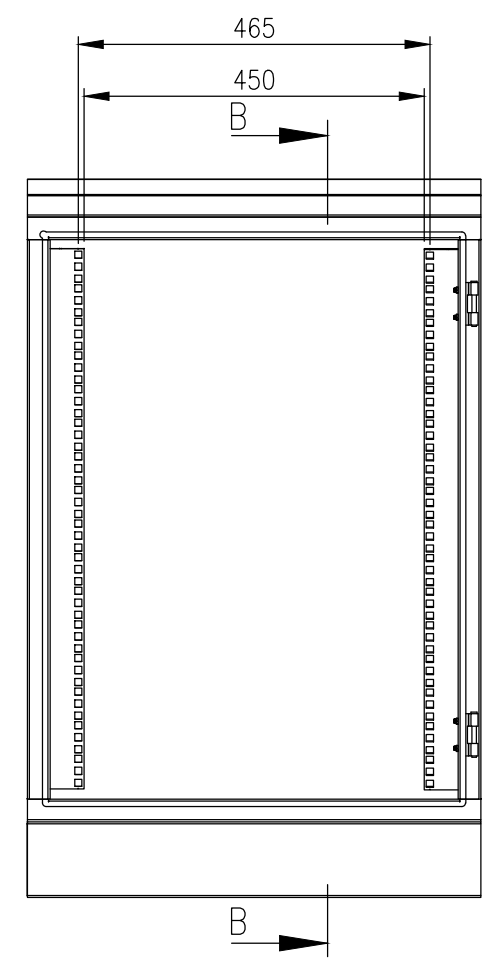
RevNo	Revision note	Date	Signature	Checked
4	GENERAL REVISION	09/10/25	IP	IP



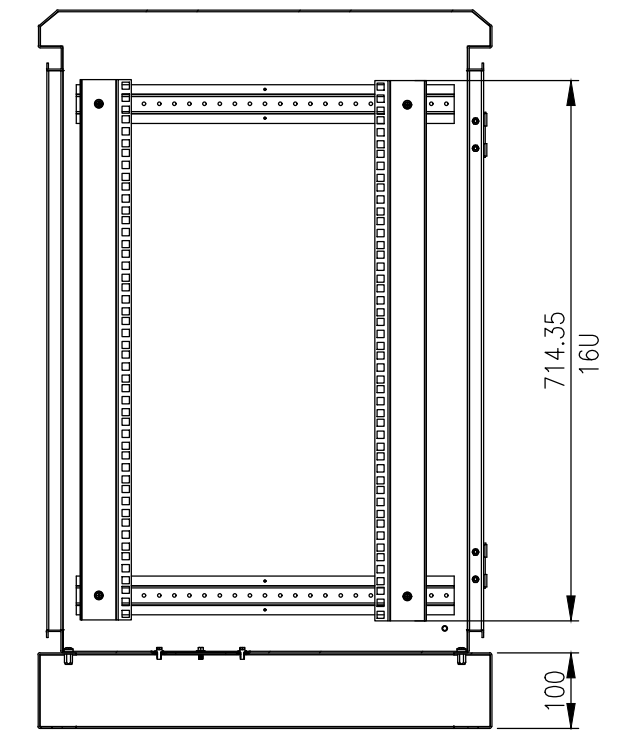
FRONT VIEW



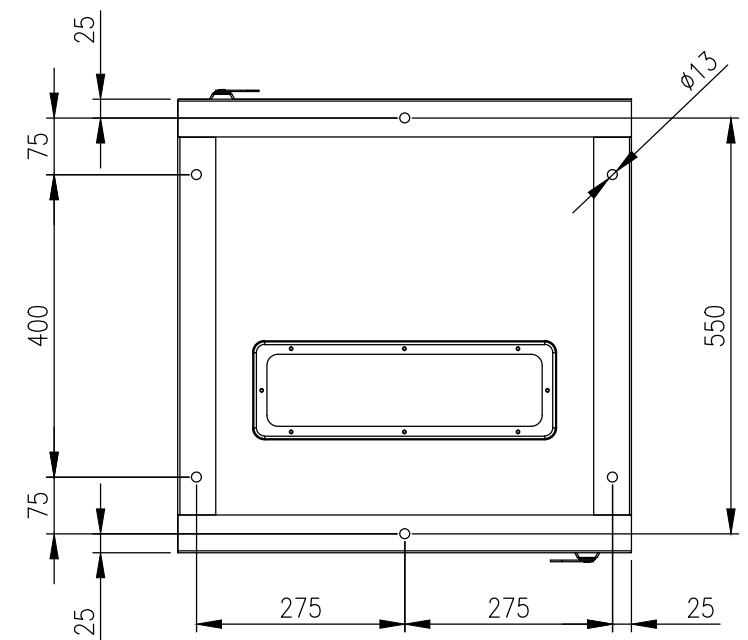
SIDE VIEW



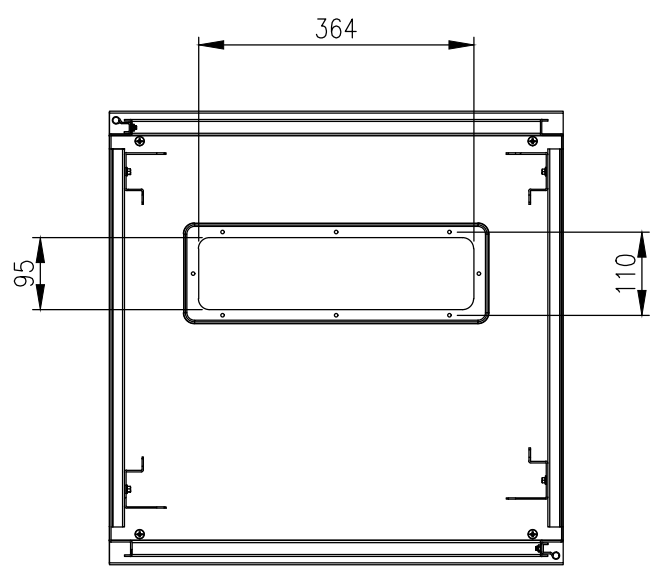
SECTION A-A



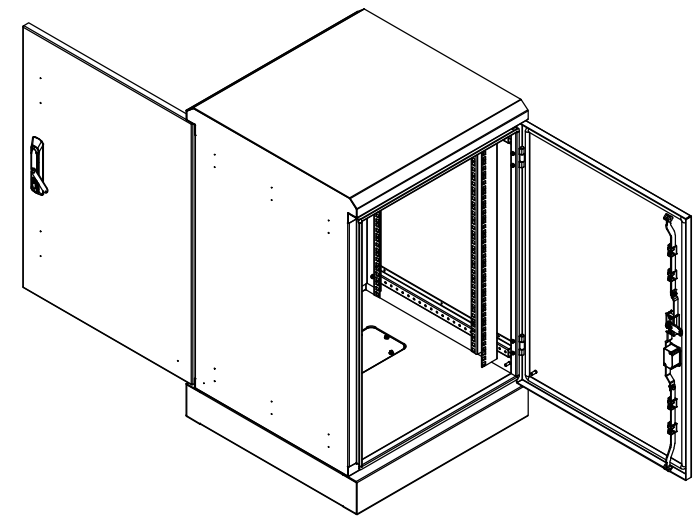
SECTION B-B



BOTTOM VIEW



SECTION C-C



MATERIAL
 BODY: 2.0mm GALVANISED STEEL SHEET
 DOOR: 2.0mm GALVANISED STEEL SHEET
 19" DATA RAILS: 1.5mm GALVANISED STEEL SHEET
 SEAL: POLYURETHANE
 SURFACE TREATMENT: POWDER-COAT 80-120micron
 COLOUR: RAL7035 LIGHT GREY

MASS: 35Kg.

PROTECTION: IP66 IK10
 STANDARD: IEC/EN/AS60529, IEC/EN62208, EIA-310-D

© IP ENCLOSURES 2018.
 THIS DRAWING SHALL NOT BE COPIED OR REPRODUCED
 WITHOUT AUTHORISATION FROM IP ENCLOSURES.
 www.ipenclosures.com.au

Itemref	Quantity	Title/Name, designation, material, dimension etc	Article No./Reference
Designed by	Checked by	Approved by - date	Filename
IP	IP	02/07/18	IP-SD806060-RD
Date	Scale	Article No./Reference	
02/07/18	1:10	16U 850x600x600 IP66 19" DATA RACK	
Edition		Sheet	
4		1/1	

