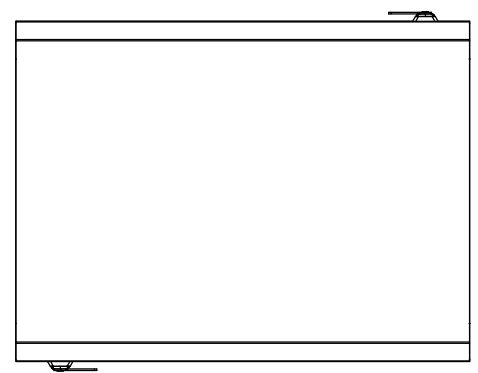
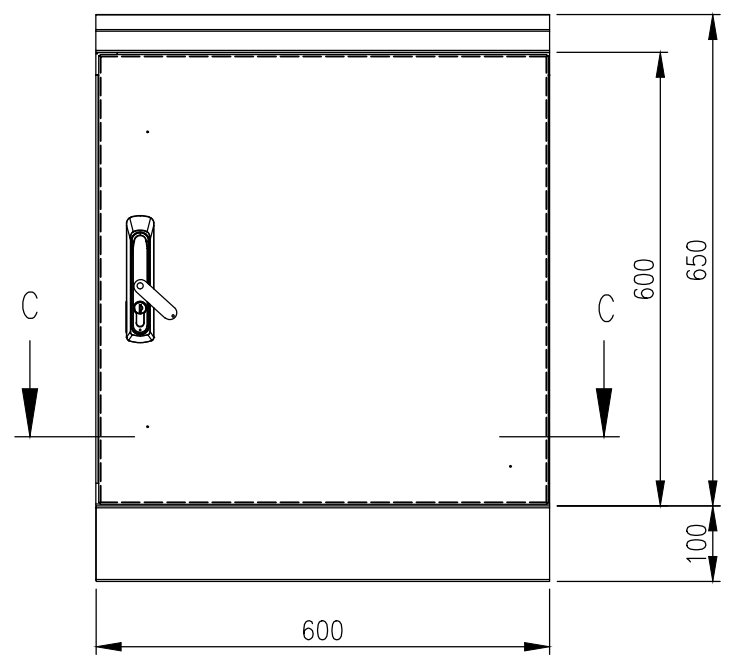
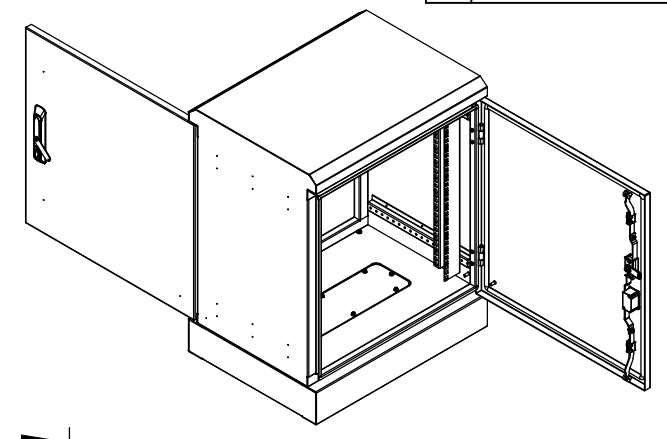


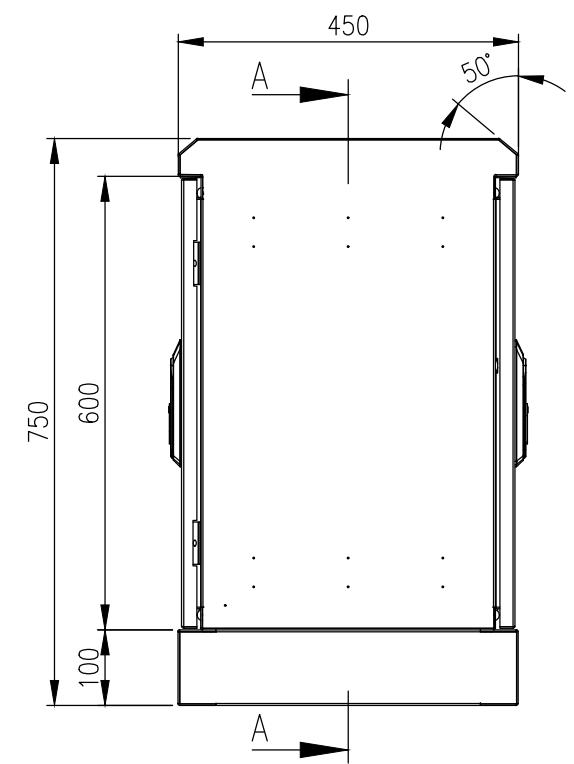
RevNo	Revision note	Date	Signature	Checked
1	GENERAL REVISION	09/10/25	IP	IP



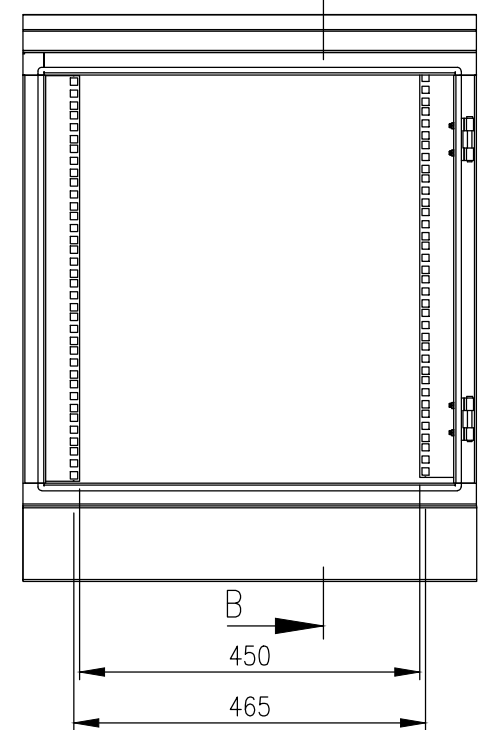
TOP VIEW



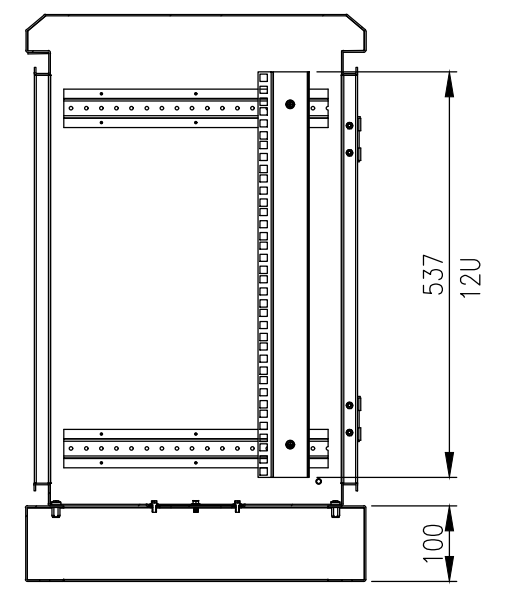
FRONT VIEW



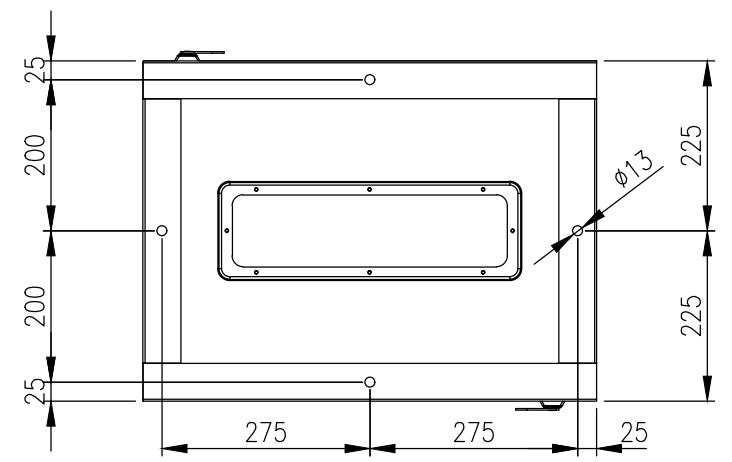
SIDE VIEW



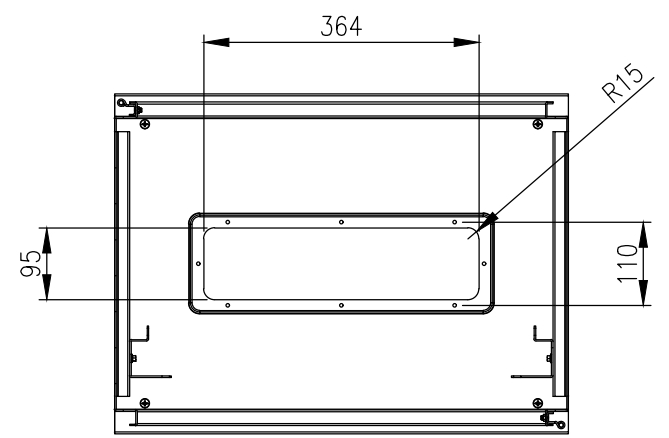
SECTION A-A



SECTION B-B



BOTTOM VIEW



SECTION C-C

MATERIAL
 BODY: 2.0mm GALVANISED STEEL SHEET
 DOOR: 2.0mm GALVANISED STEEL SHEET
 19" DATA RAILS: 1.5mm GALVANISED STEEL SHEET
 SEAL: POLYURETHANE
 SURFACE TREATMENT: POWDER-COAT 80-120micron
 COLOUR: RAL7035 LIGHT GREY

MASS: 24.0Kg

PROTECTION: IP66 IK10
STANDARD: IEC/EN/AS60529, IEC/EN62208, EIA-310-D

© IP ENCLOSURES 2024.
 THIS DRAWING SHALL NOT BE COPIED OR REPRODUCED
 WITHOUT AUTHORISATION FROM IP ENCLOSURES.
 www.ipenclosures.com.au

Itemref	Quantity	Title/Name, designation, material, dimension etc	Article No./Reference
Designed by IP	Checked by IP	Approved by - date 04/03/24	Filename IP-SD606045-RD
		Date 04/03/24	Scale 1:10
			12U 650x600x450 IP66 19" DATA RACK IP-SD606045-RD
Edition 1			Sheet 1/1