

SD-HD 19" Heavy Duty Data Rack IP-SD1976080

STEEL | FRONT & REAR SINGLE DOOR | IP55

19" 36U - 1970H x 600W x 800D

IP Enclosures SD-HD range of heavy duty IP55 19" data racks are designed for heavy duty outdoor applications to house sensitive data network equipment in harsh environments. They are suitable for internal and external installations. Heavy Duty data racks are constructed to withstand heavy loads associated with heavy equipment such as battery storage. Front and rear access doors are also provided.

Protection: IP55 IK10, NEMA 4

Standards (& Conformities): IEC/EN 60529, IEC/EN 62208, EIA-310-D, RoHS



Rack Unit Size: 36U

Material:

- Enclosure Body: 2.0mm galvanised steel sheet
- Enclosure Door: 2.0mm galvanised steel sheet
- 19" Data Rack Rails: 1.5mm galvanised steel sheet
- Gland Plate: 1.5mm galvanised steel sheet
- Enclosure Seal: Polyurethane. UL listed.

Body & 19" Rails: The robust monoblock body is 2.0 mm galvanised steel sheet. Precision automated manufacturing equipment ensures accuracy and consistent high quality. Flat face sealing surfaces increase seal life. A galvanised steel gland plate is also incorporated into the bottom face. The enclosure body and rails have been constructed to withstand heavy loads associated with heavy equipment such as heavy battery storage.

Enclosure Doors: The front and rear surface mounted doors are 2.0mm galvanised steel sheet. They incorporate concealed removable hinges with captive pins. Doors are also designed for a 110° opening. Each door contains integral cable management rail studs and an M6 earth stud. The cable management rails are removable to provide more space for control components. (Extra heavy duty range includes front and rear door).

Seal: A high quality machine-applied full perimeter UL listed Polyurethane seal foamed in place (FIP) provides excellent sealing over a long life. Temperature resistance -40°C to 80°C (160°C short term loading).

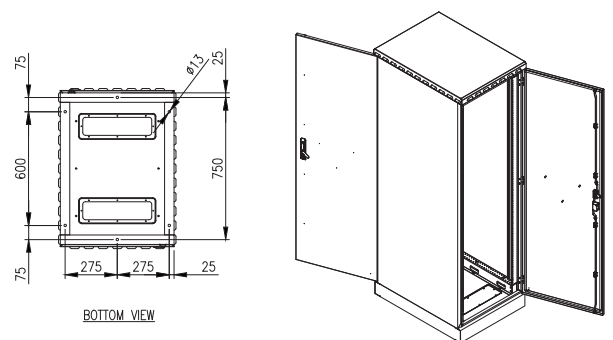
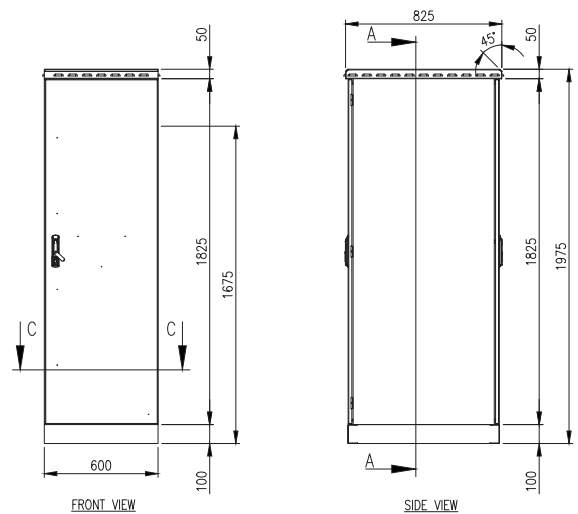
Enclosure Lock: 3 point locking system with key-lock swing handle. A full range of locking solutions are available upon request.

Gland Plates: Gland plates are incorporated into the bottom face of the enclosure for cable management. They are provided with gaskets and fasteners. The size and quantity vary according to enclosure size.

Surface Treatment: UL approved AkzoNobel epoxy polyester powder-coated with a textured finish. 80-120 micron average thickness. Colour RAL7035. (Other colours available upon request).

Mass: 150.0Kg.

Maximum Weight of Contents: 720.0Kg.



SD-HD 19" Heavy Duty Data Rack IP-SD1976080

STEEL | FRONT & REAR SINGLE DOOR | IP55

19" 36U - 1970H x 600W x 800D

ACCESSORIES:

| Part Number | Description |
|--------------------|---|
| IP-SDDINPANEL1 | 1U 19" DIN Terminal Rail |
| IP-SDCOVER1 | 1U 19" Cover Panel |
| IP-EMH1 | 1U 19" Cover Panel (Ventilated) |
| IP-SDDINPANEL2 | 2U 19" DIN Terminal Rail |
| IP-SDCOVER2 | 2U 19" Cover Panel |
| IP-EMH2 | 2U 19" Cover Panel (Ventilated) |
| IP-SDDINPANEL3 | 3U 19" DIN Terminal Rail |
| IP-SDCOVER3 | 3U 19" Cover Panel |
| IP-EMH3 | 3U 19" Cover Panel (Ventilated) |
| IP-SDDP3 | 3U 19" Distribution Board (Supplied with Cover Panel) |
| IP-SDDINBOX4RU | 4U 19" Rack Mounted DIN Rail Housing |
| IP-SDBOX4RU | 4U 19" Rack Mount Housing |
| IP-SDDINBOX6RU | 6U 19" Rack Mounted DIN Rail Housing |
| IP-SDBOX6RU | 6U 19" Rack Mount Housing |
| IP-SDDINBOX8RU | 8U 19" Rack Mounted DIN Rail Housing |
| IP-SDBOX8RU | 8U 19" Rack Mount Housing |
| IP-RCLF120 | 1U 19" Fixed Shelf; 200mmD |
| IP-RCLF130 | 1U 19" Fixed Shelf; 300mmD |
| IP-RCLF140 | 1U 19" Fixed Shelf; 400mmD |
| IP-RCLF240 | 2U 19" Fixed Shelf; 400mmD |
| IP-RCLF340 | 3U 19" Fixed Shelf; 400mmD |
| IP-RCHF130 | 1U 19" Fixed Shelf; 300mmD |
| IP-RCHF140 | 1U 19" Fixed Shelf; 400mmD |
| IP-RNG2U19 | 2U Cable Organiser for Data Rack |
| IP-M6SCREW-CAGENUT | M6 Cage Nut and Screw for 19" Data Racks - Pack of 50 |

CERTIFICATES:

IEC 60529 Degrees of protection provided by enclosures: Certificate AB-0386-T 2311.14.01/00

IEC/EN 62208 Empty Enclosures for low-voltage switchgear and controlgear assemblies: Certificate 0366932-TSE-01/01

CE Certificate of Compliance: Certificate SZT-24 MA 33485-1

UKCA Certificate of Compliance: Certificate SZT-25 MA 38734-1

Products are manufactured to Quality, Safety and Environmental Standards.

WARRANTY: 5 years.