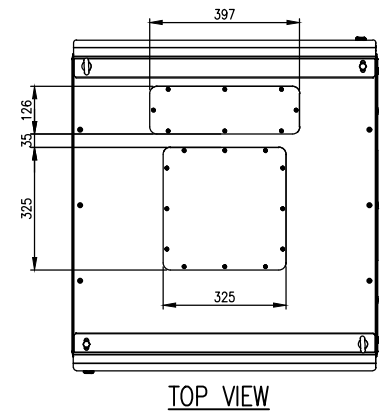
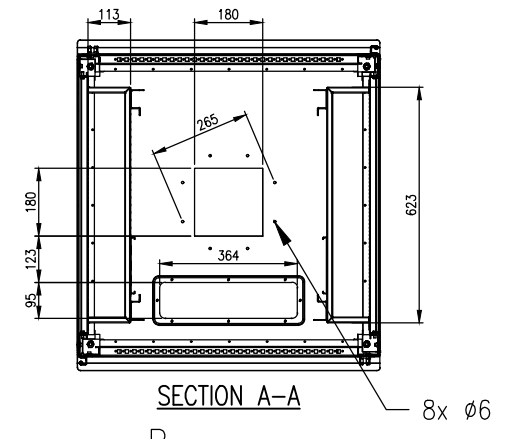


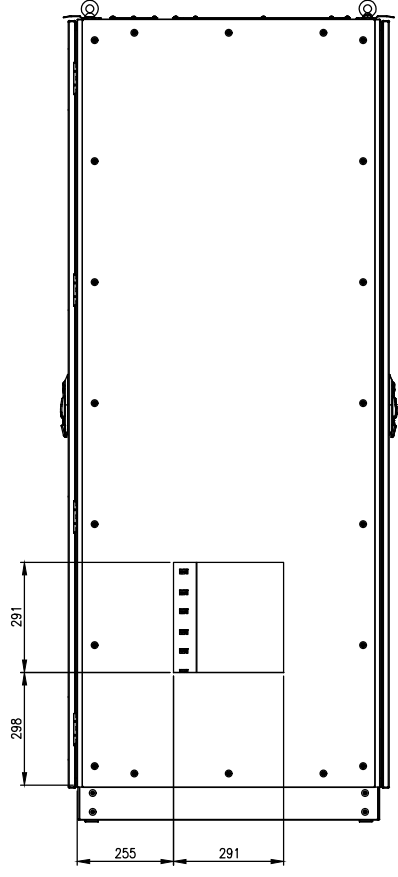
RevNo	Revision note	Date	Signature	Checked
	GENERAL REVISION		IP	IP



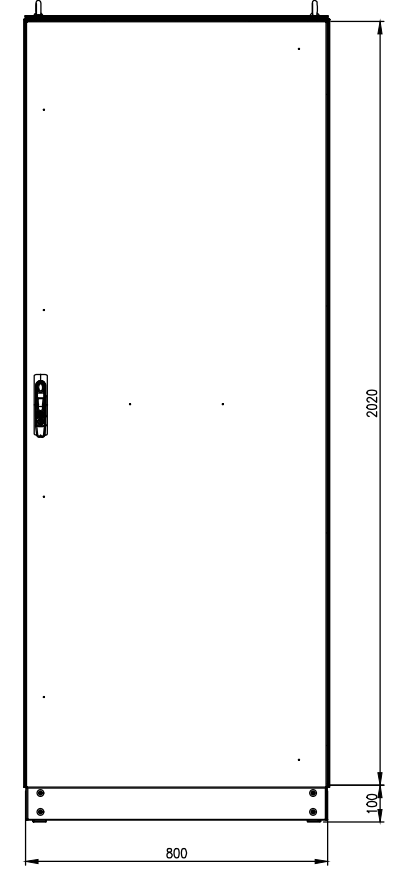
TOP VIEW



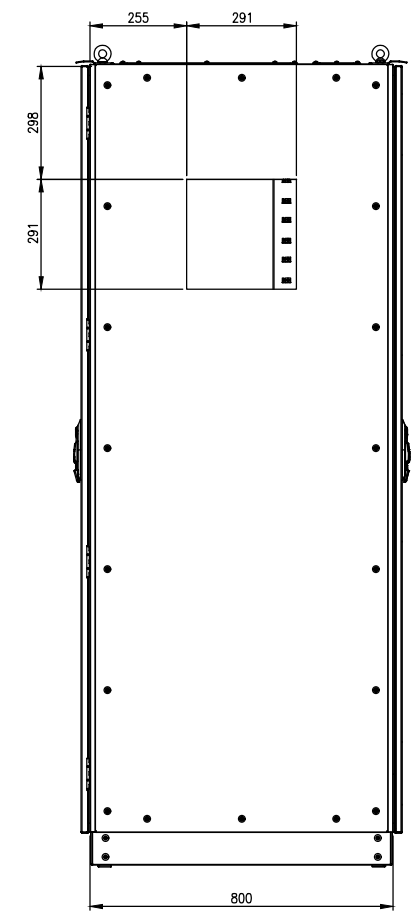
SECTION A-A



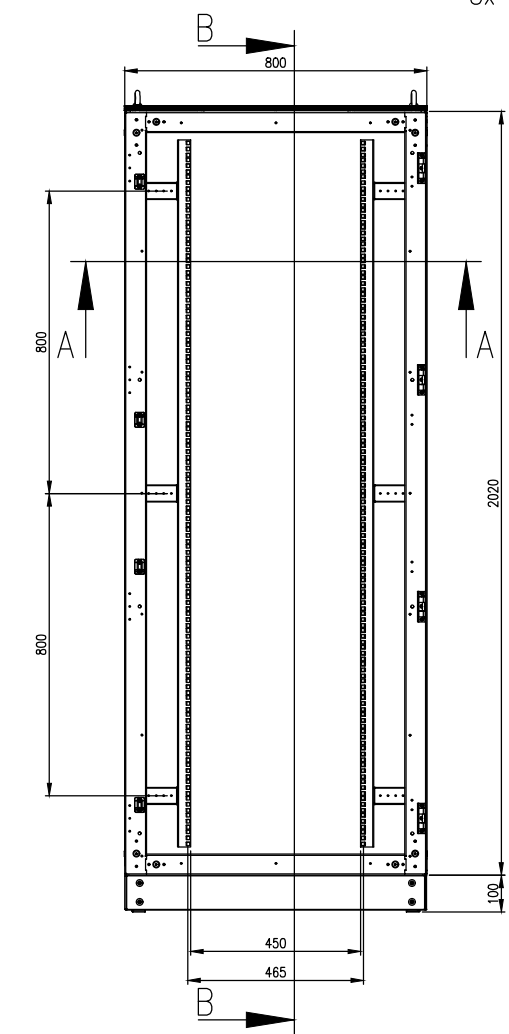
LEFT SIDE VIEW



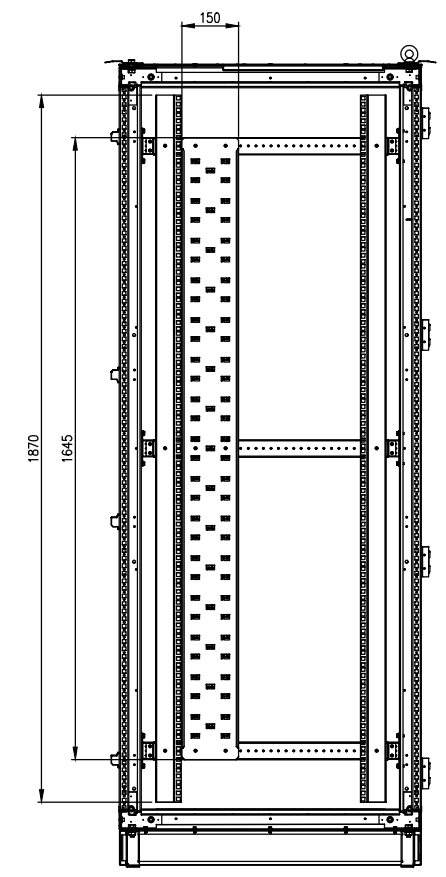
FRONT VIEW (ASSEMBLY)



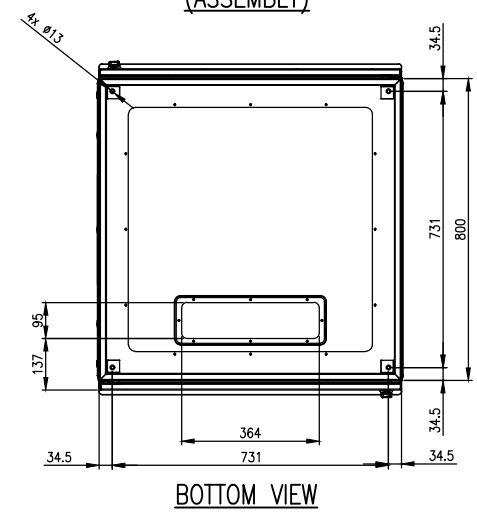
RIGHT SIDE VIEW



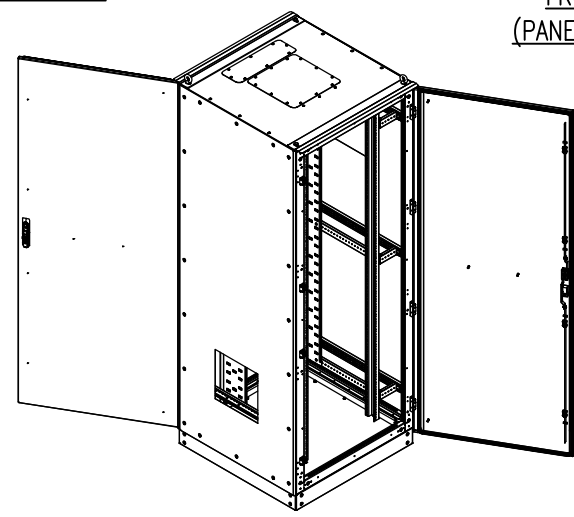
FRONT VIEW (PANEL REMOVED)



SECTION B-B



BOTTOM VIEW



MATERIAL
 MAIN FRAME: 2.0mm GALVANISED STEEL PROFILE
 PANELS: 1.2mm GALVANISED STEEL SHEET
 DOORS: 2.0mm GALVANISED STEEL SHEET
 19" DATA RAILS: 2.0mm GALVANISED STEEL SHEET
 GLAND PLATES: 1.5mm GALVANISED STEEL SHEET
 SEAL: EPDM
 SURFACE TREATMENT: POWDER-COAT 80-120micron
 STANDARD COLOUR: RAL7035 LIGHT GREY

MASS: 189.0Kg.

PROTECTION: IP55
 STANDARD: IEC/EN 62208, IEC/EN/AS60529
 ORDERING INFORMATION:
 - ENCLOSURE: IP-MFS2208080
 - SIDE PANEL: IP-MFSP22080
 - BASE: IP-MFSB8080

© IP ENCLOSURES 2026.
 THIS DRAWING SHALL NOT BE COPIED OR REPRODUCED
 WITHOUT AUTHORISATION FROM IP ENCLOSURES.
 www.ipenclosures.com.au

Itemref	Quantity	Title/Name, designation, material, dimension etc	Article No./Reference
IP	1	42U IP55 MFS CABINET 800Wx800D with CUTOUTS	IP-MFS2208080-KIT19
Designed by	Checked by	Approved by - date	Filename Date Scale
IP	IP	18/02/26	IP-MFS2208080-KIT19 18/02/26 1:20
IP Enclosures		Edition 0 Sheet 1/1	