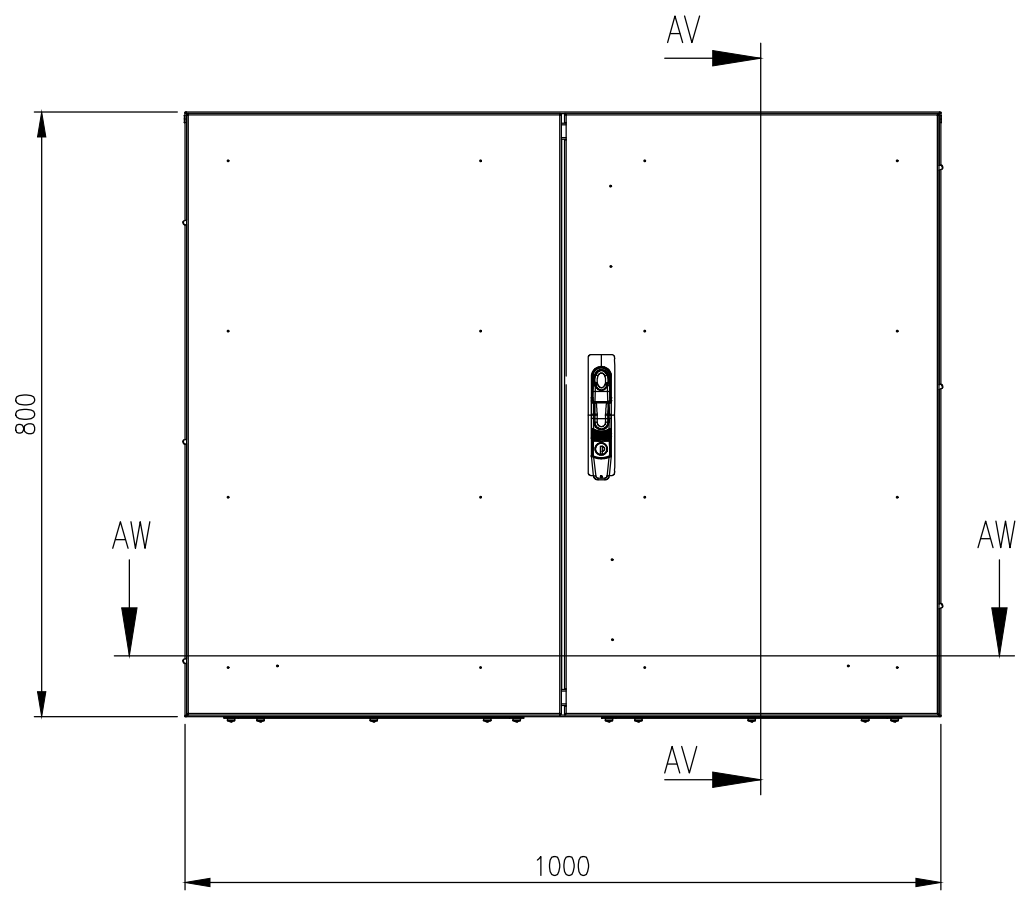
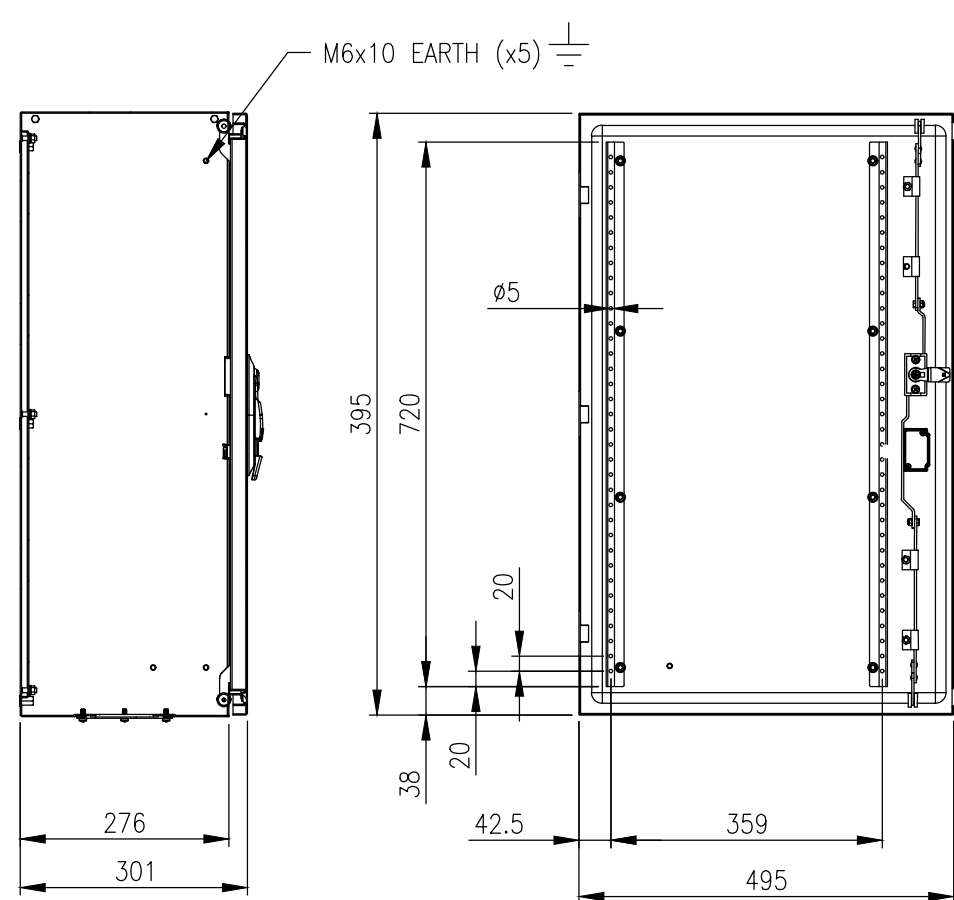


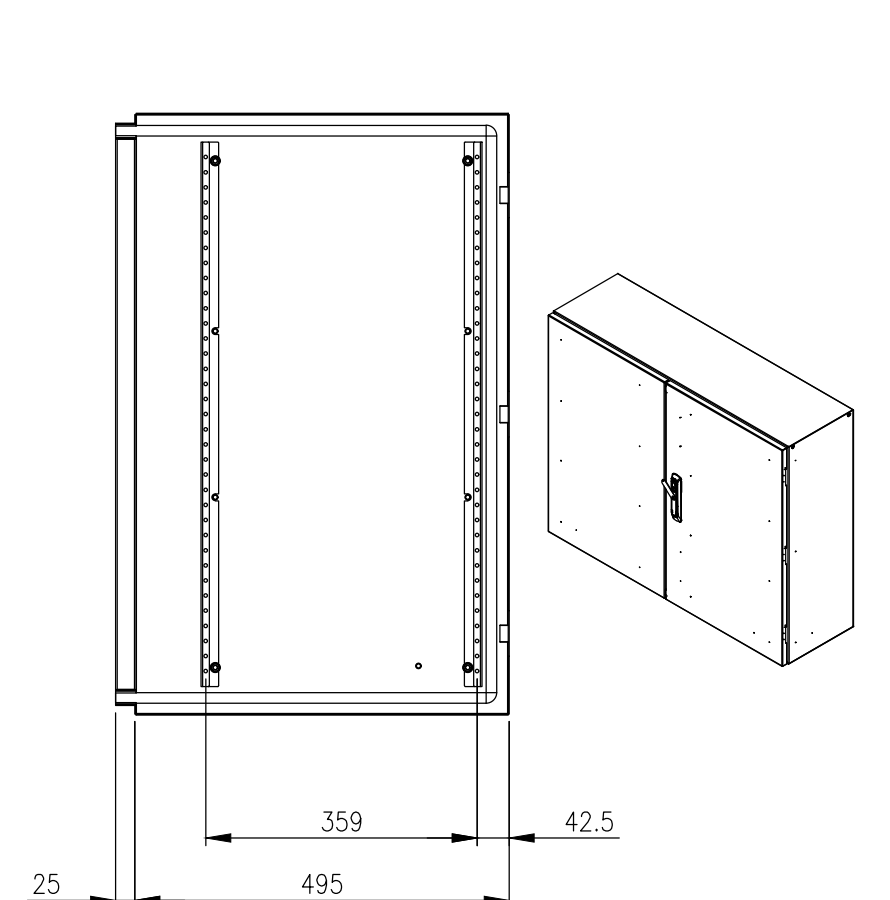
RevNo	Revision note	Date	Signature	Checked
	GENERAL REVISION		IP	IP



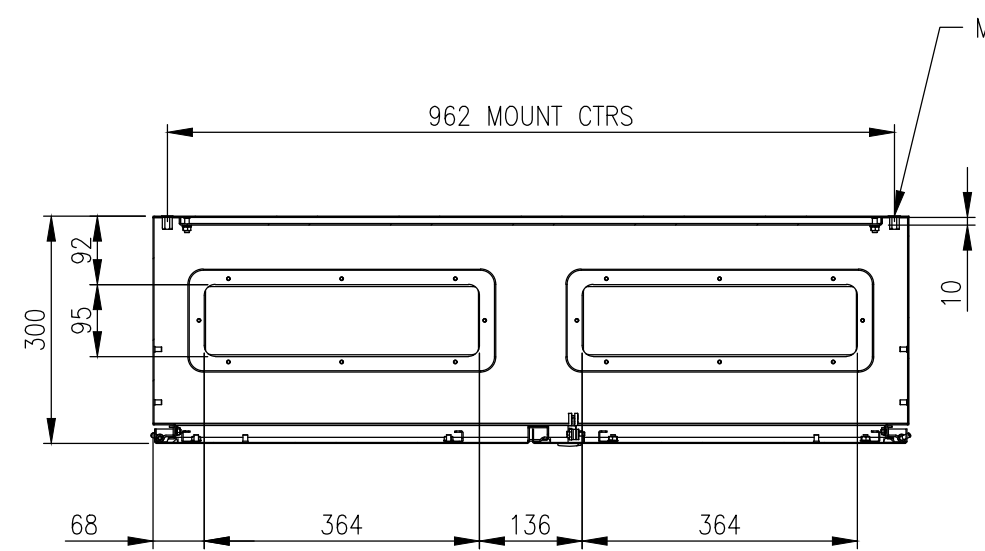
FRONT VIEW



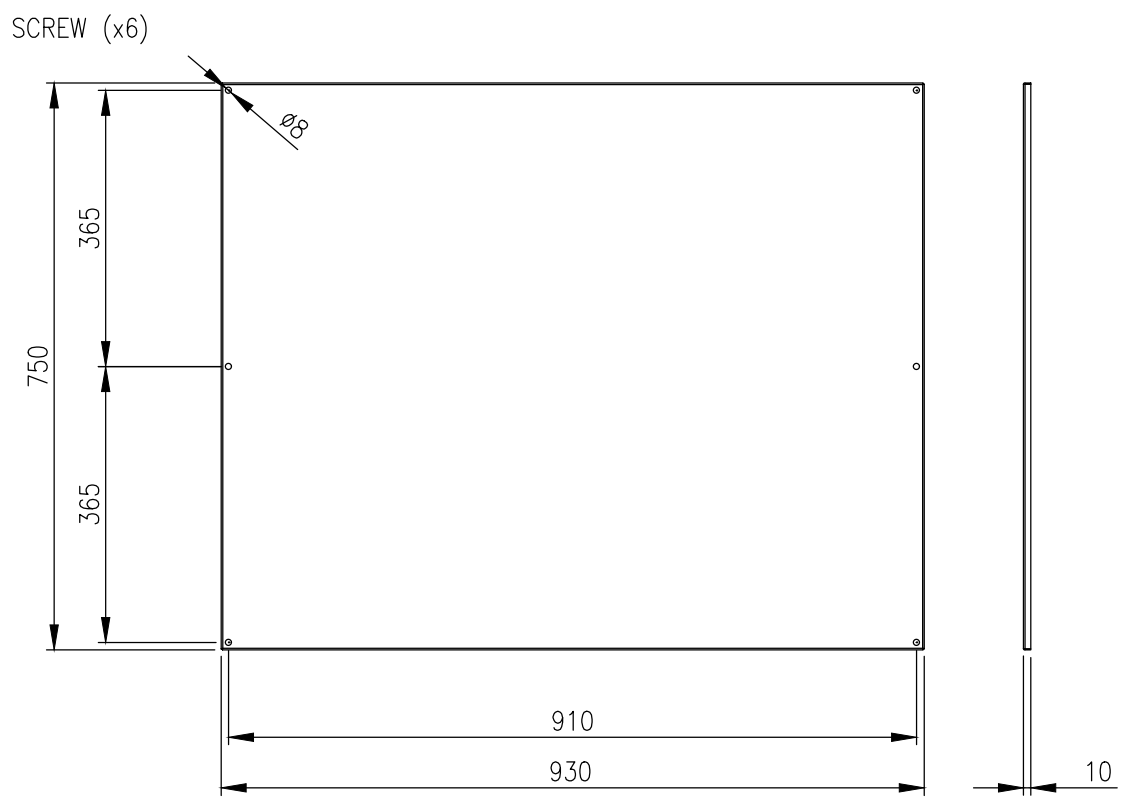
SECTION AV-AV



INSIDE DOOR VIEW



SECTION AW-AW



DEVICE MOUNTING PLATE

MATERIAL
 BODY: 1.5mm GALVANISED STEEL SHEET
 DOOR: 1.5mm GALVANISED STEEL SHEET
 DEVICE PLATE: 1.5mm GALVANISED STEEL SHEET
 GLAND PLATE: 1.5mm GALVANISED STEEL SHEET
 SEAL: POLYURETHANE
 SURFACE TREATMENT: POWDER-COAT 80-120micron
 COLOUR: RAL7035 LIGHT GREY

MASS: 45.0Kg.

PROTECTION: IP55 IK10 (NEMA 3)
 STANDARD: IEC/EN62208, IEC/EN/AS60529

IMPORTANT NOTE:
 WALL MOUNTING BRACKETS ARE NOT INCLUDED AND MUST BE ORDERED SEPARATELY.

Itemref	Quantity	Title/Name, designation, material, dimension etc	Article No./Reference
IP	1	800x1000x300 STEEL ENCLOSURE	IP-L8010030
Designed by	Checked by	Approved by - date	Filename
IP	IP	25/11/25	IP-L8010030
Date	Scale	Edition	
25/11/25	1:10	0	
Sheet			1/1

© IP ENCLOSURES 2025.
 THIS DRAWING SHALL NOT BE COPIED OR REPRODUCED WITHOUT AUTHORISATION FROM IP ENCLOSURES.
 www.ipenclosures.co.uk