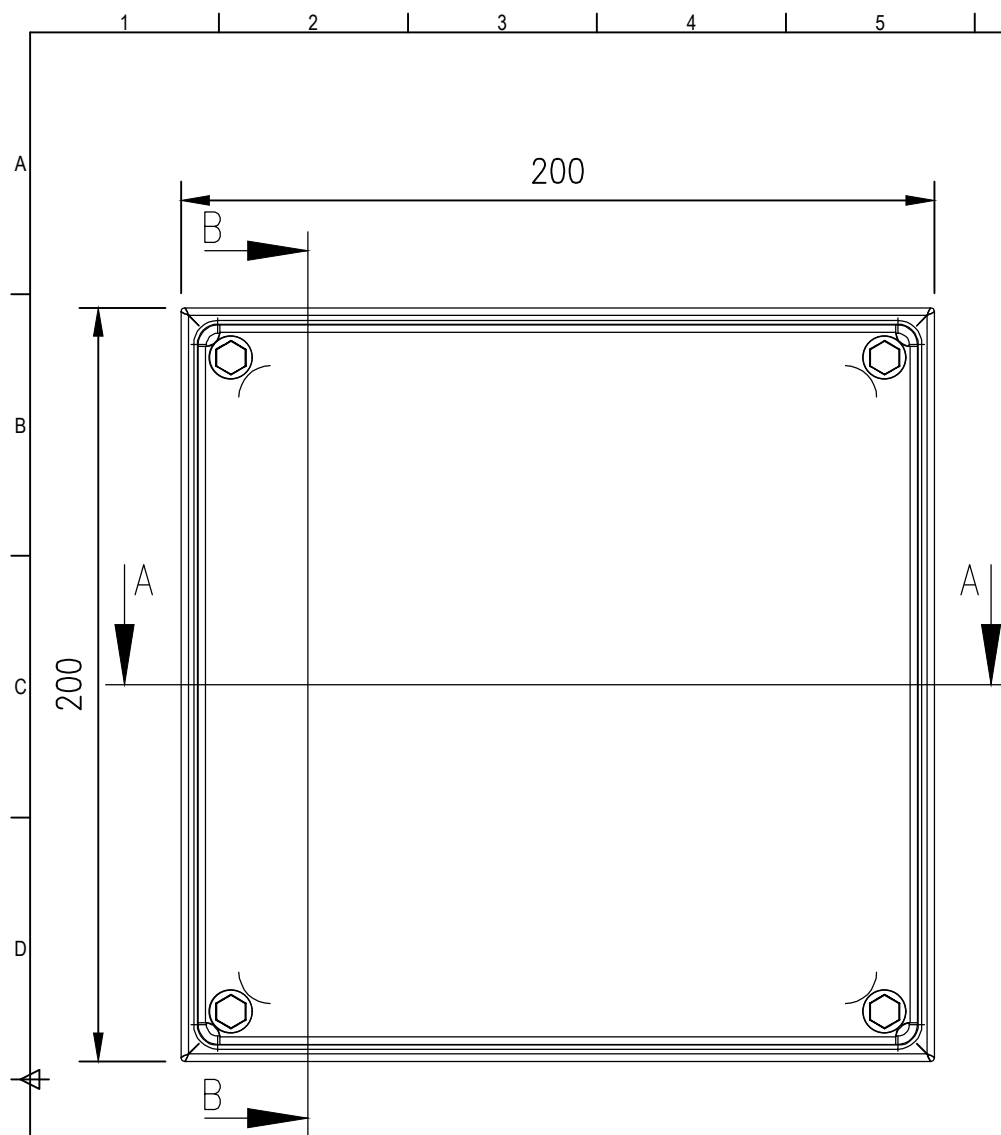
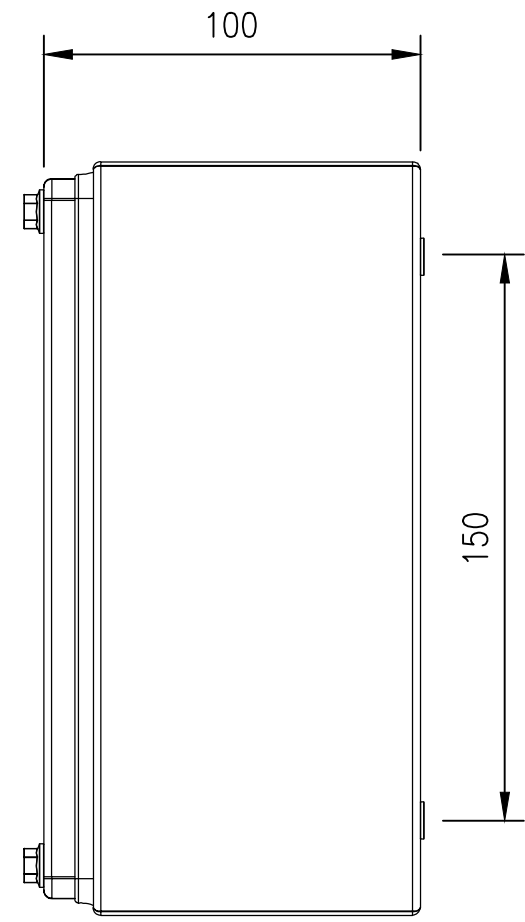


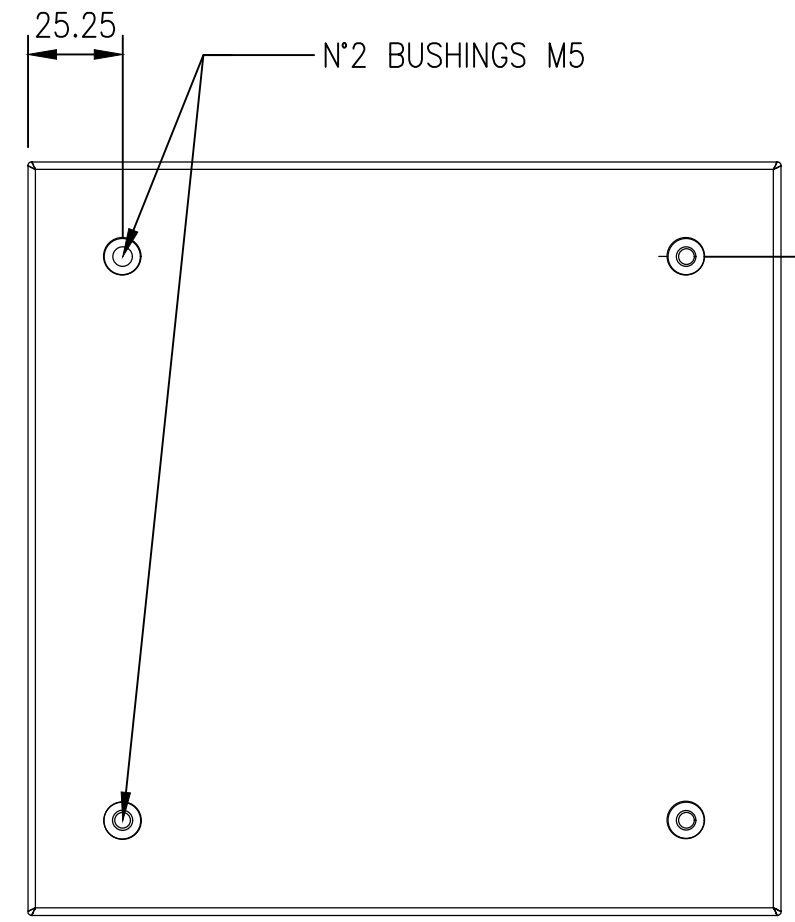
|       |                  |      |           |         |
|-------|------------------|------|-----------|---------|
| RevNo | Revision note    | Date | Signature | Checked |
| 0     | GENERAL REVISION |      | IP        | IP      |



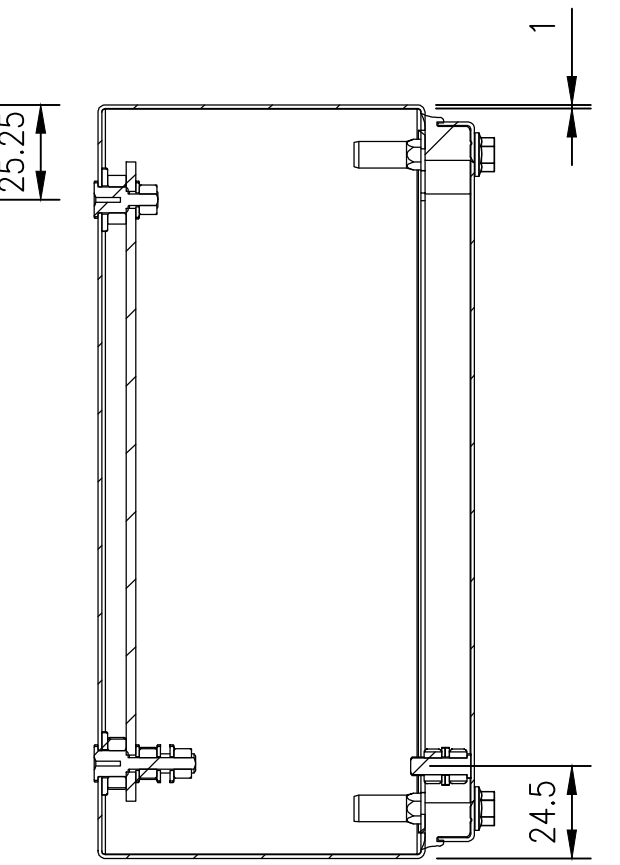
FRONT VIEW



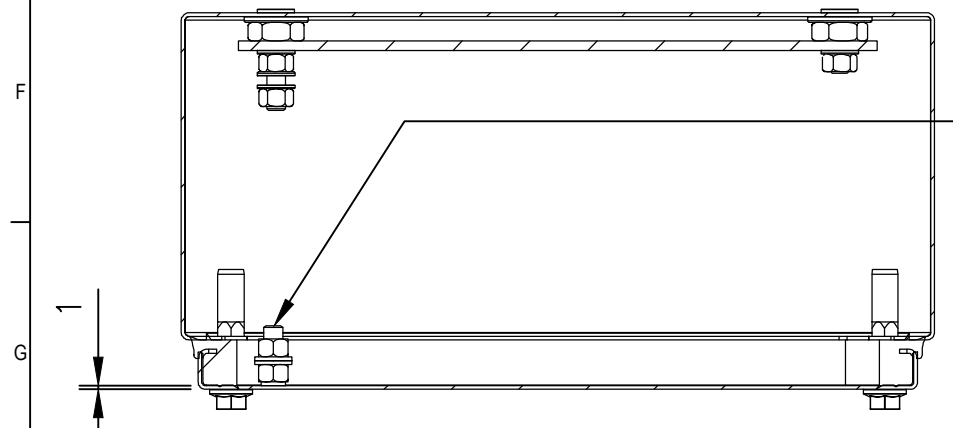
RIGHT SIDE VIEW



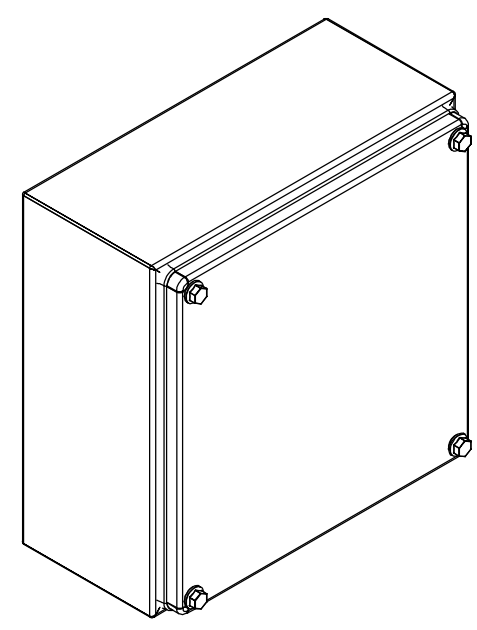
REAR VIEW



SECTION B-B



SECTION A-A



**MATERIAL**  
 BODY: 1.0mm 304 STAINLESS STEEL  
 COVER: 1.0mm 304 STAINLESS STEEL  
 SEAL: BLUE SILICONE

**PROTECTION:** IP66 IK08, IP69K,  
 NEMA TYPE 1, 12, 4, 4x

© IP ENCLOSURES 2023.  
 THIS DRAWING SHALL NOT BE COPIED OR REPRODUCED  
 WITHOUT AUTHORISATION FROM IP ENCLOSURES.  
 www.ipenclosures.com.au

|             |            |  |                       |
|-------------|------------|--|-----------------------|
| Itemref     | Quantity   | Title/Name, designation, material, dimension etc | Article No./Reference |
| IP          | 1          | 200x200x100 IP69K TERMINAL BOX                   | IP-HTB2020            |
| Designed by | Checked by | Approved by - date                               | Filename              |
| IP          | IP         | 17/04/23   | IP-HTB2020            |
| Date        | Scale      | Edition  | Sheet                 |
| 17/04/23    | 1:2        | 0  | 1/1                   |