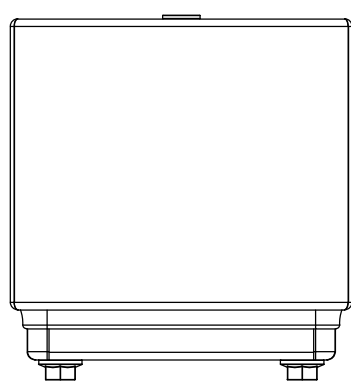
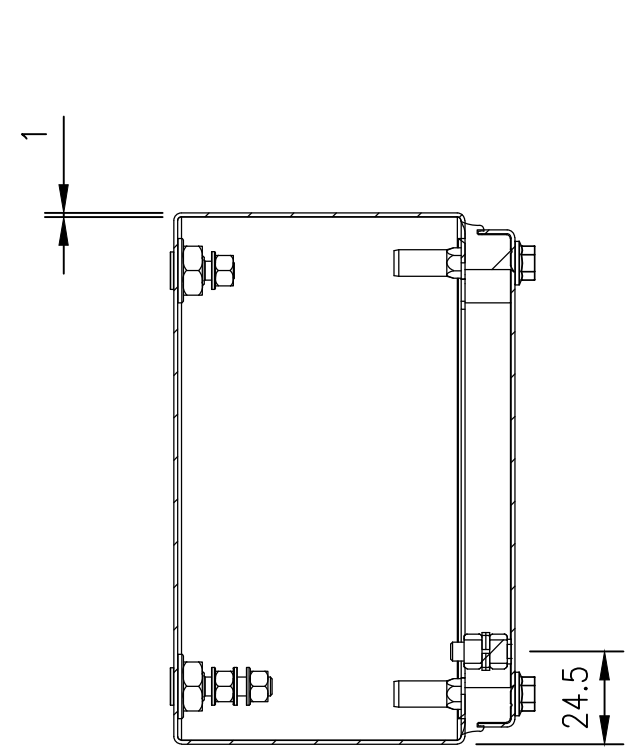
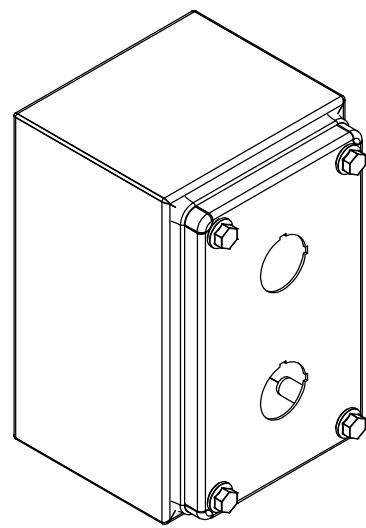


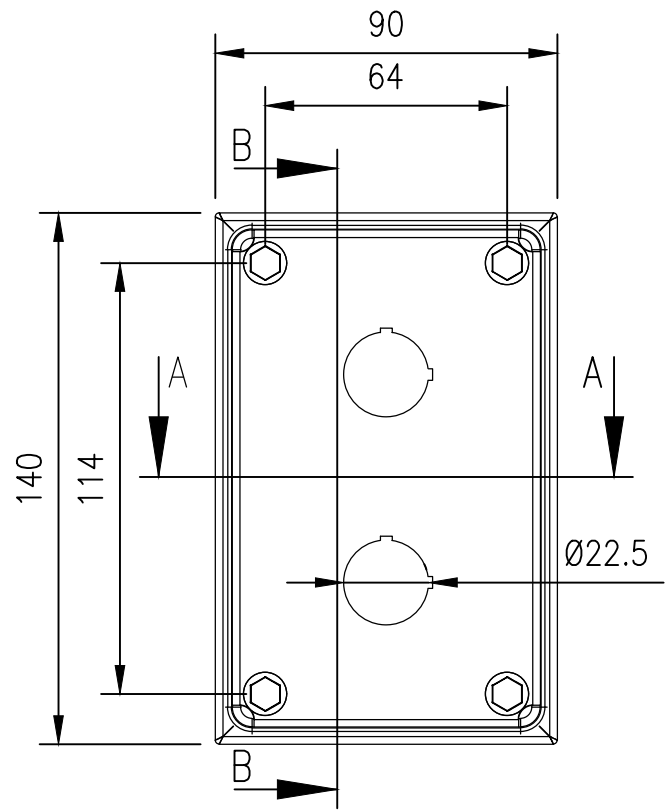
RevNo	Revision note	Date	Signature	Checked
0	GENERAL REVISION		IP	IP



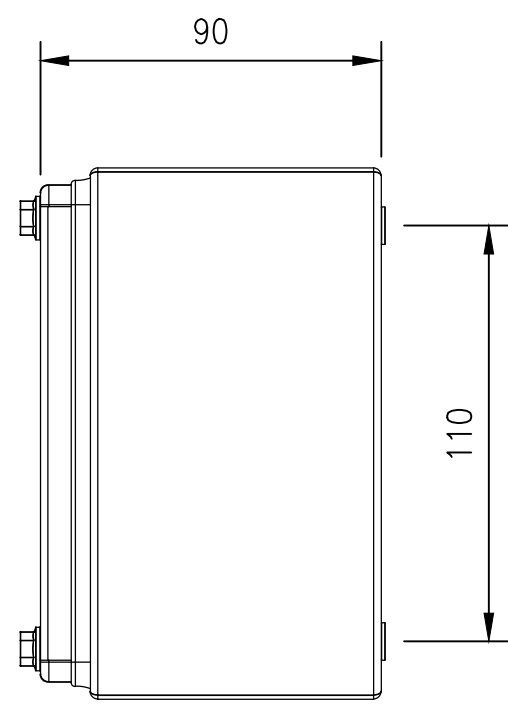
TOP VIEW



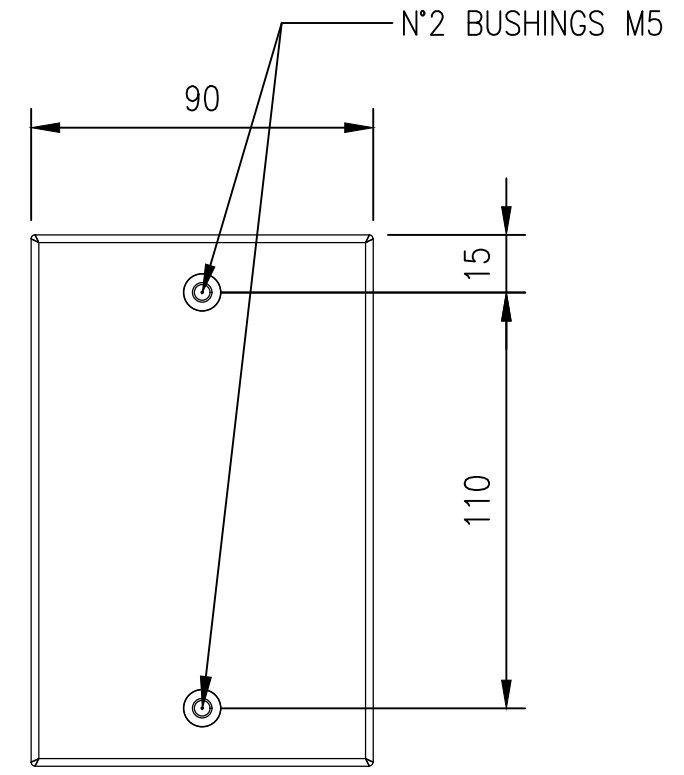
SECTION B-B



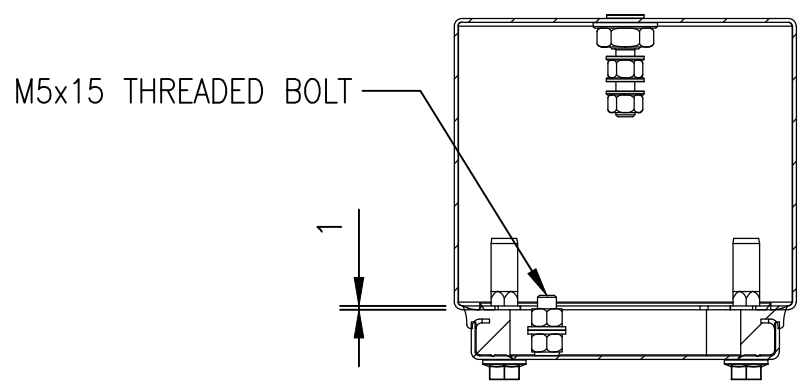
FRONT VIEW



RIGHT SIDE VIEW



REAR VIEW



BOTTOM VIEW

MATERIAL
 BODY: 1.0mm 304 STAINLESS STEEL
 COVER: 1.0mm 304 STAINLESS STEEL
 SEAL: BLUE SILICONE

PROTECTION: IP66 IK08, IP69K,
 NEMA TYPE 1, 12, 4, 4x

© IP ENCLOSURES 2023.
 THIS DRAWING SHALL NOT BE COPIED OR REPRODUCED
 WITHOUT AUTHORISATION FROM IP ENCLOSURES.
 www.ipenclosures.com.au

Itemref	Quantity	Title/Name, designation, material, dimension etc	Article No./Reference
IP	1	140x90x90 304SS PUSHBUTTON ENCLOSURE	IP-HPB2
Designed by	Checked by	Approved by - date	Filename
IP	IP	20/03/23	IP-HPB2
Date	Scale	Edition	
20/03/23	1:2	0	Sheet 1/1