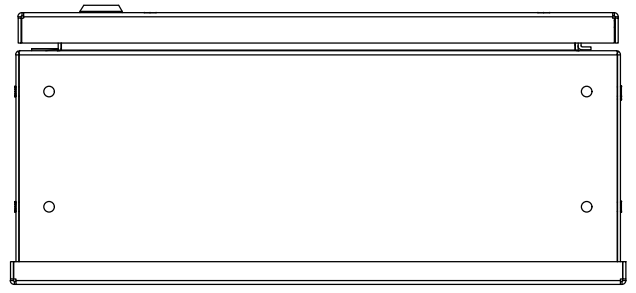
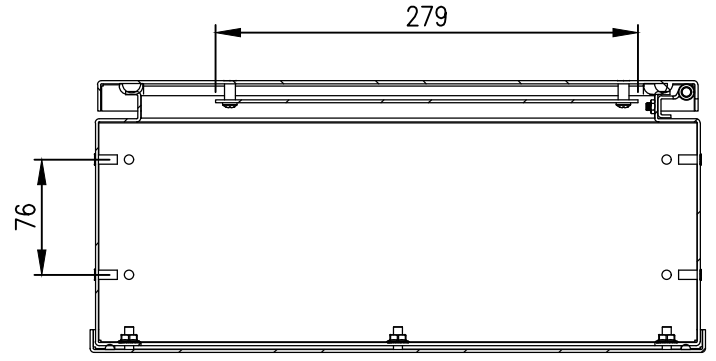


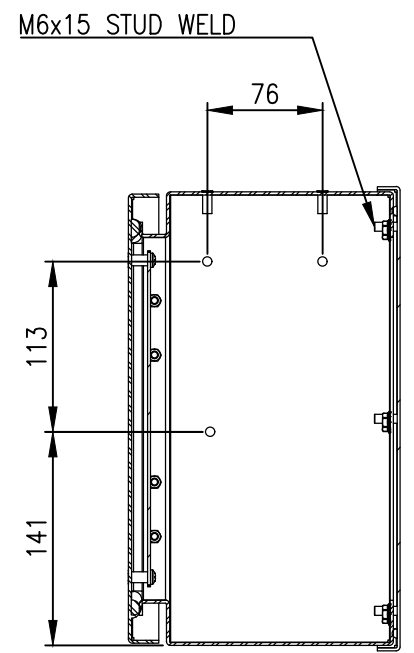
RevNo	Revision note	Date	Signature	Checked
0	GENERAL REVISION		IP	IP



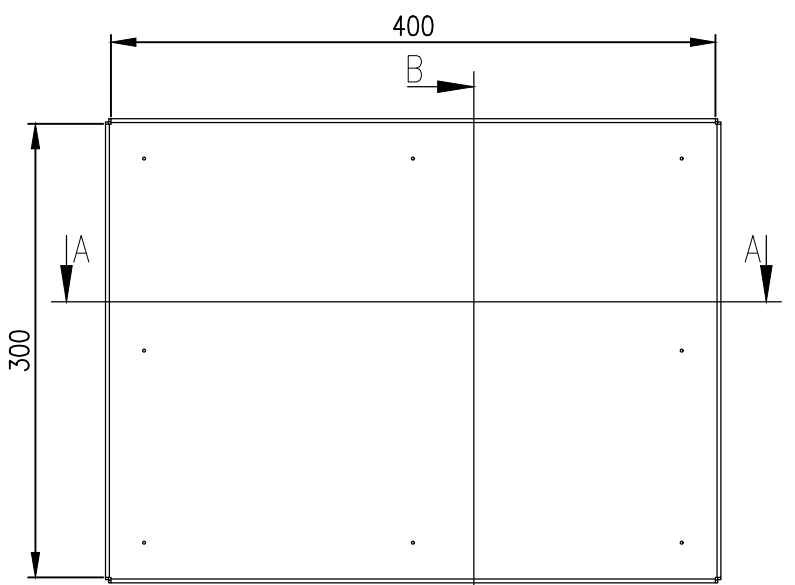
TOP VIEW



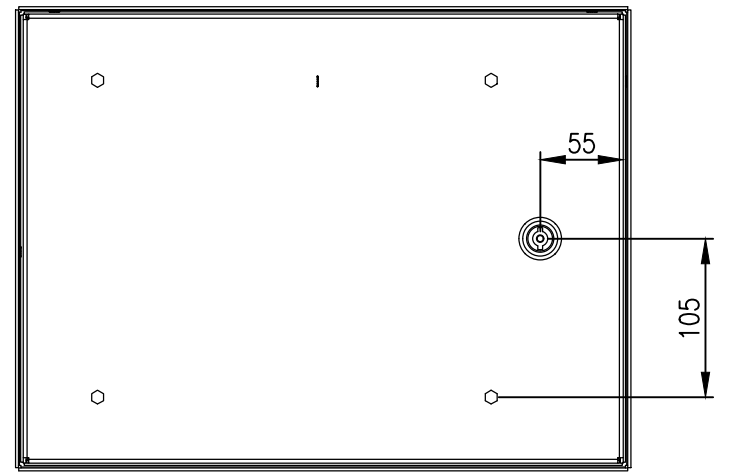
SECTION A-A



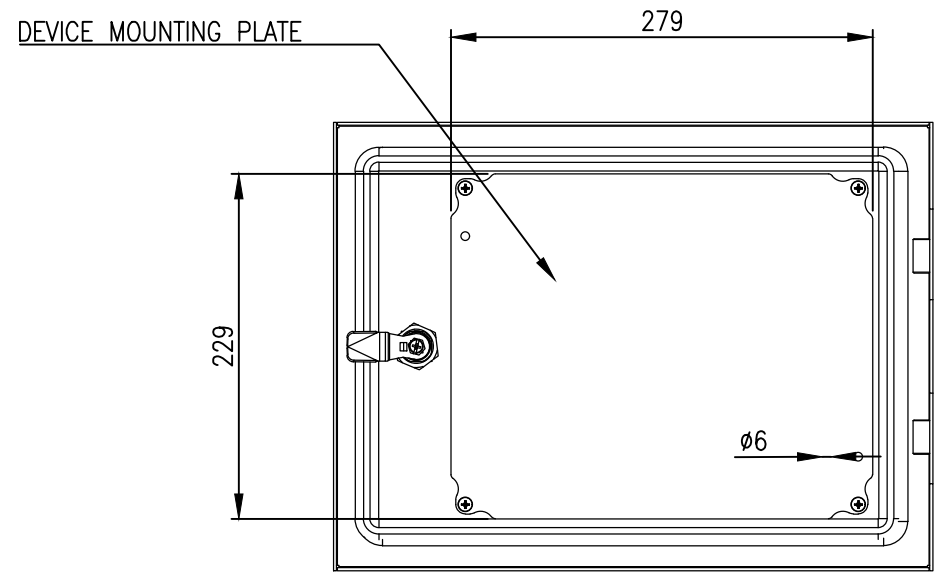
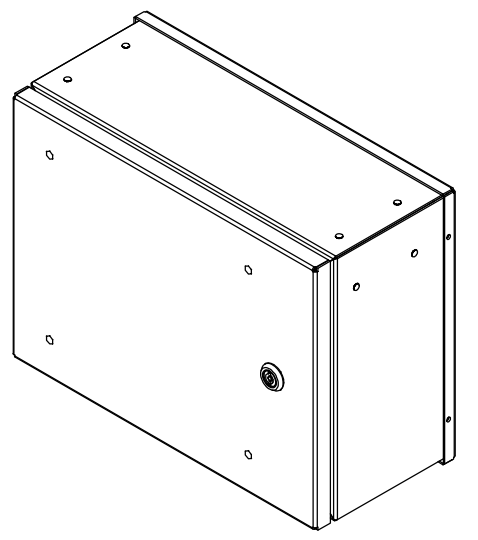
SECTION B-B



FRONT VIEW



REAR VIEW



REAR-DOOR INTERIOR VIEW

MATERIAL
ENCLOSURE BODY: 2.0mm GALVANISED STEEL SHEET
ENCLOSURE DOOR: GALVANISED STEEL SHEET
ENCLOSURE FRONT PANEL: GALVANISED STEEL SHEET
ENCLOSURE SEAL: POLYURETHANE
SURFACE TREATMENT: POWDER-COAT 80-120 MICRON
STANDARD COLOUR: RAL7035

PROTECTION: IP66
STANDARD: AS/EN/IEC60529

© IP ENCLOSURES 2022.
THIS DRAWING SHALL NOT BE COPIED OR REPRODUCED WITHOUT
AUTHORISATION FROM IP ENCLOSURES.
www.ipenclosures.com.au

Itemref	Quantity	Title/Name, designation, material, dimension etc	Article No./Reference
IP	1	300Hx400Wx150D STEEL HMI ENCLOSURE	IP-HMI304015
Designed by	Checked by	Approved by - date	Filename
IP	IP	09/08/22	IP-HMI304015
Date	Scale	Edition	
09/08/22	1:5	0	
Sheet			1/1