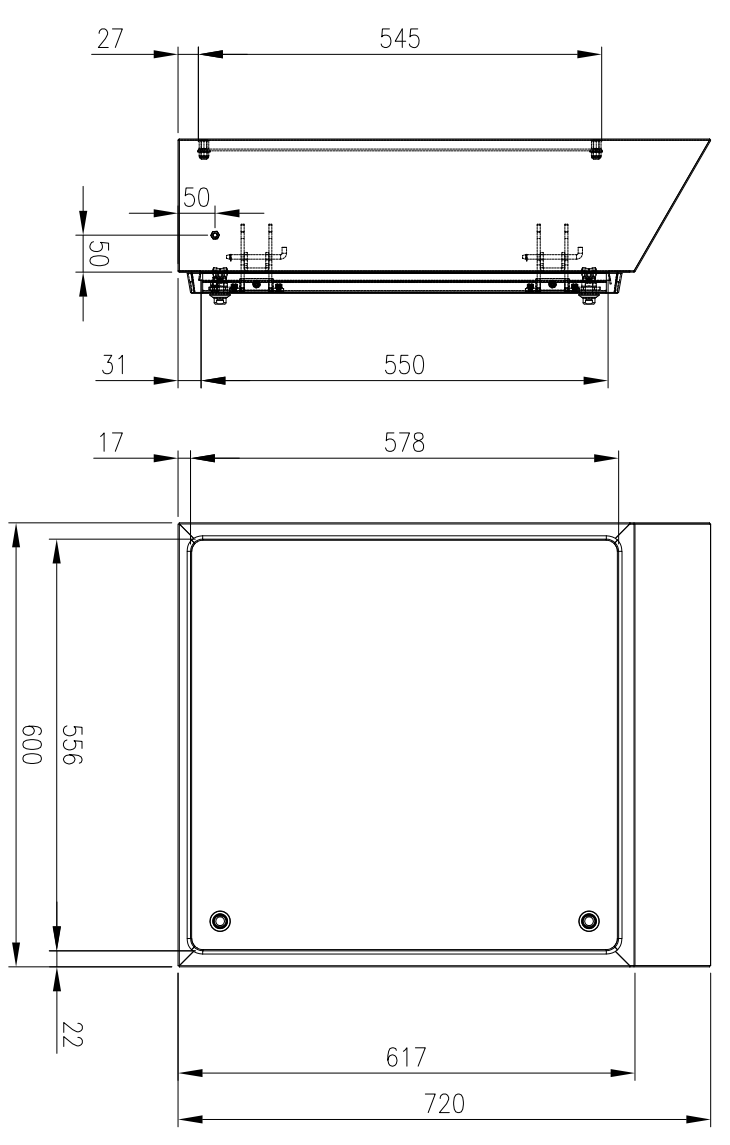


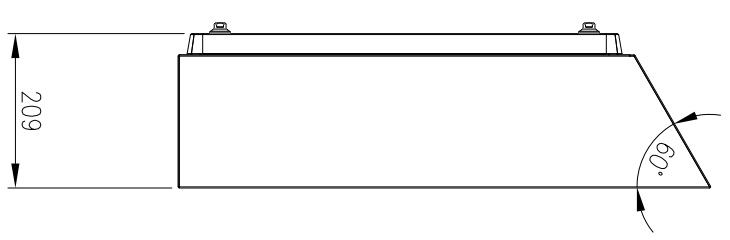


TOP VIEW

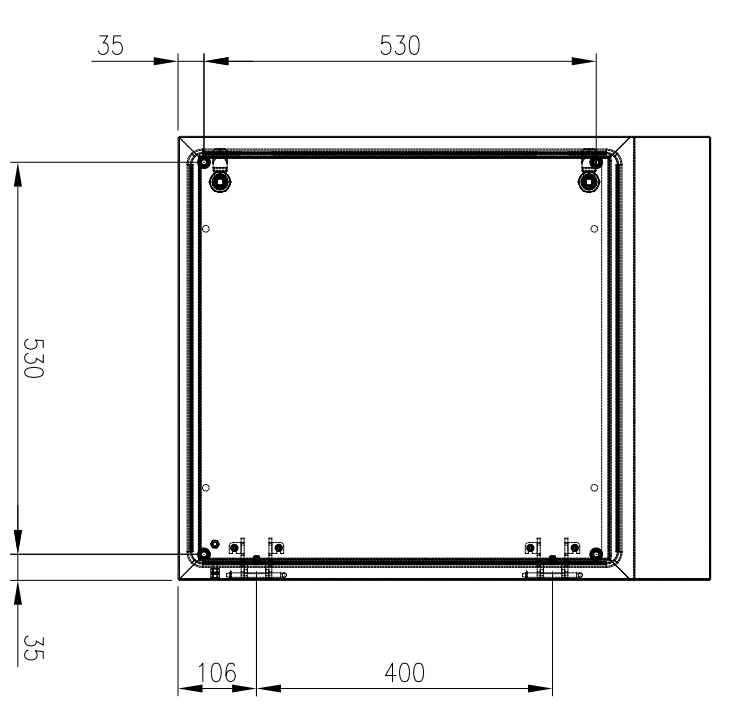


SIDE VIEW

FRONT VIEW



SIDE VIEW



REAR VIEW

MATERIAL
 BODY: 304 STAINLESS STEEL
 DOOR: 304 STAINLESS STEEL
 DEVICE PLATE: GALVANISED STEEL SHEET
 SEAL: BLUE SILICONE. FDA COMPLIANT

PROTECTION: IP66, IP69K
STANDARD: DGVV EN1672-2, EN62208, EN/AS60529

© IP ENCLOSURES 2016.
 THIS DRAWING SHALL NOT BE COPIED OR REPRODUCED
 WITHOUT AUTHORISATION FROM IP ENCLOSURES.
 www.ipenclosures.com.au

Item#	Quantity	TradeName, designation, material, dimension etc.	Article No./Reference	Scale										
IP	1	600X600X210 IP69K HYGIENIC ENCLOSURE	IP-H606021	1:10										
<table border="1"> <tr> <td>Designed by</td> <td>Checked by</td> <td>Approved by - date</td> <td>Filename</td> <td>Date</td> </tr> <tr> <td>IP</td> <td>IP</td> <td>20/05/21</td> <td>IP-H606021</td> <td>20/05/21</td> </tr> </table>				Designed by	Checked by	Approved by - date	Filename	Date	IP	IP	20/05/21	IP-H606021	20/05/21	Sheet
Designed by	Checked by	Approved by - date	Filename	Date										
IP	IP	20/05/21	IP-H606021	20/05/21										
<table border="1"> <tr> <td>IP Enclosures</td> <td>IP-H606021</td> <td>2</td> <td>1/1</td> </tr> </table>				IP Enclosures	IP-H606021	2	1/1							
IP Enclosures	IP-H606021	2	1/1											