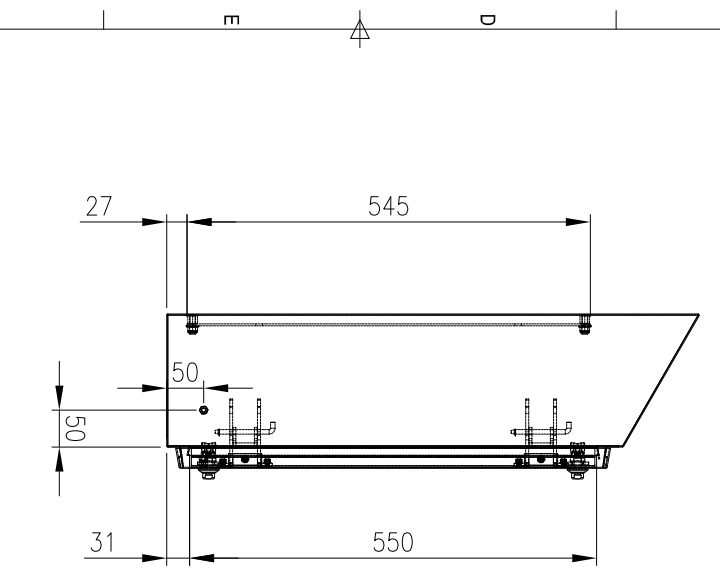
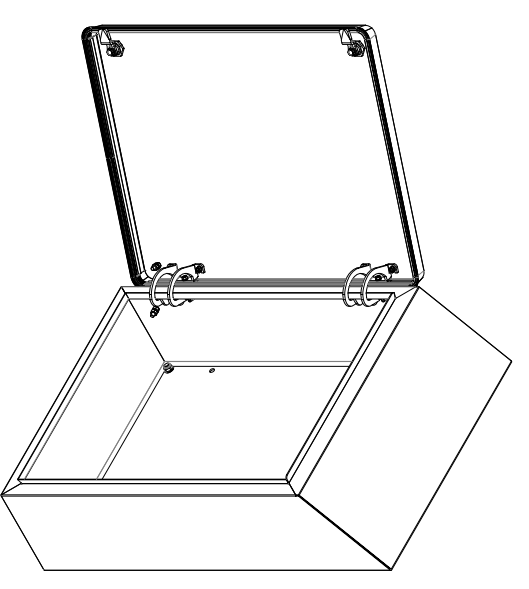
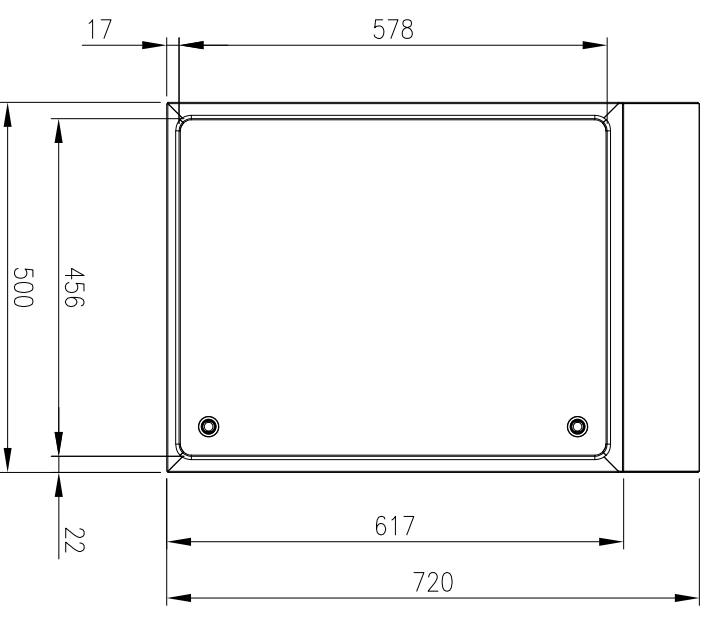


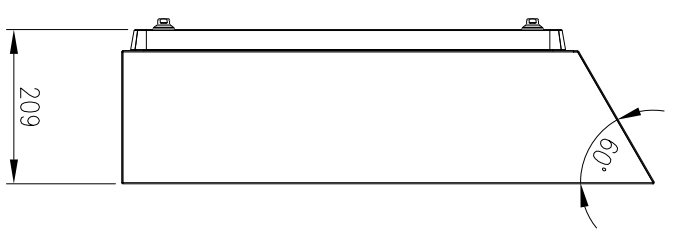
TOP VIEW



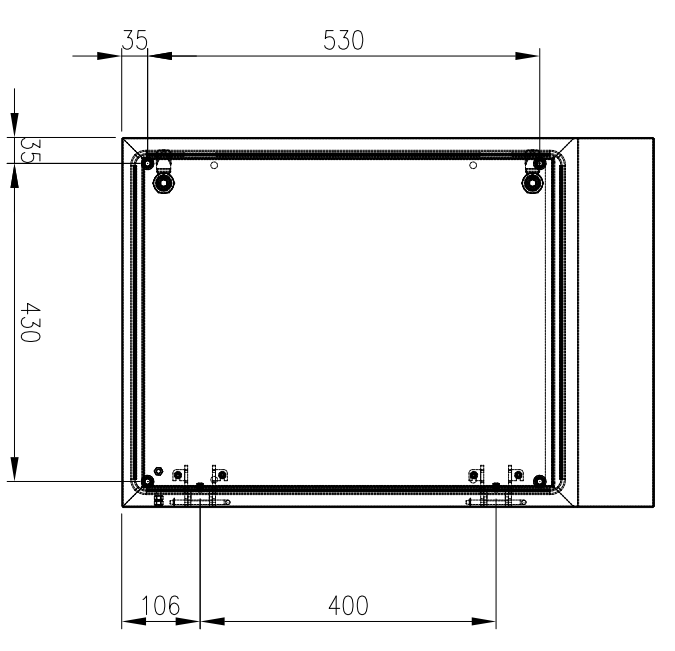
SIDE VIEW



FRONT VIEW



SIDE VIEW



REAR VIEW

MATERIAL
 BODY: 304 STAINLESS STEEL
 DOOR: 304 STAINLESS STEEL
 DEVICE PLATE: GALVANISED STEEL SHEET
 SEAL: BLUE SILICONE. FDA COMPLIANT

PROTECTION: IP66, IP69K
STANDARD: DGVV EN1672-2, EN62208, EN/AS60529

© IP ENCLOSURES 2016.
 THIS DRAWING SHALL NOT BE COPIED OR REPRODUCED
 WITHOUT AUTHORISATION FROM IP ENCLOSURES.
 www.ipenclosures.com.au

| | | | |
|--------------------------------------|------------|--|-----------------------|
| Item# | Quantity | TradeName, designation, material, dimension etc. | Article No./Reference |
| IP | | | |
| Designed by | Checked by | Approved by - date | Filename |
| IP | IP | 20/05/21 | IP-H605021 |
| 600X500X210 IP69K HYGIENIC ENCLOSURE | | | Date |
| | | | 20/05/21 |
| | | | Scale |
| | | | 1:10 |
| | | | Sheet |
| | | | 1/1 |

