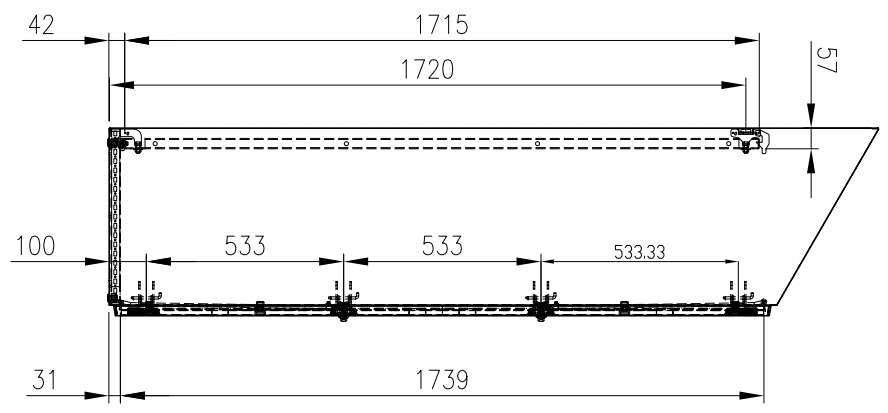
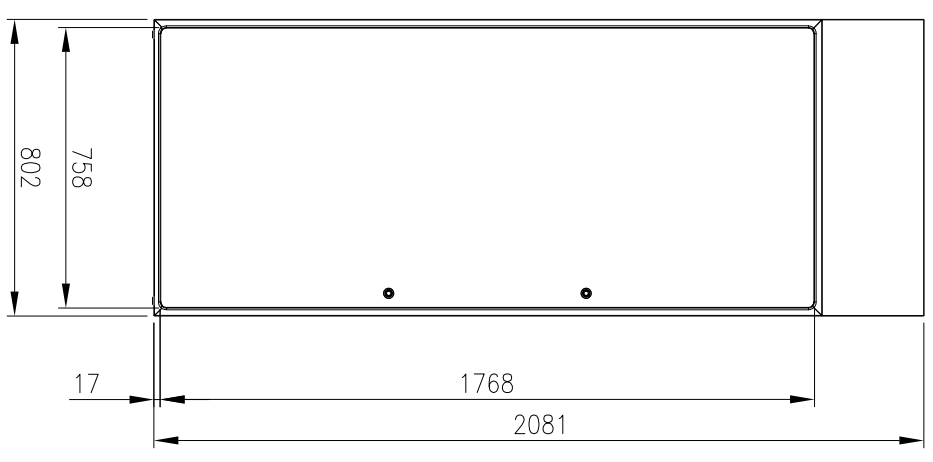


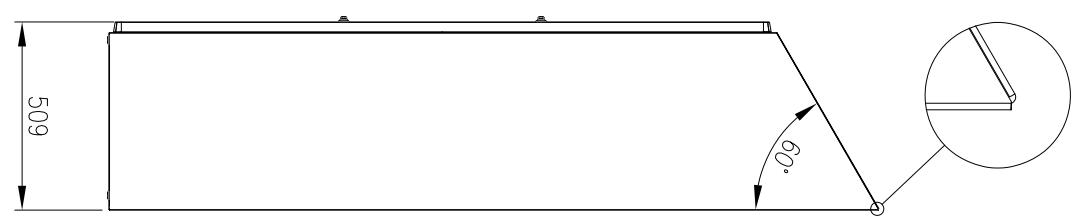
TOP VIEW



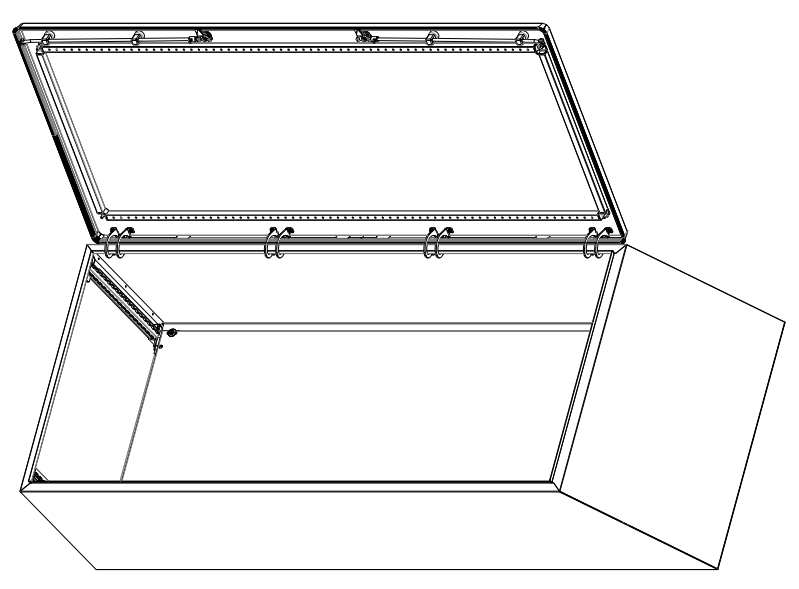
SIDE VIEW



FRONT VIEW



SIDE VIEW



**MATERIAL**  
 BODY: 304 STAINLESS STEEL  
 DOOR: 304 STAINLESS STEEL  
 DEVICE PLATE: GALVANISED STEEL SHEET  
 SEAL: BLUE SILICONE. FDA COMPLIANT

**PROTECTION:** IP66, IP69K  
**STANDARD:** DGVV EN1672-2, EN62208, EN/AS60529

Item#	Quantity	TradeName, designation, material, dimension etc.	Article No./Reference	Scale
IP	1	1800x802x510 IP69K HYGIENIC ENCLOSURE		1:20



© IP ENCLOSURES 2016.  
 THIS DRAWING SHALL NOT BE COPIED OR REPRODUCED  
 WITHOUT AUTHORISATION FROM IP ENCLOSURES.  
 www.ipenclosures.com.au

