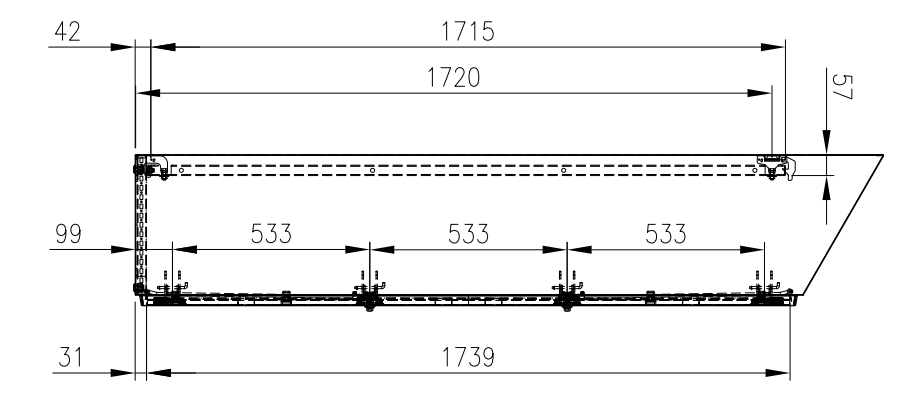
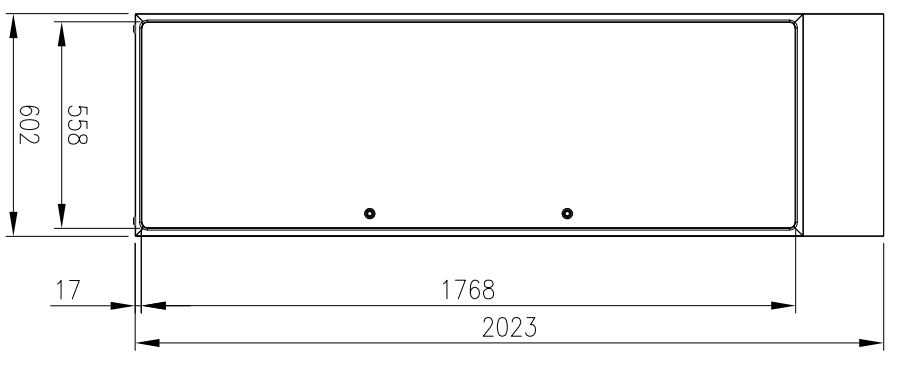


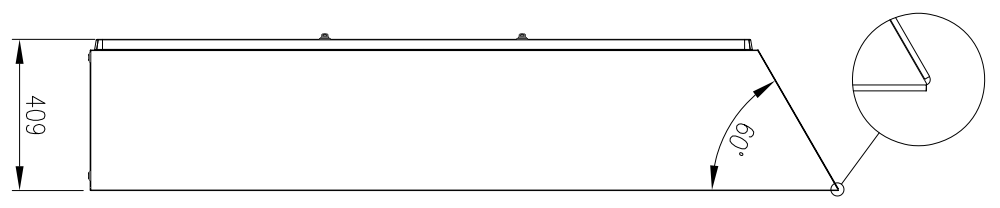
TOP VIEW



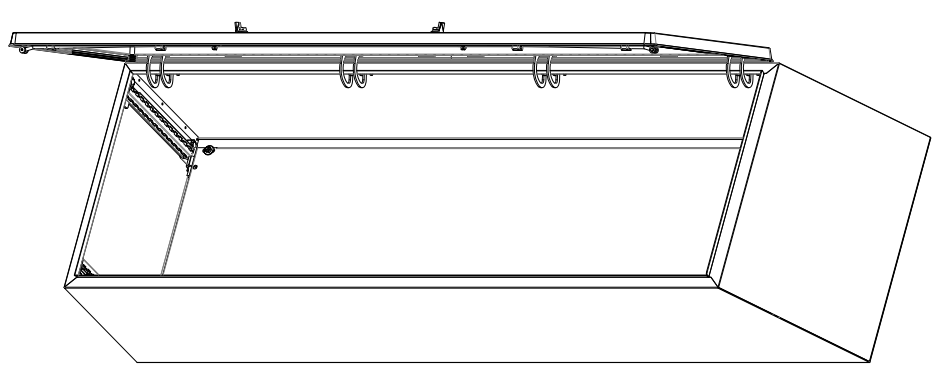
SIDE VIEW



FRONT VIEW



SIDE VIEW



MATERIAL
 BODY: 304 STAINLESS STEEL
 DOOR: 304 STAINLESS STEEL
 DEVICE PLATE: GALVANISED STEEL SHEET
 SEAL: BLUE SILICONE. FDA COMPLIANT

PROTECTION: IP66, IP69K
STANDARD: DGVV EN1672-2, EN62208, EN/AS60529

Item	Quantity	Material, designation, material, dimension etc.	Article No./Reference	Scale
IP Enclosures				1:20
1200x1200x300 STEEL ENCLOSURE				
IP-12012030-01	2			1/1

© IP ENCLOSURES 2016.
 THIS DRAWING SHALL NOT BE COPIED OR REPRODUCED
 WITHOUT AUTHORISATION FROM IP ENCLOSURES.
 www.ipenclosures.com.au

