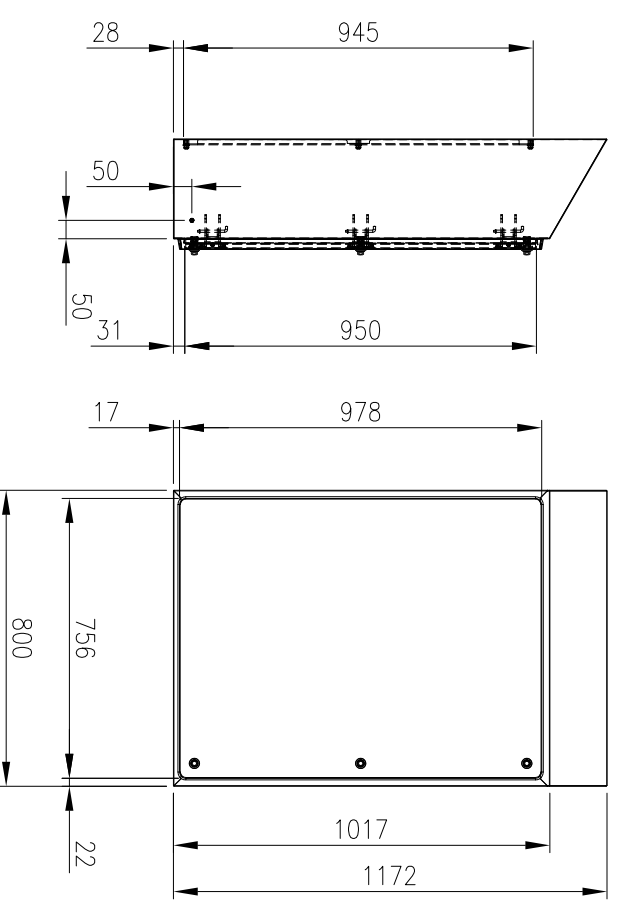
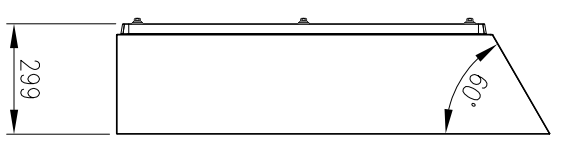


TOP VIEW

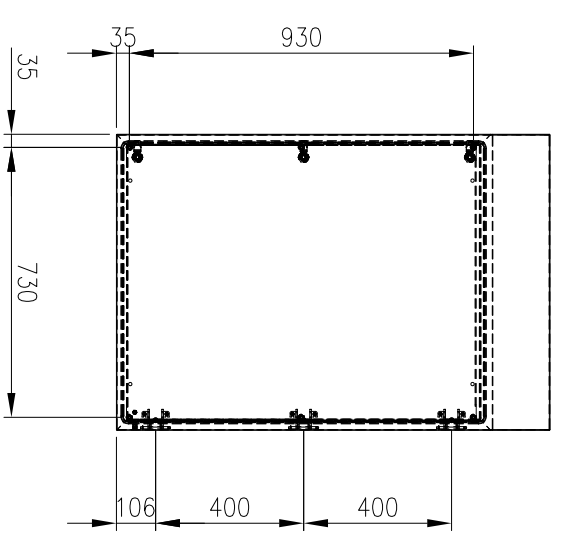


SIDE VIEW

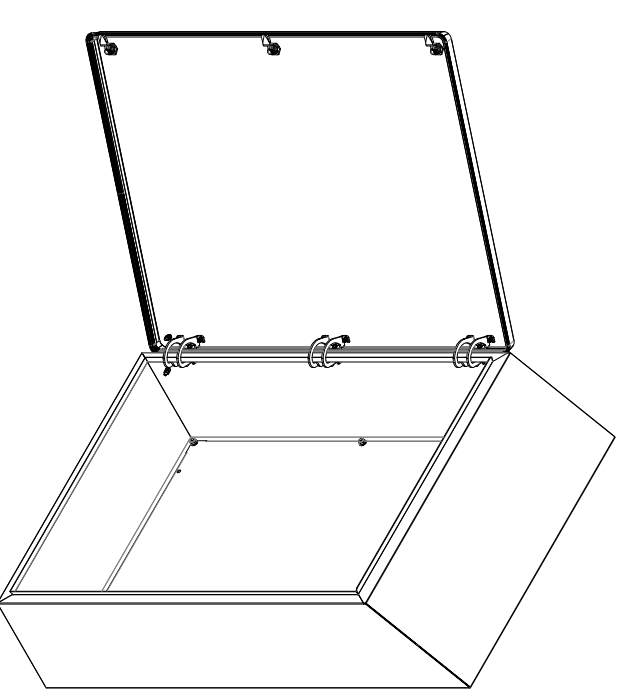
FRONT VIEW



SIDE VIEW



REAR VIEW



MATERIAL
 BODY: 304 STAINLESS STEEL
 DOOR: 304 STAINLESS STEEL
 DEVICE PLATE: GALVANISED STEEL SHEET
 SEAL: BLUE SILICONE. FDA COMPLIANT

PROTECTION: IP66, IP69K
STANDARD: DGVV EN1672-2, EN62208, EN/AS60529

© IP ENCLOSURES 2016.
 THIS DRAWING SHALL NOT BE COPIED OR REPRODUCED
 WITHOUT AUTHORISATION FROM IP ENCLOSURES.
 www.ipenclosures.com.au

Item	Quantity	TradeName, designation, material, dimension etc.	Article No./Reference
IP Enclosures	1	IP-H1008030	IP-H1008030
IP Enclosures	1	IP-H1008030	IP-H1008030

Designed by: IP
 Checked by: IP
 Approved by: -date: 20/05/21
 Filename: IP-H1008030
 Date: 20/05/21
 Article No./Reference: 1000X800X300 IP69K HYGIENIC ENCLOSURE
 Edition: 0
 Sheet: 1/1

