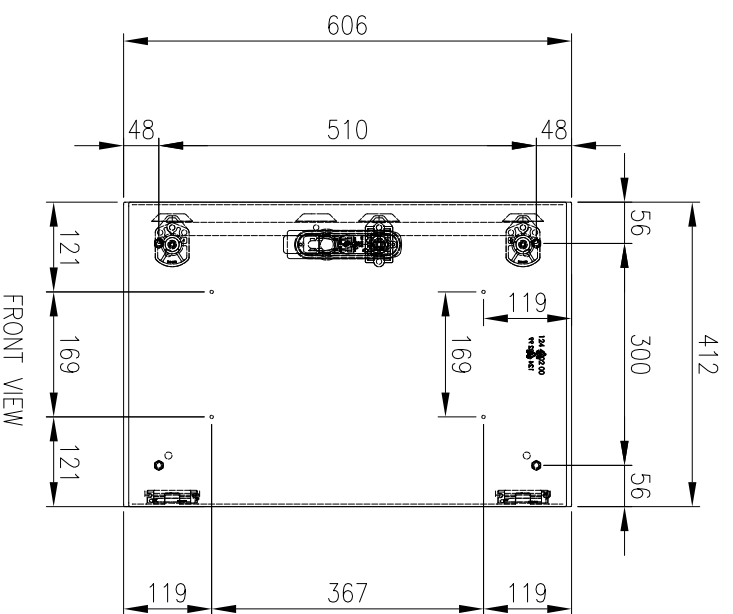
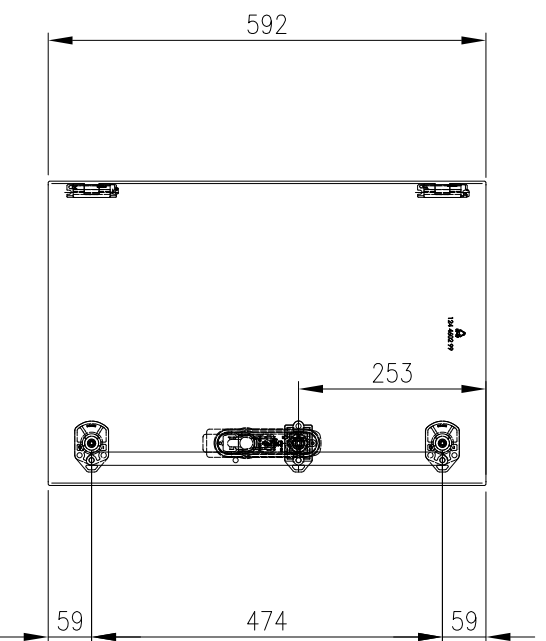
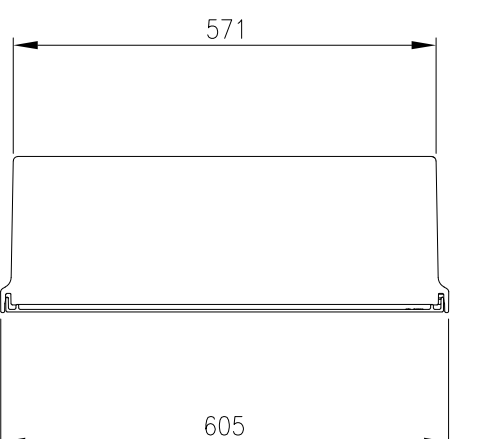


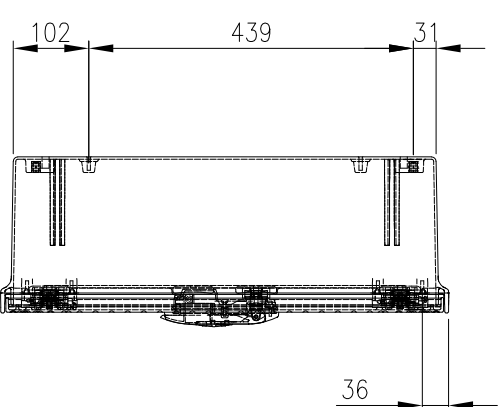
TOP VIEW



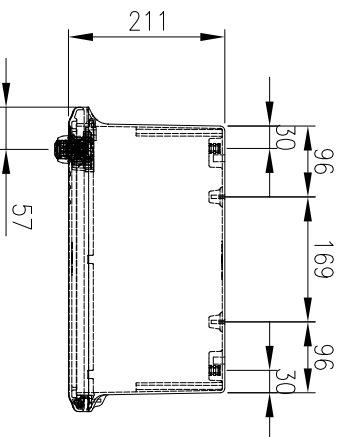
FRONT VIEW



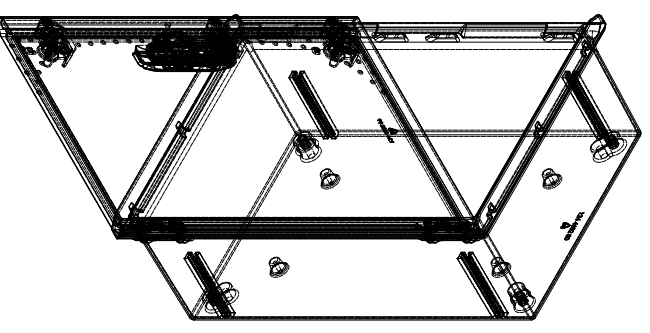
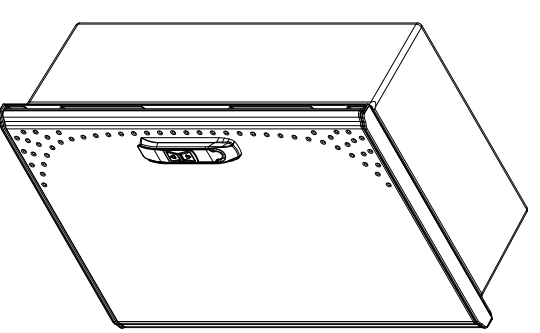
SIDE VIEW



SECTION AV-AV



SECTION AV-AV



MATERIAL:
 BODY: GLASS-FIBRE REINFORCED POLYESTER (GRP)
 DOOR: GLASS-FIBRE REINFORCED POLYESTER (GRP)
 DEVICE PLATE: POLYESTER
 SEAL: POLYURETHANE

PROTECTION: 1P66
STANDARD: IEC62208, IEC/EN/AS60629

© IP ENCLOSURES 2016.
 THIS DRAWING SHALL NOT BE COPIED OR REPRODUCED
 WITHOUT AUTHORISATION FROM IP ENCLOSURES.
 www.ipenclosures.com.au

Item#	Quantity	TradeName, designation, material, dimension etc.	Article No./Reference	Scale
IP	1	605H x 411W x 211D GRP ENCLOSURE	IP-GRP604020-H	1:10
IP	1	605H x 411W x 211D GRP ENCLOSURE	IP-GRP604020-H	1/1

