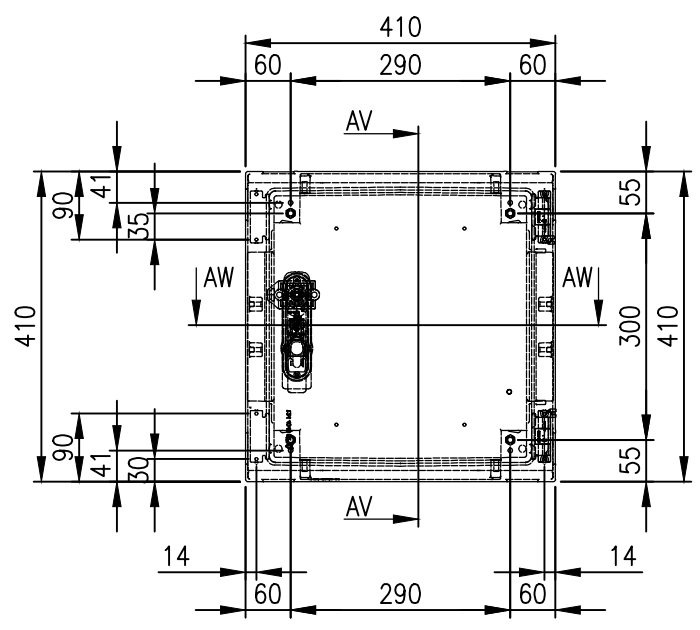
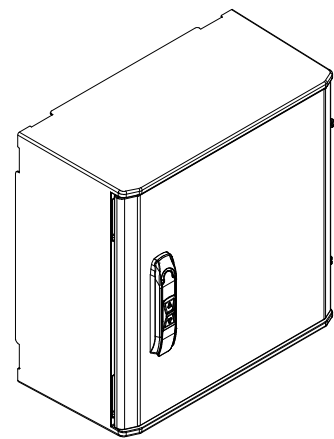
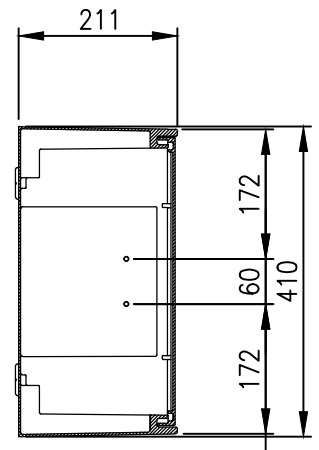


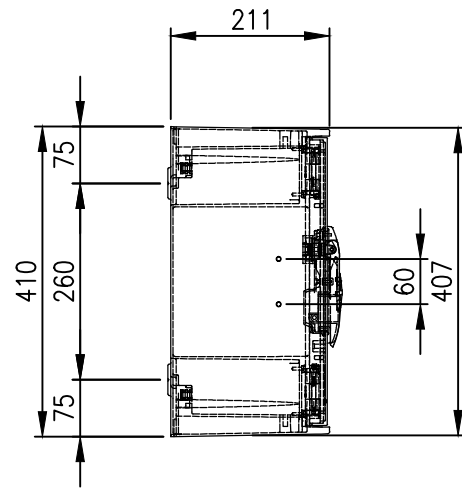
TOP VIEW



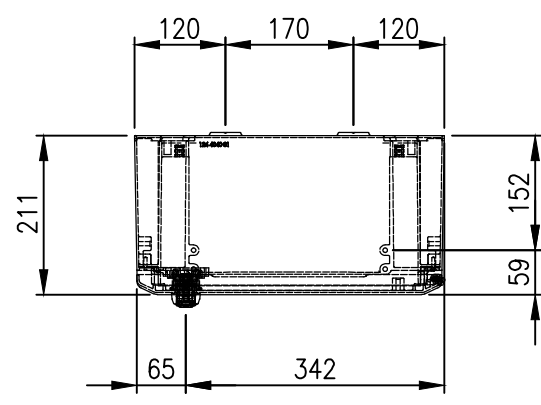
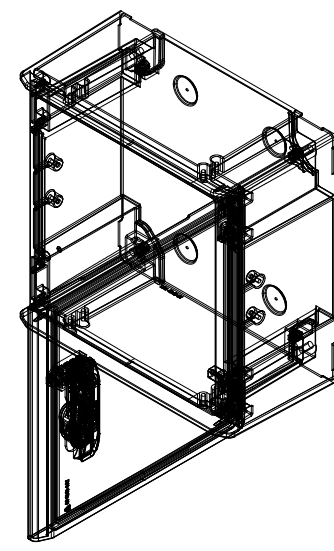
FRONT VIEW



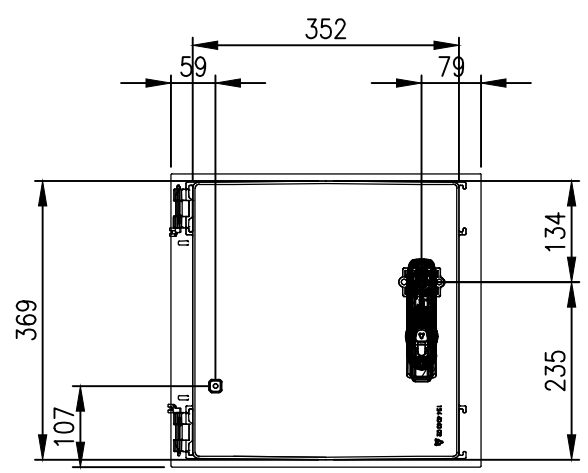
SIDE VIEW



SECTION AV-AV



SECTION AW-AW



INSIDE DOOR VIEW

MATERIAL:
 BODY: GLASS-FIBRE REINFORCED POLYESTER (GRP)
 DOOR: GLASS-FIBRE REINFORCED POLYESTER (GRP)
 DEVICE PLATE: POLYESTER
 SEAL: POLYURETHANE

PROTECTION: IP66
 STANDARD: IEC62208, IEC/EN/AS60529

© IP ENCLOSURES 2022.
 THIS DRAWING SHALL NOT BE COPIED OR REPRODUCED
 WITHOUT AUTHORISATION FROM IP ENCLOSURES.
 www.ipenclosures.com.au

Itemref	Quantity	Title/Name, designation, material, dimension etc	Article No./Reference
Designed by IP	Checked by IP	Approved by - date 28/06/22	Filename IP-GRP404020-H
		Date 28/06/22	Scale 1:10
			410H x 410W x 211D GRP ENCLOSURE
IP-GRP404020-H			Edition 0
			Sheet 1/1