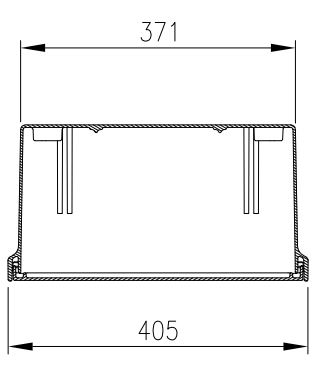
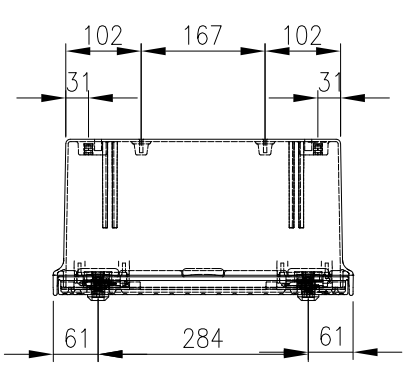


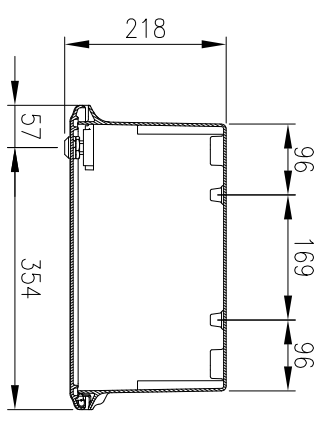
FRONT VIEW



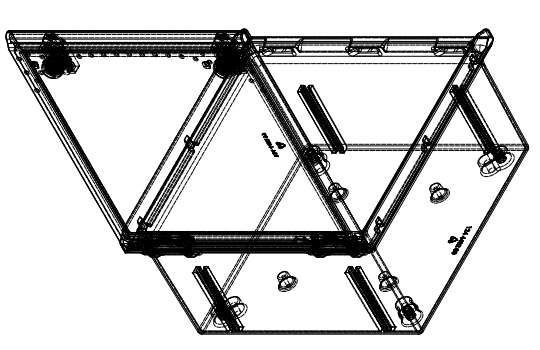
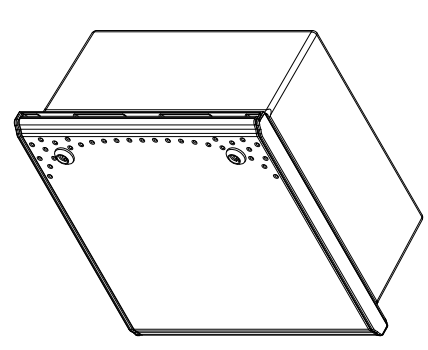
SIDE VIEW



SECTION AV-AV



SECTION AW-AW



MATERIAL:
 BODY: GLASS-FIBRE REINFORCED POLYESTER (GRP)
 DOOR: GLASS-FIBRE REINFORCED POLYESTER (GRP)
 DEVICE PLATE: POLYESTER
 SEAL: POLYURETHANE

PROTECTION: IP65
STANDARD: IEC62208, IEC/EN/AS60529

© IP ENCLOSURES 2016.
 THIS DRAWING SHALL NOT BE COPIED OR REPRODUCED
 WITHOUT AUTHORISATION FROM IP ENCLOSURES.
 www.ipenclosures.com.au

Item	Quantity	TradeName, designation, material, dimension etc.	Article No./Reference	Scale
Designed by	Checked by	Approved by - date	Filename	Date
IP	IP	13/04/21	IP-GRP40420	13/04/21
405H x 411W x 211D GRP ENCLOSURE				Scale 1:10
IP-GRP404020				Edition 0
				Sheet 1/1