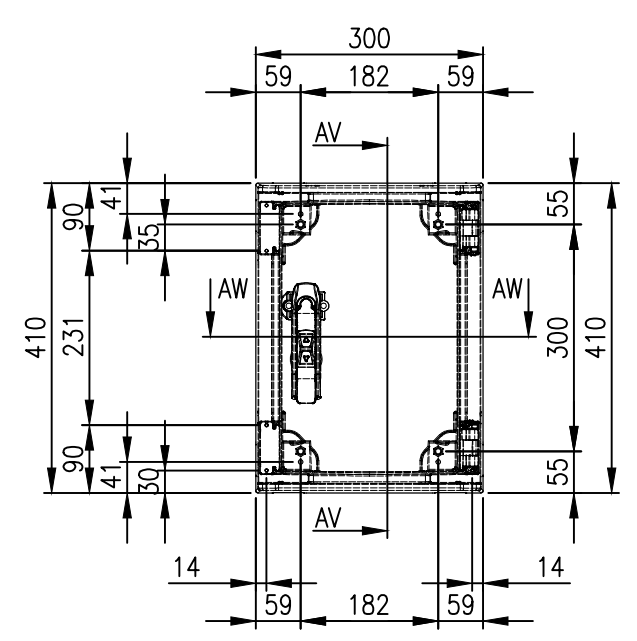
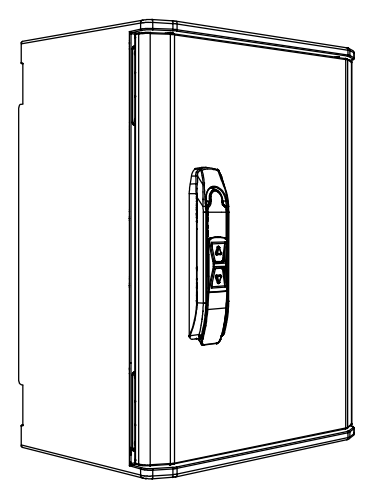
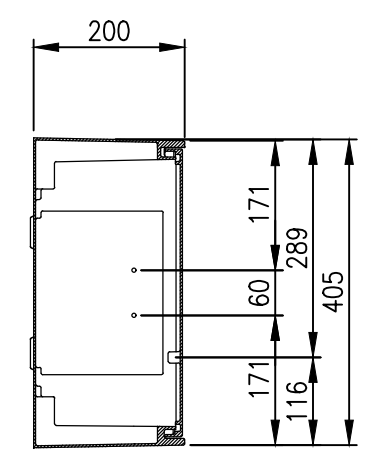


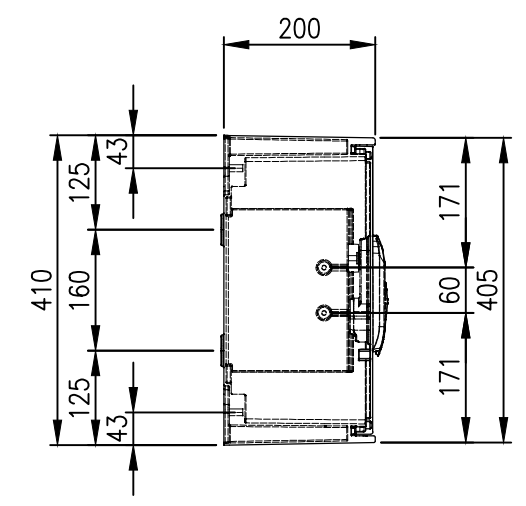
TOP VIEW



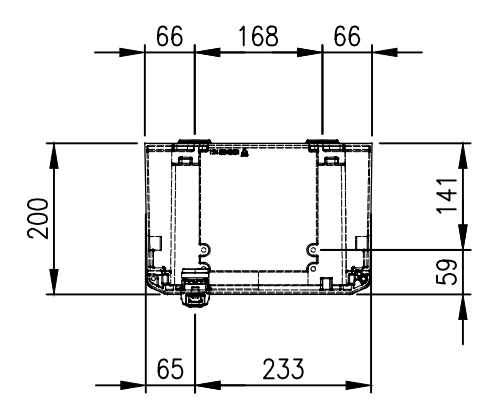
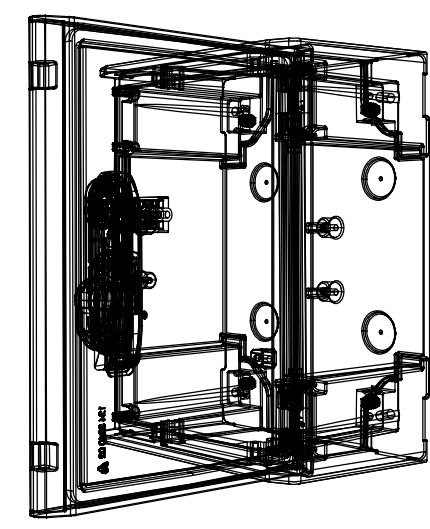
FRONT VIEW



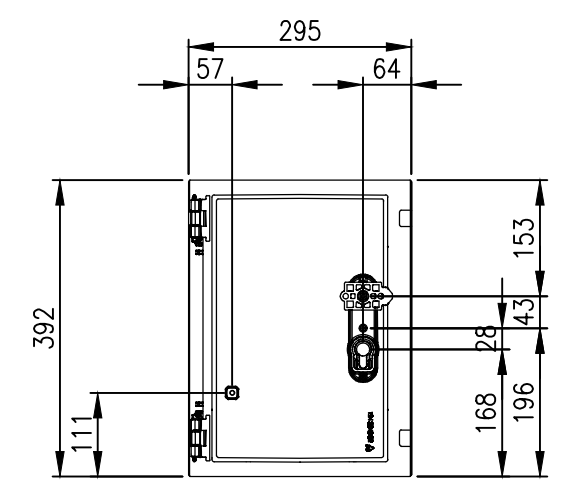
SIDE VIEW



SECTION AV-AV



SECTION AW-AW



INSIDE DOOR VIEW

MATERIAL:
 BODY: GLASS-FIBRE REINFORCED POLYESTER (GRP)
 DOOR: GLASS-FIBRE REINFORCED POLYESTER (GRP)
 DEVICE PLATE: POLYESTER
 SEAL: POLYURETHANE

PROTECTION: IP66
 STANDARD: IEC62208, IEC/EN/AS60529

© IP ENCLOSURES 2022.
 THIS DRAWING SHALL NOT BE COPIED OR REPRODUCED
 WITHOUT AUTHORISATION FROM IP ENCLOSURES.
 www.ipenclosures.com.au

Itemref	Quantity	Title/Name, designation, material, dimension etc	Article No./Reference
Designed by	Checked by	Approved by - date	Filename
IP	IP		IP-GRP403020-H
			Date
			07/06/22
			Scale
			1:10
			410H x 300W x 200D GRP ENCLOSURE
			IP-GRP403020-H
			Edition
			0
			Sheet
			1/1