

GRP | SINGLE DOOR | IP65

410H x 300 x 200D

The P1 range of GRP electrical enclosures are designed to house electrical switch and control equipment in harsh environments that require high levels of corrosion resistance.

Protection: IP65

Standard: IEC62208, IEC/EN/AS60529 

Basic Parameters:

- Temperature Operating Conditions: -50°C to 85°C
- Flammability Category: V0
- Protection Class: II
- Impact Resistance: IK10
- Halogen-Free Materials

Material:

- Body: Glass-Fibre Reinforced Polyester (GRP)
- Door: Glass-Fibre Reinforced Polyester (GRP)
- Device Mounting Plate: Polyester (Optional: Steel)
- Seal: Polyurethane

Body: The robust body is manufactured from Glass-Fibre Reinforced Polyester (GRP). Pre-fitted encapsulated nuts are incorporated to accommodate mounting to eliminate drilling and retain IP rating. Integral device plate mounts are also provided.

Door: The door is manufactured from Glass-Fibre Reinforced Polyester (GRP). The door incorporates concealed removable hinges and the door is designed to be reversible (left or right hand opening). A transparent door with window is also available.

Seal: Polyurethane.

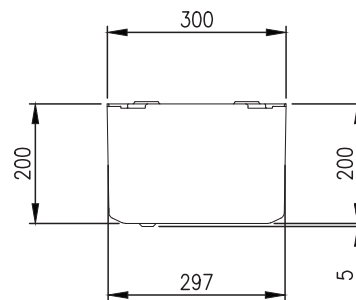
Lock: 1 x Quarter Turn Locks

Device Mounting Plate: A polyester device mounting plate is provided pre-fitted. (Optional steel device mounting plates are available).

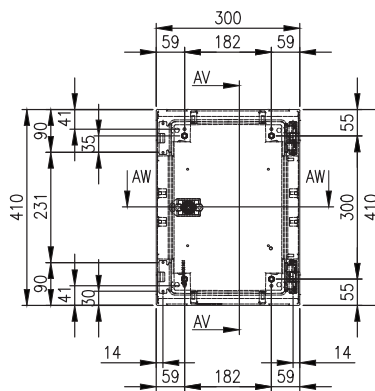
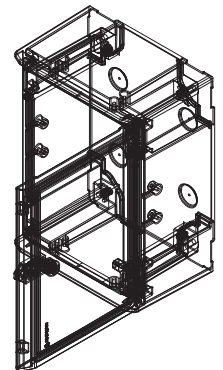
Colour: RAL7035

Accessories:

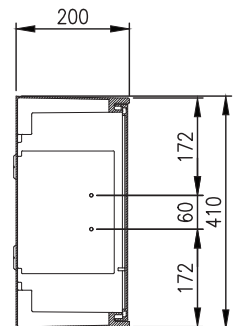
- Steel Mounting Plate: IP-GRPSMP4030
- DB KIT: IP-GRPDB4030



TOP VIEW



FRONT VIEW



SIDE VIEW