

GRP Electrical Enclosures IP-GRP303010-B

GRP | SINGLE DOOR | IP66

306H x 284W x 115D

The P1 range of GRP electrical enclosures are designed to house electrical switch and control equipment in harsh environments that require high levels of corrosion resistance.

Protection: IP66

Standard: IEC62208, IEC/EN/AS60529  

Basic Parameters:

- Temperature Operating Conditions: -50°C to 85°C
- Flammability Category: V0
- Protection Class: II
- Impact Resistance: IK10
- Halogen-Free Materials

Material:

- Body: Glass-Fibre Reinforced Polyester (GRP)
- Door: Glass-Fibre Reinforced Polyester (GRP)
- Device Mounting Plate: Polyester (Optional: Steel)
- Seal: Polyurethane

Body: The robust body is manufactured from Glass-Fibre Reinforced Polyester (GRP).

Door: The door is manufactured from Glass-Fibre Reinforced Polyester (GRP).

Seal: Polyurethane.

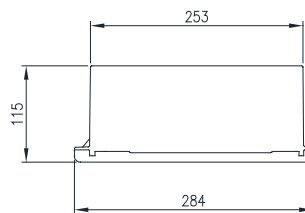
Lock: Keyed

Mounting Type: Pole Mount

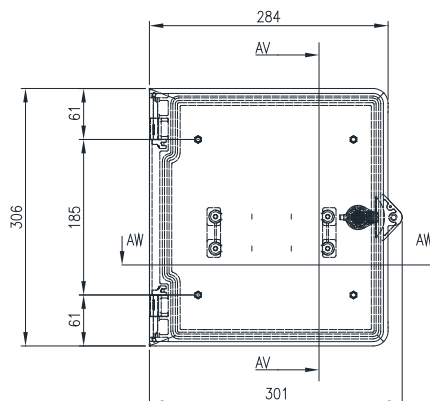
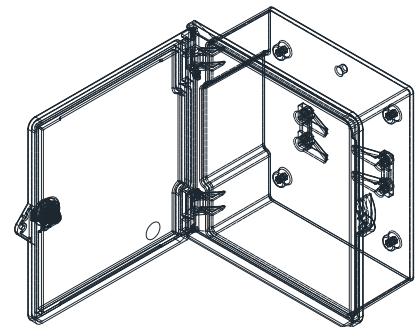
Colour: RAL7035

Accessories:

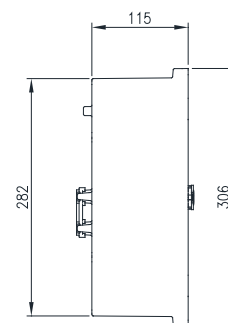
- Steel Mounting Plate: IP-GRPSMP3030



TOP VIEW



FRONT VIEW



SIDE VIEW