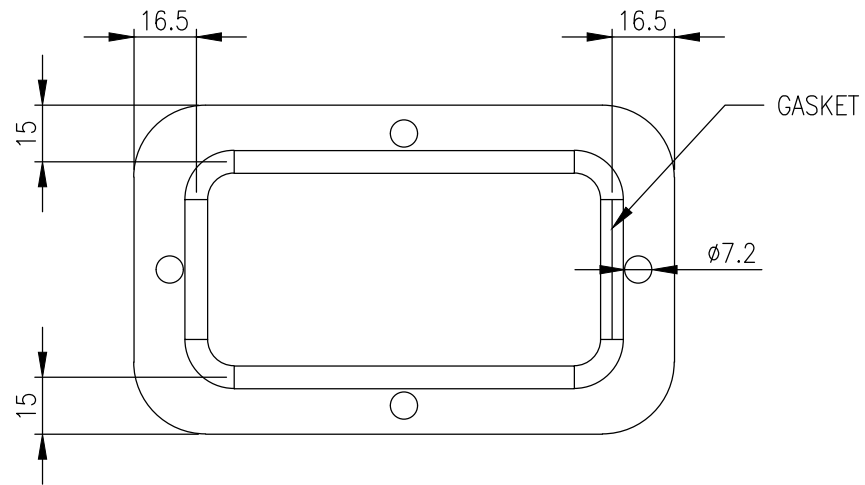
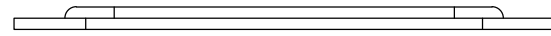


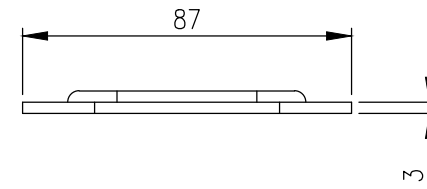
RevNo	Revision note	Date	Signature	Checked
0	GENERAL REVISION		IP	IP



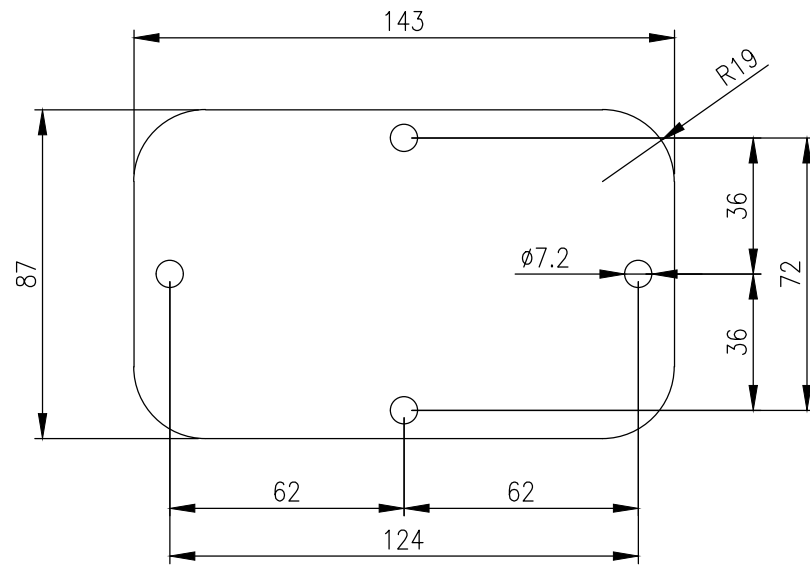
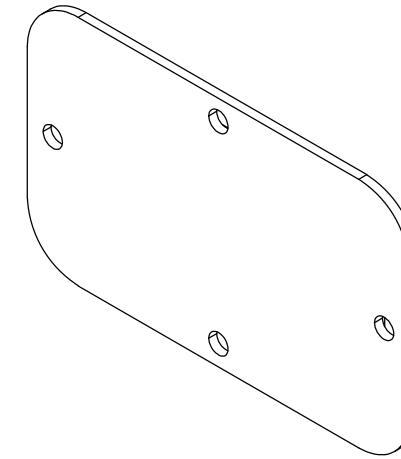
TOP VIEW



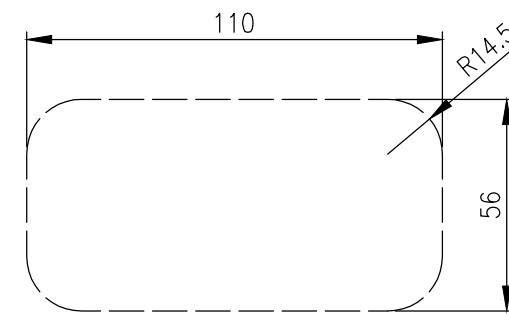
FRONT VIEW



SIDE VIEW



BOTTOM VIEW



OPENING SIZE

MATERIAL  
 BODY: 3.0mm BRASS  
 MASS: 0.4Kg.

© IP ENCLOSURES 2026.  
 THIS DRAWING SHALL NOT BE COPIED OR REPRODUCED  
 WITHOUT AUTHORISATION FROM IP ENCLOSURES.  
 www.ipenclosures.com.au

Itemref	Quantity	Title/Name, designation, material, dimension etc			Article No./Reference	
IP	1	143Wx87D BRASS GLAND PLATE	IP-GPB3-1	05/05/26	05/05/26	1:2
Designed by		Checked by	Approved by - date	Filename	Date	Scale
IP		IP	05/05/26	IP-GPB3-1	05/05/26	1:2
IP Enclosures				143Wx87D BRASS GLAND PLATE		
				IP-GPB3-1	Edition 0	Sheet 1/1