

Thermal Controller

IP-FSC1

FAN SPEED CONTROLLER

100-230V | 50/60Hz

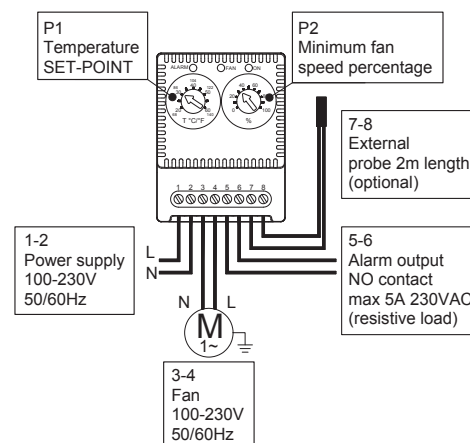
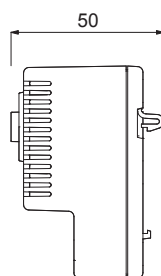
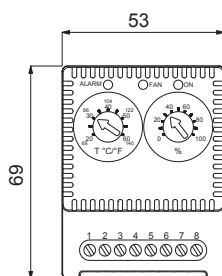
Electronic temperature-regulated fan speed controller for DIN 35mm rail mounting. Speed controller helps to reduce fan noise, air flow rate is reduced to the optimum speed required.

IP Enclosures provide a range of thermal control products for electrical enclosures. The range of controllers are suitable for use with IP Enclosures range of heating and cooling products. The range includes thermostats, hygrostats, electronic thermostat temperature controllers and fan speed controllers. IP Enclosures thermal control products are manufactured to the highest quality in Italy.

Standards (& Conformities): 2014/35/EU: IEC 60598-1, IEC 60730-1, IEC 60730-2-9
2014/30/EU: IEC 55014, IEC 61000-3-3, IEC 61000-3-2, RoHS



Features	Unit	IP-FSC1
Power Supply	V Hz	100-230V 50/60Hz
Temperature Setting Range	°C (°F)	+20 / +60 (+68 / +140)
Fan Speed Setting Range	%	0-100
Fan Voltage Rating	V Hz	100-230V 50/60Hz
Input	-	NTC sensor
Max. Output Fan	-	550W
Electrical Connection	-	Terminal for 2.5mm ² wire
Optical Signal	-	LED
Casing	-	PA6, UL94V-0 Self-extinguishing; RAL7035
Protection Degree EN60529	-	IP20
Operating / Storage Temperature	°C (°F)	-10 / +60 (+14 / +140)
Mounting	-	Clip for mounting on DIN rail 35 mm EN50022
Installation Position	-	Vertical position
Dimensions HxWxD	mm	69H x 53W x 50D
Weight (With Packaging)	Kg	0.11 (0.12)
Conformity / Certification	-	CE



Thermal Controller

IP-FSC1

FAN SPEED CONTROLLER

100-230V | 50/60Hz

STANDARDS, CONFORMITIES & CERTIFICATES:

Low Voltage Directive 2014/35/EU Compliance: IEC 60598-1, IEC 60730-1, IEC 60730-2-9

Electromagnetic Compatibility Directive 2014/30/EU Compliance: IEC 55014, IEC 61000-3-3, IEC 61000-3-2

CE Certificate of Compliance: Certificate SZT-24 MA 33485-1

Products are manufactured to Quality, Safety and Environmental Standards.