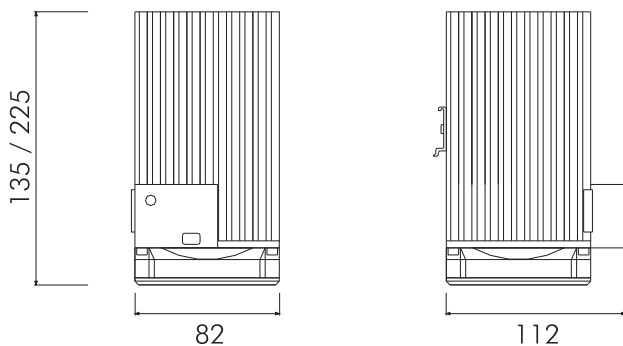



Fan Assisted | 250W to 750W

IP Enclosures provide a wide range of heating products for electrical enclosures. Anti-condensation heaters are required to prevent failures or corrosion caused by low temperatures or high humidity inside the enclosure. This occurs when ambient temperature is low and the equipment does not generate enough heat to maintain the minimum internal temperature. IP Enclosures heating products are manufactured to the highest quality in Italy.



| FEATURES | UNIT | IP-FH250 | IP-FH251 | IP-FH400 | IP-FH401 | IP-FH500 | IP-FH501 | IP-FH750 | IP-FH751 |
|---------------------------|-------------------|---|------------|------------|------------|------------|------------|------------|----------------|
| Heating Capacity | W | 250 | 250 | 400 | 400 | 500 | 500 | 750 | 750 |
| Power Supply | V/Hz | 230/50-60 | 115/50-60 | 230/50-60 | 115/50-60 | 230/50-60 | 115/50-60 | 230/50-60 | 115/50-60 |
| Max. current | A | 1.2 | 2.4 | 1.9 | 3.8 | 2.4 | 4.8 | 3.6 | 7.2 |
| Electrical connections | - | 3 screw terminals for stranded or rigid wire 2.5 mm ² | | | | | | | |
| Protection class | - | Class I, earthed | | | | | | | |
| Protection degree EN60529 | - | IP20 | | | | | | | |
| Operating temperature | °C (°F) | -25/+70 (-13/+158) | | | | | | | |
| Storage temperature | °C (°F) | -45/+80 (-49/+176) | | | | | | | |
| Air flow rate | m ³ /h | 35 (free flow) | | | | | | | 44 (free flow) |
| Signalling | - | Green LED power ON | | | | | | | |
| Dimensions HxWxD | mm | 135x112x82 | 135x112x82 | 165x112x82 | 165x112x82 | 165x112x82 | 165x112x82 | 225x112x82 | 225x112x82 |
| Weight (with packaging) | kg | 0.88(0.94) | 0.88(0.94) | 0.97(1.04) | 0.97(1.04) | 0.97(1.04) | 0.97(1.04) | 1.35(1.42) | 1.35(1.42) |
| Conformity/Certifications | - | UKCA, CE-UL  | | | | | | | |