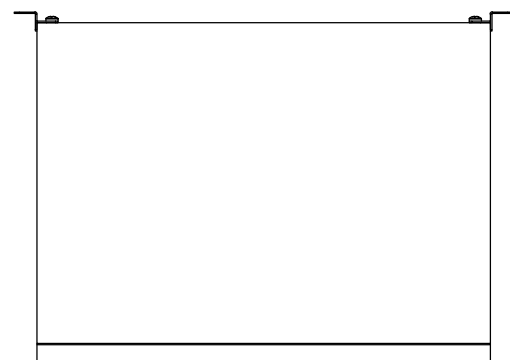
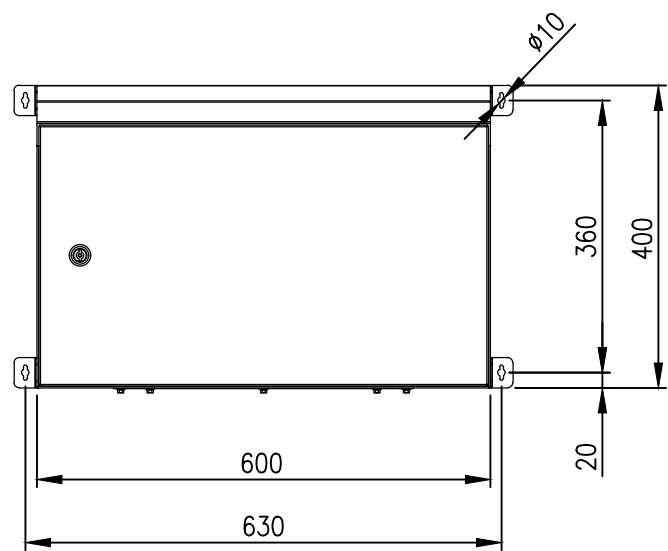
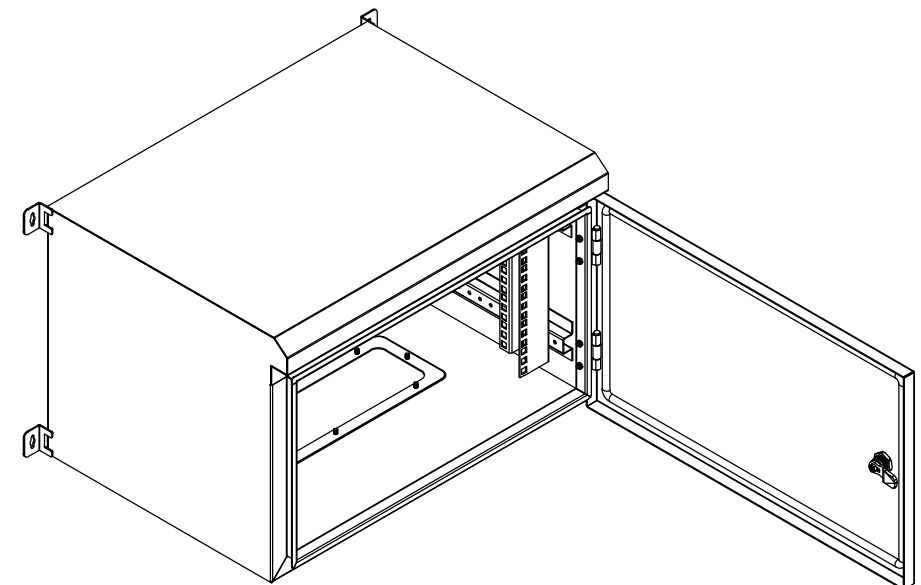


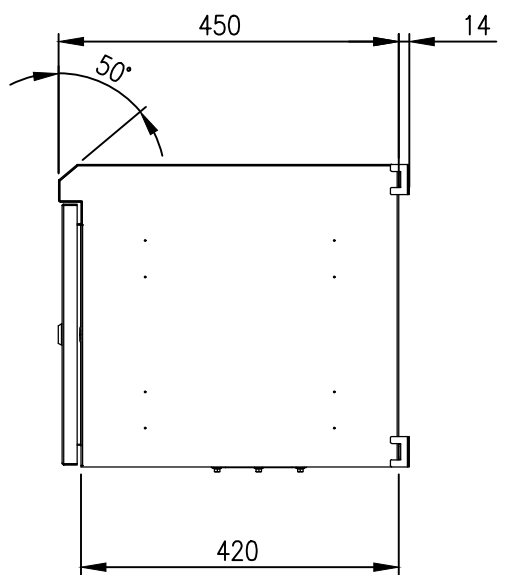
RevNo	Revision note	Date	Signature	Checked
1	GENERAL REVISION	01/03/23	IP	IP



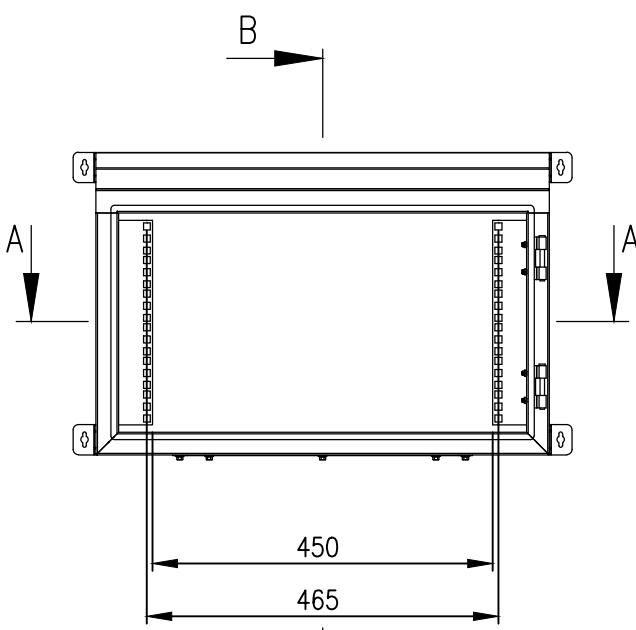
PLAN



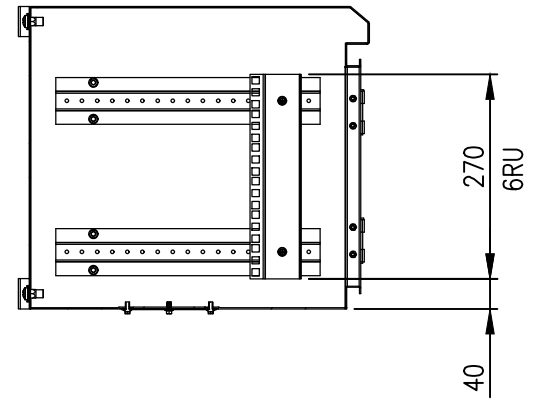
FRONT VIEW



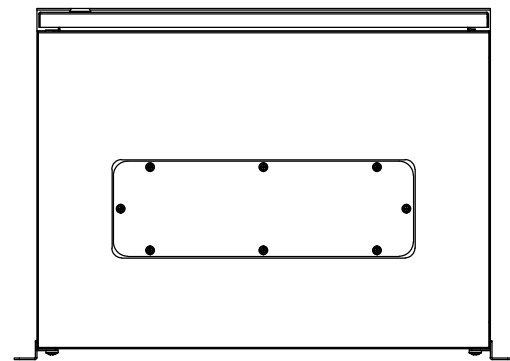
SIDE VIEW



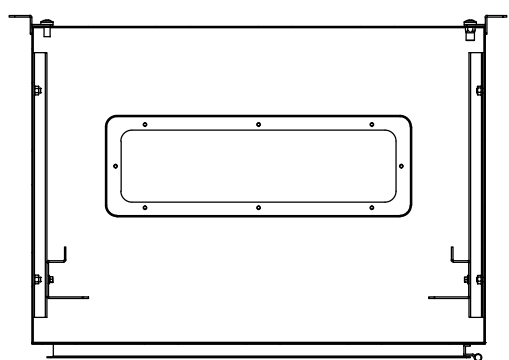
FRONT VIEW - DOOR REMOVED



SECTION BB



BOTTOM VIEW



SECTION AA

MATERIAL
 BODY: MARINE GRADE ALUMINIUM
 DOOR: MARINE GRADE ALUMINIUM
 19" RAILS: 1.5mm GALVANISED STEEL SHEET
 SEAL: POLYURETHANE

PROTECTION: IP66 IK10
STANDARD: EIA-310-D, IEC/EN/AS60529

© IP ENCLOSURES 2016.
 THIS DRAWING SHALL NOT BE COPIED OR REPRODUCED
 WITHOUT AUTHORISATION FROM IP ENCLOSURES.
 www.ipenclosures.com.au

Itemref	Quantity	Title/Name, designation, material, dimension etc	Article No./Reference
Designed by IP	Checked by IP	Approved by - date 03/08/21	Filename IP-ADW6U45
Date 03/08/21		Scale 1:10	Article No./Reference ALUMINIUM 6U 19" DATA RACK 450 DEEP
Edition 1		Sheet 1/1	IP-ADW6U45