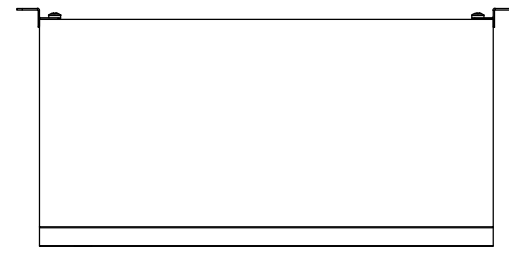
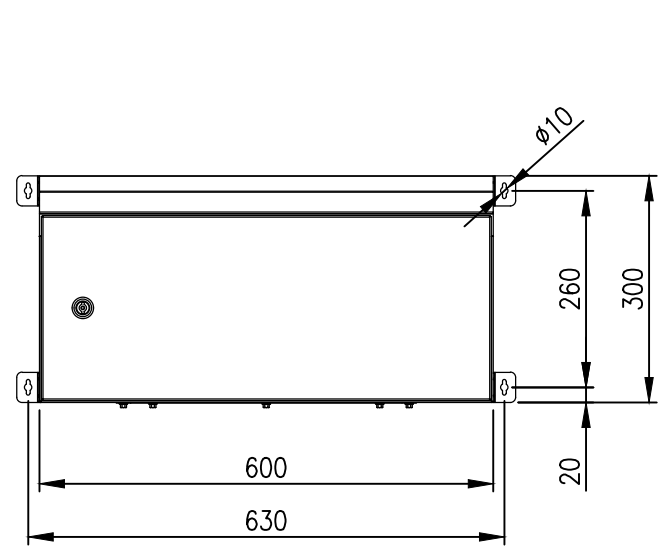
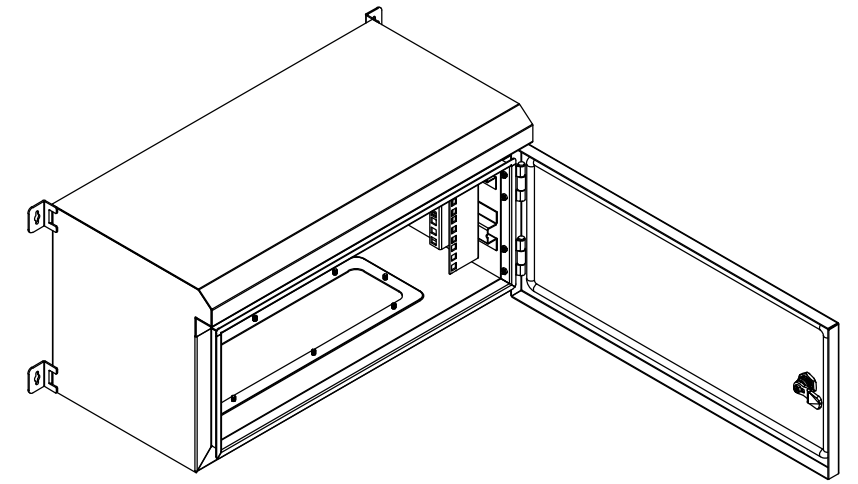


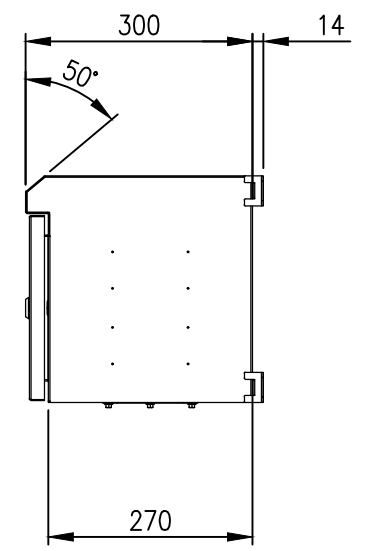
RevNo	Revision note	Date	Signature	Checked
1	GENERAL REVISION	01/03/23	IP	IP



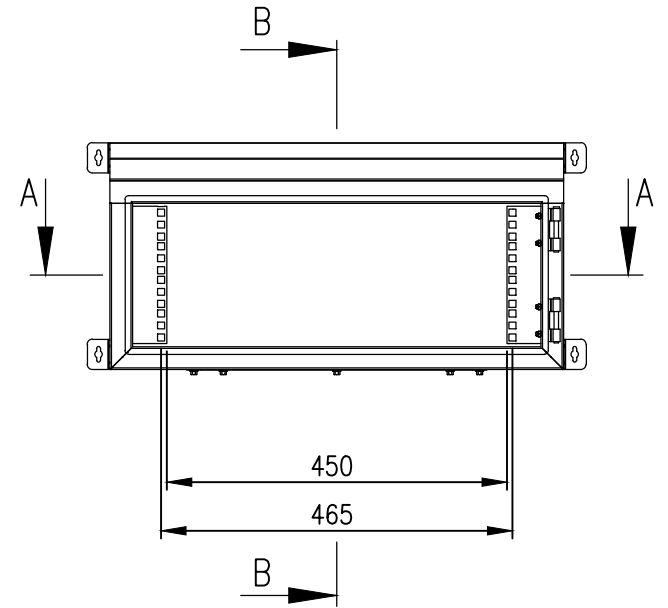
PLAN



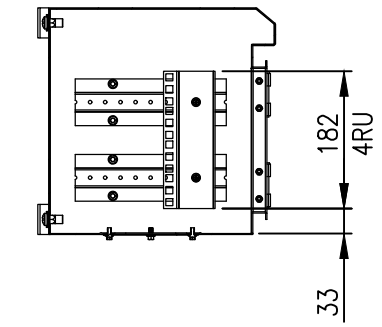
FRONT VIEW



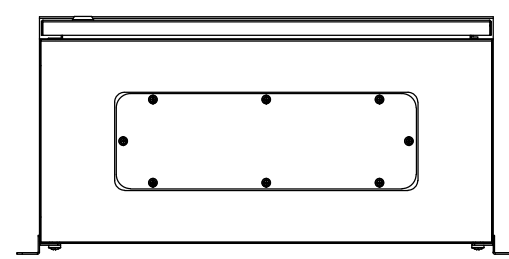
SIDE VIEW



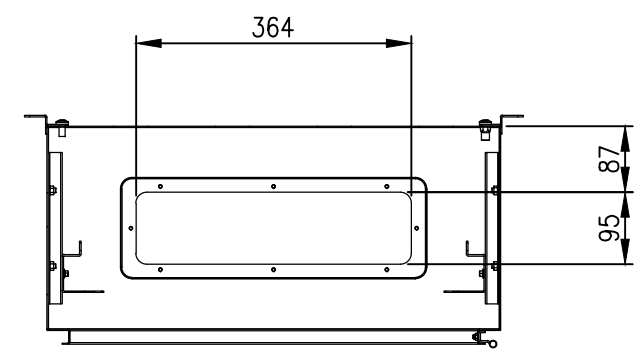
FRONT VIEW - DOOR REMOVED



SECTION BB



BOTTOM VIEW



SECTION AA

**MATERIAL**  
 BODY: MARINE GRADE ALUMINIUM  
 DOOR: MARINE GRADE ALUMINIUM  
 19" RAILS: 1.5mm GALVANISED STEEL SHEET  
 SEAL: POLYURETHANE

**PROTECTION:** IP66 IK10  
**STANDARD:** EIA-310-D, IEC/EN/AS60529

© IP ENCLOSURES 2016.  
 THIS DRAWING SHALL NOT BE COPIED OR REPRODUCED  
 WITHOUT AUTHORISATION FROM IP ENCLOSURES.  
 www.ipenclosures.com.au

Itemref	Quantity	Title/Name, designation, material, dimension etc	Article No./Reference
Designed by IP	Checked by IP	Approved by - date 03/08/21	Filename IP-ADW4U30
Date 03/08/21			Scale 1:10
Edition 1			Sheet 1/1

ALUMINIUM 4U 19" DATA RACK 300 DEEP  
 IP-ADW4U30

