

# ADW 19" Data Rack

# IP-ADW4RU30

ALUMINIUM | WALL MOUNT | SINGLE DOOR | IP66

19" 4U x 300D

IP Enclosures ADW range of IP66 19" data racks are designed for outdoor applications to house sensitive data network equipment in harsh environments. They are suitable for internal and external installations. All IP Enclosures are built to precision to ensure consistent high quality standards.

**Protection:** IP66 IK10

**Standards (& Conformities):** IEC/EN 60529, IEC/EN 62208, EIA-310-D, RoHS



**Rack Unit Size:** 4U

**Material:**

- Enclosure Body: 2.0mm marine grade aluminium 5754-H111
- Enclosure Door: 2.0mm marine grade aluminium 5754-H111
- 19" Data Rack Rails: 2.0mm galvanised steel sheet
- Gland Plate: 2.0mm marine grade aluminium 5754-H111
- Enclosure Seal: Polyurethane

**Body & 19" Rails:** The robust monoblock body is 2.0mm marine grade aluminium 5754-H111. Precision automated manufacturing equipment ensures accuracy and consistent high quality. Flat face sealing surfaces increase seal life. A galvanised steel gland plate is also incorporated into the bottom face. 19" data rack rails are fitted. (600mm deep racks include front and rear rails).

**Enclosure Door:** The surface mounted door is 2.0mm marine grade aluminium 5754-H111. It incorporates concealed removable hinges with captive pins. Doors are also designed for a 110° opening. Door with windows are available as an accessory.

**Enclosure Seal:** A high quality machine-applied full perimeter UL listed Polyurethane seal foamed in place (FIP) provides excellent sealing over a long life. Temperature resistance -40°C to 80°C (160°C short term loading).

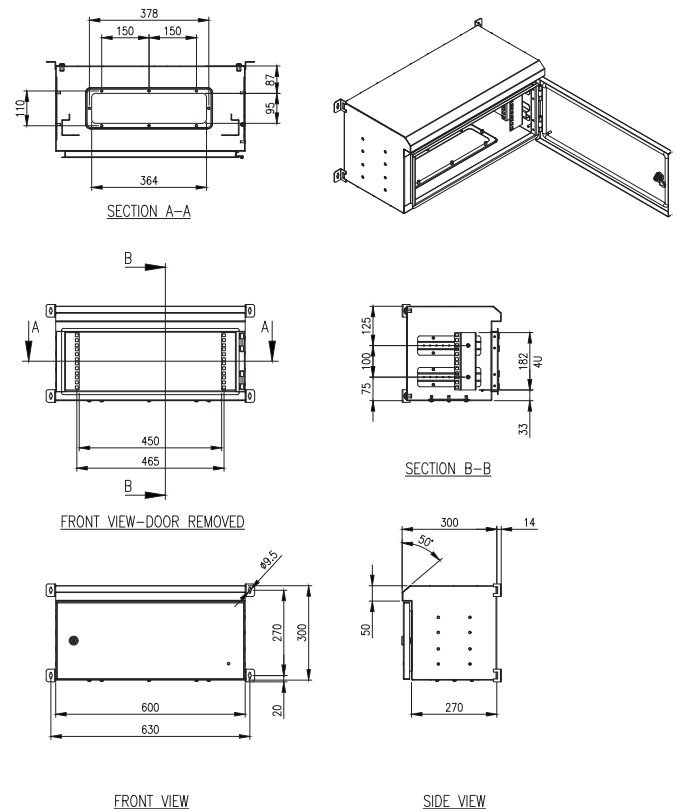
**Enclosure Lock:** 5mm double bit insert quarter turn lock with key.

**Gland Plate:** Gland plate is incorporated into the bottom face of the enclosure for cable management. It is provided with gaskets and fasteners. The size and quantity vary according to enclosure size.

**Surface Treatment:** UL approved AkzoNobel epoxy polyester powder-coated with a textured finish. 80-120 micron average thickness. Colour RAL7035. (Other colours available upon request).

**Mass:** 10.0Kg.

**Maximum Weight of Contents:** 63.6Kg.



# ADW 19" Data Rack

# IP-ADW4RU30

ALUMINIUM | WALL MOUNT | SINGLE DOOR | IP66

19" 4U x 300D

## ACCESSORIES:

Part Number	Description
IP-SDDINPANEL1	1U 19" DIN Terminal Rail
IP-SDCOVER1	1U 19" Cover Panel
IP-EMH1	1U 19" Cover Panel (Ventilated)
IP-SDDINPANEL2	2U 19" DIN Terminal Rail
IP-SDCOVER2	2U 19" Cover Panel
IP-EMH2	2U 19" Cover Panel (Ventilated)
IP-SDDINPANEL3	3U 19" DIN Terminal Rail
IP-SDCOVER3	3U 19" Cover Panel
IP-EMH3	3U 19" Cover Panel (Ventilated)
IP-SDDP3	3U 19" Distribution Board (Supplied with Cover Panel)
IP-SDDINBOX4RU	4U 19" Rack Mounted DIN Rail Housing
IP-SDBOX4RU	4U 19" Rack Mount Housing
IP-RCLF120	1U 19" Fixed Shelf; 200mmD
IP-RNG1U19	1U Cable Organiser for Data Rack
IP-M6SCREW-CAGENUT	M6 Cage Nut and Screw for 19" Data Racks - Pack of 50

## CERTIFICATES:

IEC 60529 Degrees of protection provided by enclosures: Certificate AB-0386-T 2311.14.01/00

IEC/EN 62208 Empty Enclosures for low-voltage switchgear and controlgear assemblies: Certificate 0366932-TSE-01/01

CE Certificate of Compliance: Certificate SZT-24 MA 33485-1

UKCA Certificate of Compliance: Certificate SZT-25 MA 38734-1

Products are manufactured to Quality, Safety and Environmental Standards.

**WARRANTY:** 5 years.