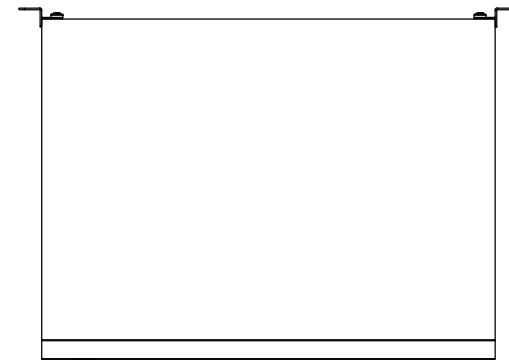
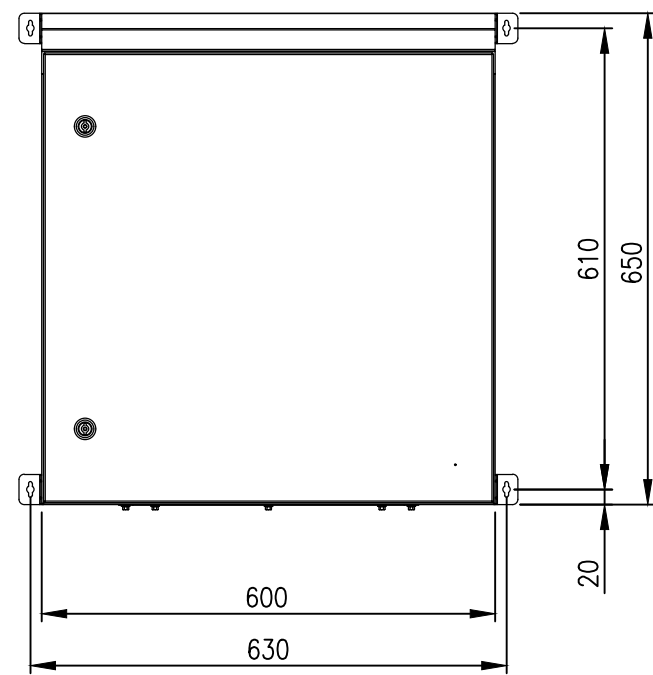
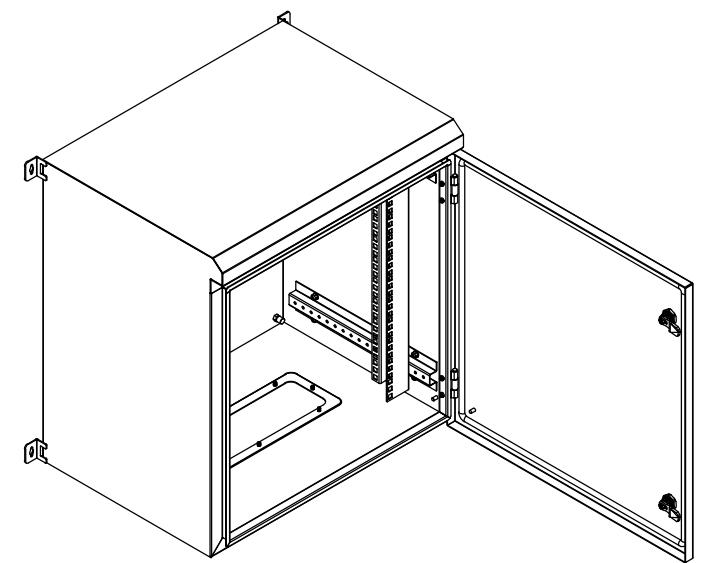


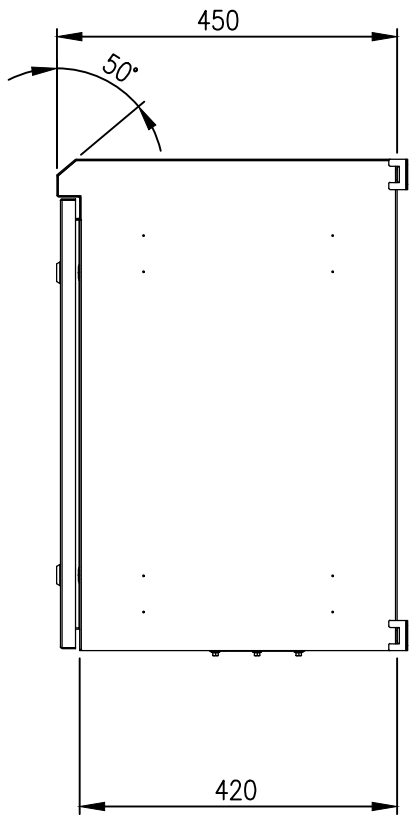
RevNo	Revision note	Date	Signature	Checked
1	GENERAL REVISION	01/03/23	IP	IP



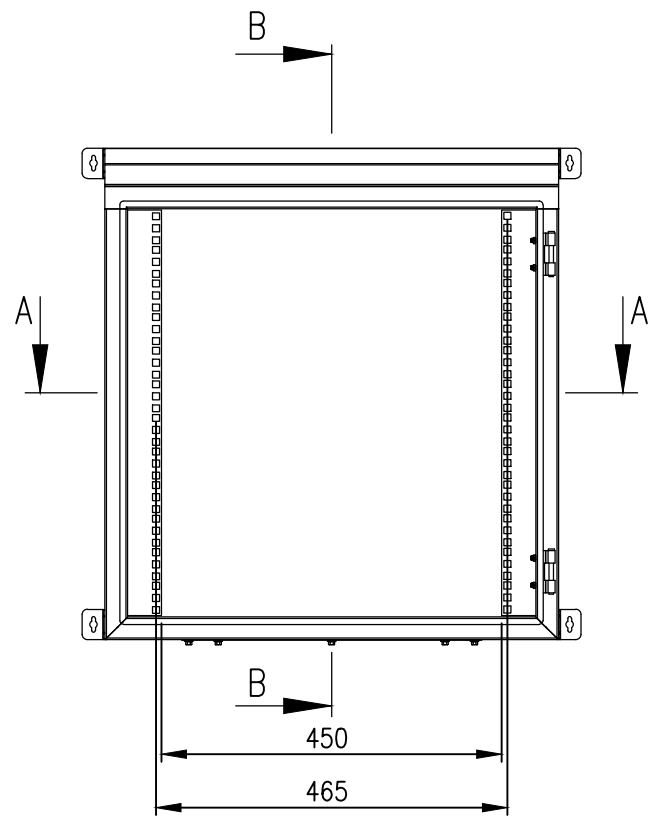
PLAN



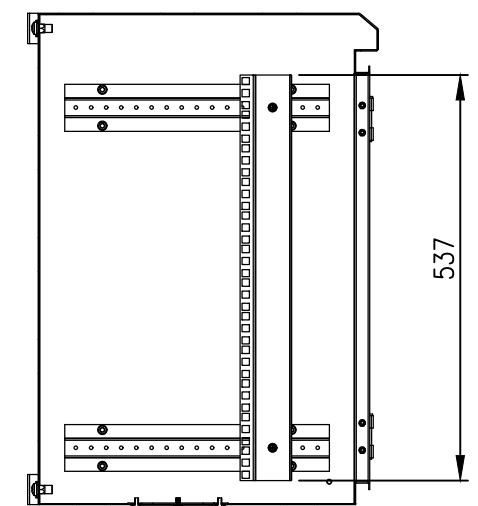
FRONT VIEW



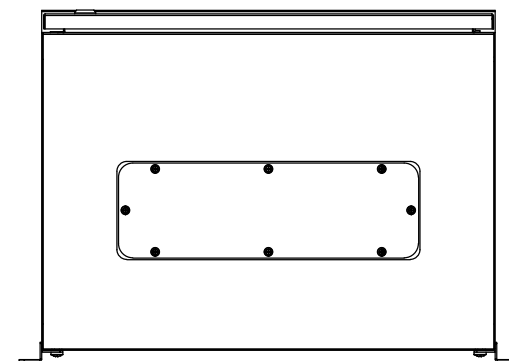
SIDE VIEW



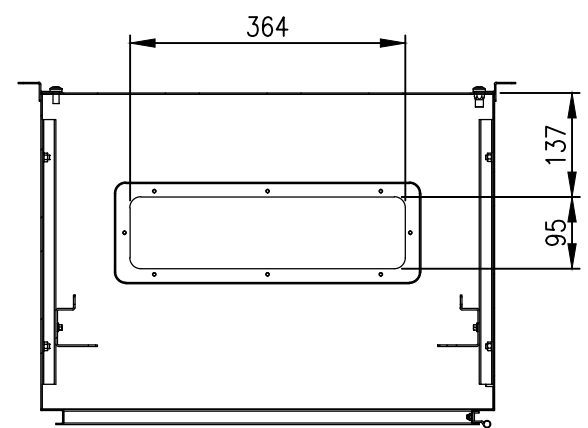
FRONT VIEW - DOOR REMOVED



SECTION BB



BOTTOM VIEW



SECTION AA

MATERIAL
 BODY: MARINE GRADE ALUMINIUM
 DOOR: MARINE GRADE ALUMINIUM
 19" RAILS: 1.5mm GALVANISED STEEL SHEET
 SEAL: POLYURETHANE

PROTECTION: IP66 IK10
STANDARD: EIA-310-D, IEC/EN/AS60529

© IP ENCLOSURES 2016.
 THIS DRAWING SHALL NOT BE COPIED OR REPRODUCED
 WITHOUT AUTHORISATION FROM IP ENCLOSURES.
 www.ipenclosures.com.au

Itemref	Quantity	Title/Name, designation, material, dimension etc	Article No./Reference
IP	1	ALUMINIUM 12U 19" DATA RACK 450 DEEP	IP-ADW12U45
IP	1	DOOR	IP-ADW12U45
IP	1	19" RAIL	IP-ADW12U45
IP	1	SEAL	IP-ADW12U45



ALUMINIUM 12U 19" DATA RACK 450 DEEP
 IP-ADW12U45
 Edition 1
 Sheet 1/1