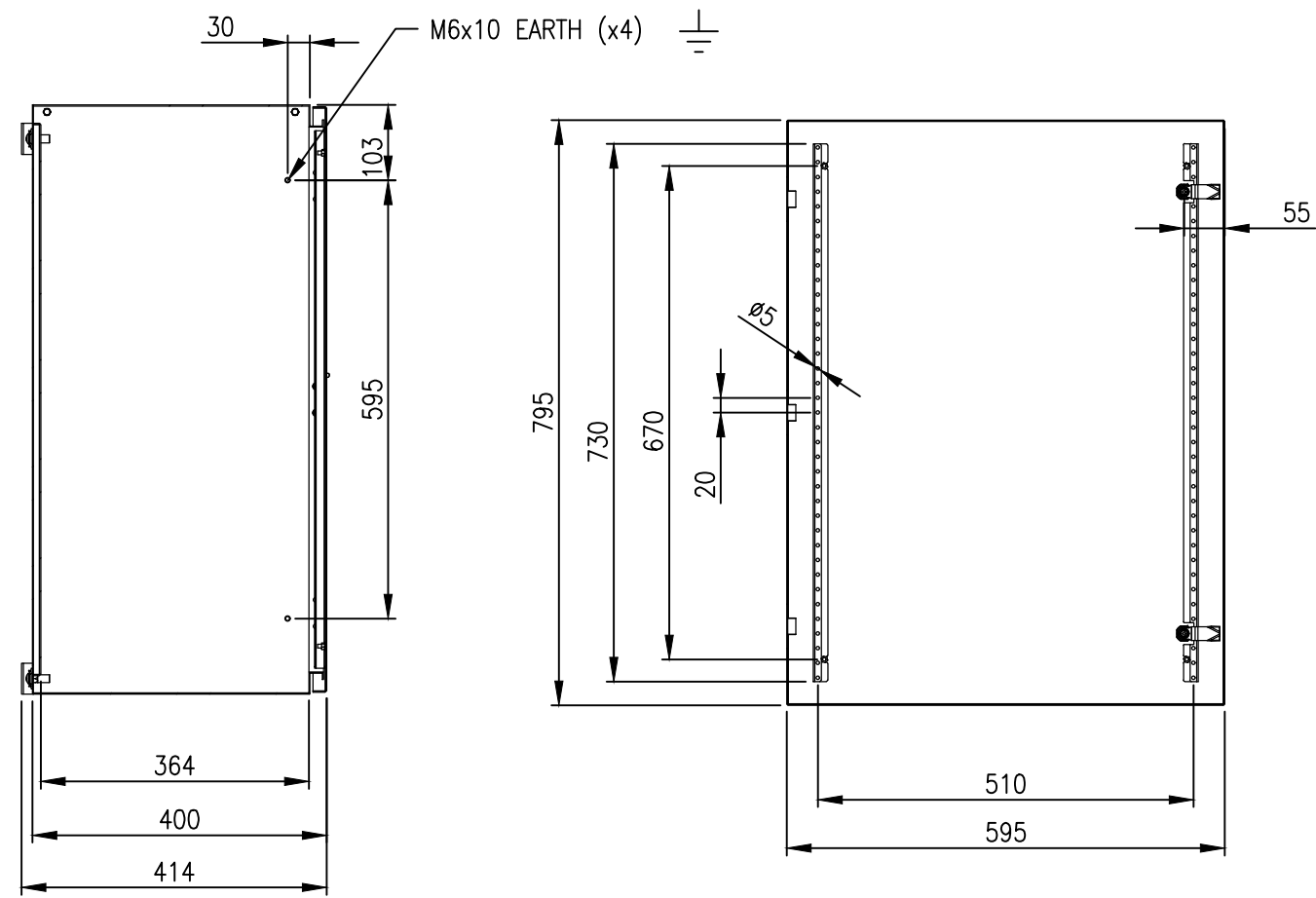
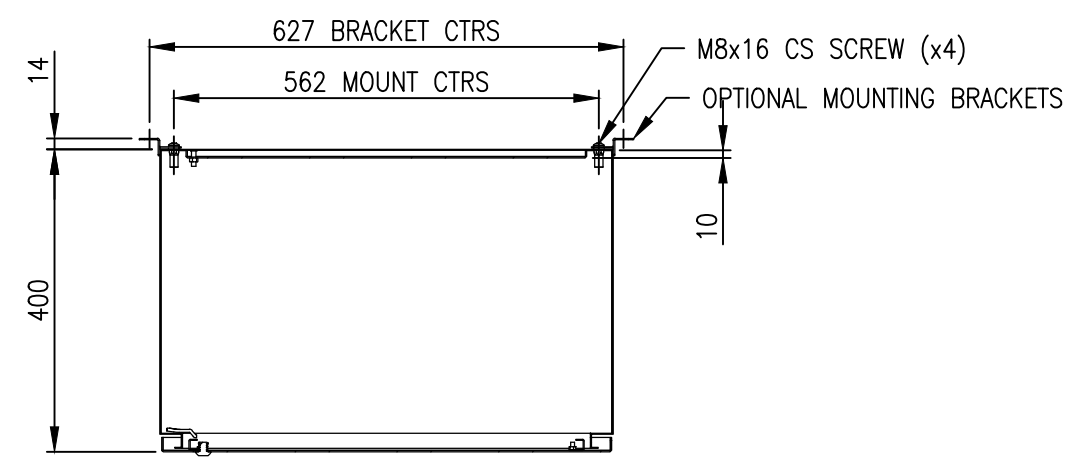
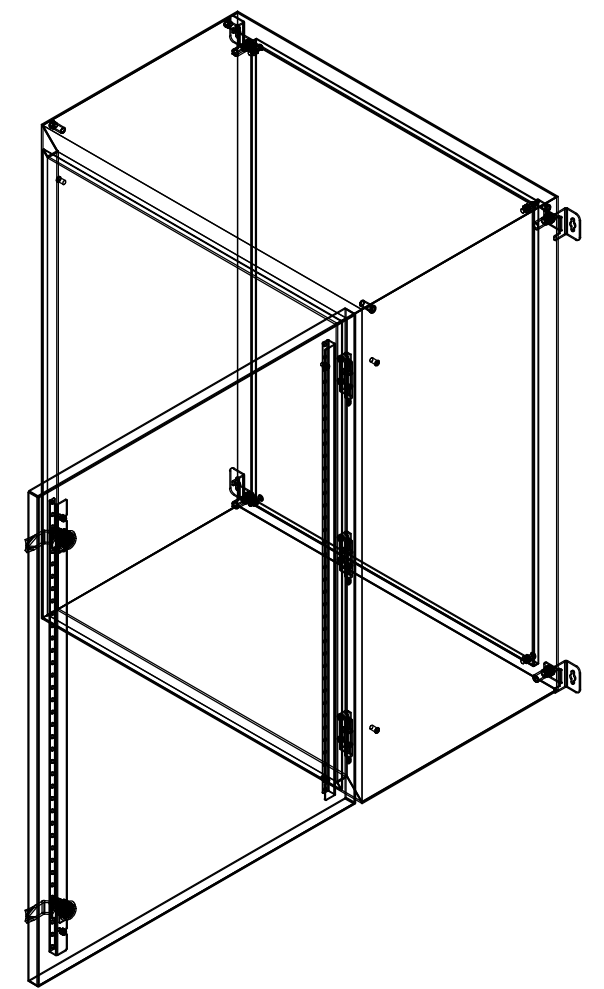


FRONT VIEW

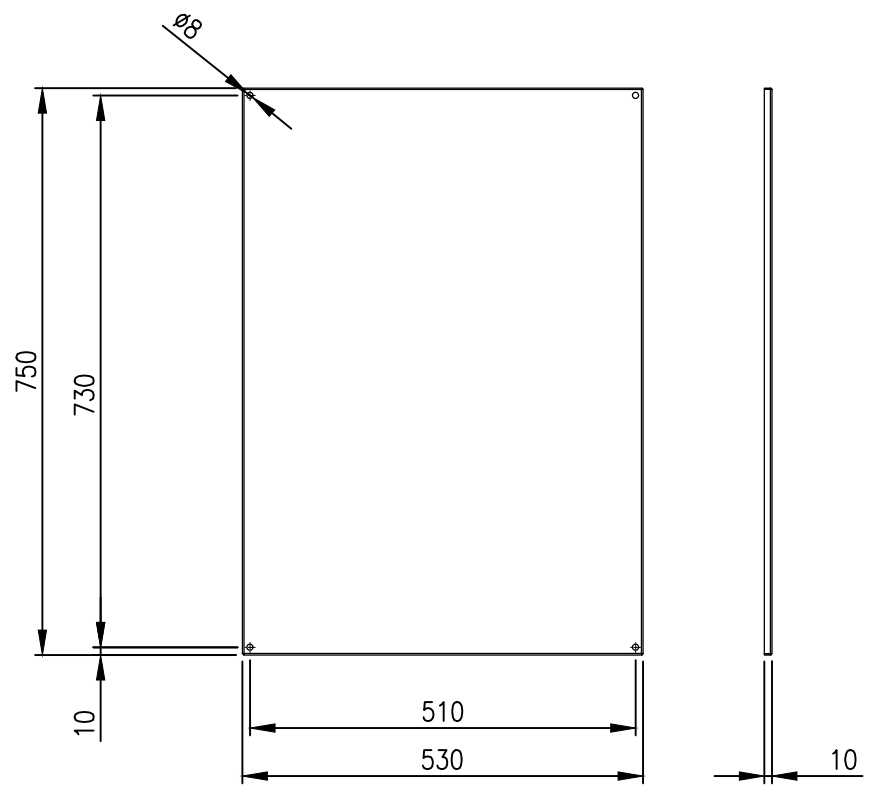


SECTION AY-AY

INSIDE DOOR VIEW



SECTION AW-AW



DEVICE MOUNTING PLATE

MATERIAL
 BODY: 1.5mm MARINE GRADE ALUMINIUM
 DOOR: 1.5mm MARINE GRADE ALUMINIUM
 DEVICE PLATE: 1.5mm GALVANISED STEEL
 SEAL: POLYURETHANE

PROTECTION: IP66
STANDARD: IEC62208, IEC/EN/AS60529

© IP ENCLOSURES 2023.
 THIS DRAWING SHALL NOT BE COPIED OR REPRODUCED
 WITHOUT AUTHORISATION FROM IP ENCLOSURES.
 www.ipenclosures.com.au

Itemref	Quantity	Title/Name, designation, material, dimension etc	Article No./Reference
Designed by IP	Checked by IP	Approved by - date 01/06/23	Filename IP-A806040
		Date 01/06/23	Scale 1:10
			800x600x400 ALUMINIUM ENCLOSURE
IP-A806040			Edition 0
			Sheet 1/1