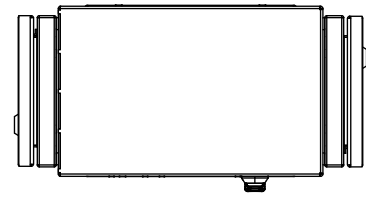
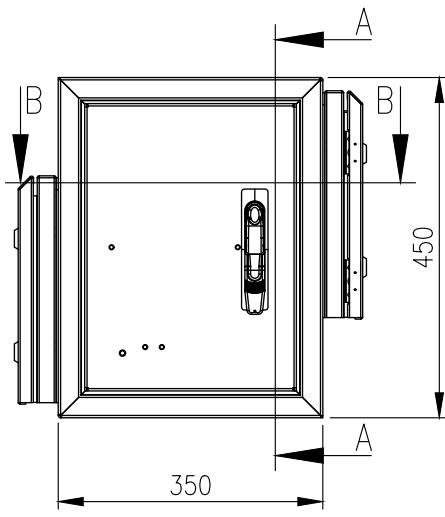


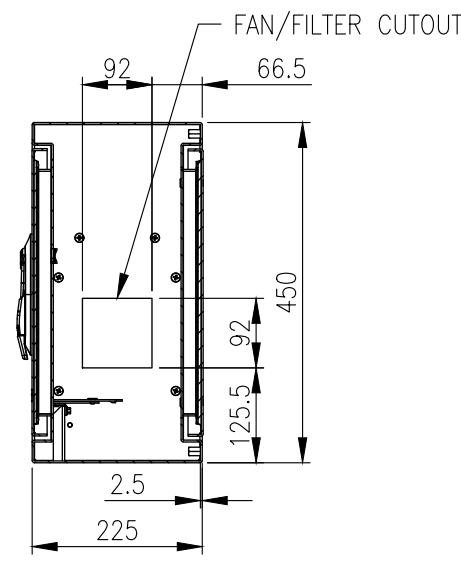
RevNo	Revision note	Date	Signature	Checked
2	GENERAL REVISION	15/04/25	IP	IP



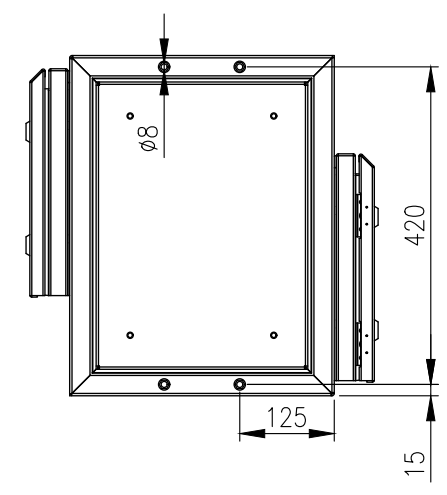
TOP VIEW



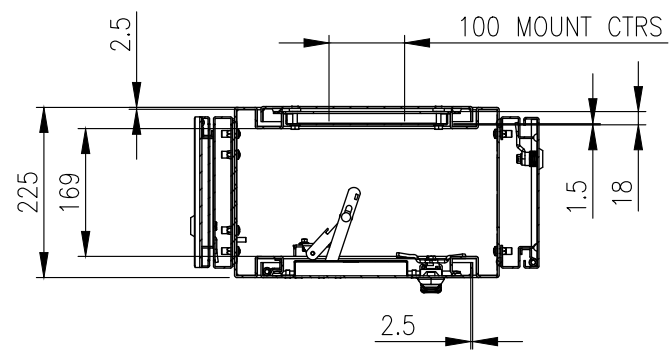
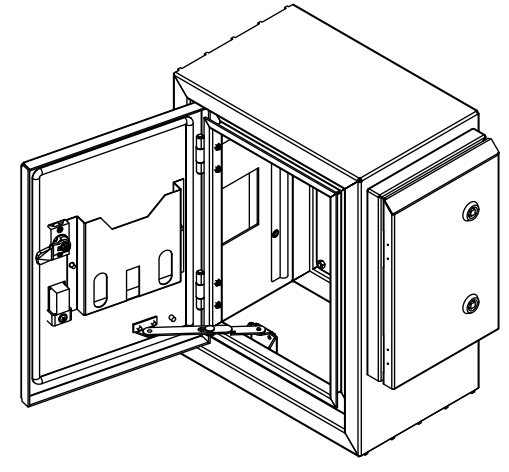
FRONT VIEW



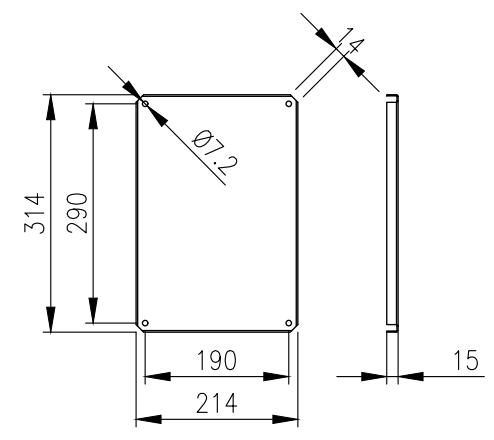
SECTION A-A



REAR VIEW



SECTION B-B



DEVICE MOUNTING PLATE

MATERIAL
 BODY: 2.5mm MARINE GRADE ALUMINIUM 5754-H111
 DOOR: 2.5mm MARINE GRADE ALUMINIUM 5754-H111
 DEVICE PLATE: 1.5mm GALVANISED STEEL SHEET
 SEAL: POLYURETHANE
 SURFACE TREATMENT: POWDER-COAT 80-120micron
 COLOUR: RAL7035 GREY

MASS: 10.3Kg.

PROTECTION: IP55 IK10
 STANDARD: IEC/EN62208, IEC/EN/AS60529

© IP ENCLOSURES 2025.
 THIS DRAWING SHALL NOT BE COPIED OR REPRODUCED
 WITHOUT AUTHORISATION FROM IP ENCLOSURES.
 www.ipenclosures.com.au

IMPORTANT NOTE:
 POLE MOUNTING BRACKETS ARE NOT INCLUDED
 AND MUST BE ORDERED SEPARATELY.

Itemref	Quantity	Title/Name, designation, material, dimension etc	Article No./Reference
Designed by IP	Checked by IP	Approved by - date 15/04/25	Filename IP-A453522
			Date 15/04/25
450x350x225 ALUM. FIELD CABINET (VENTILATED)			Scale 1:10
IP-A453522			Edition 1
			Sheet 1/1