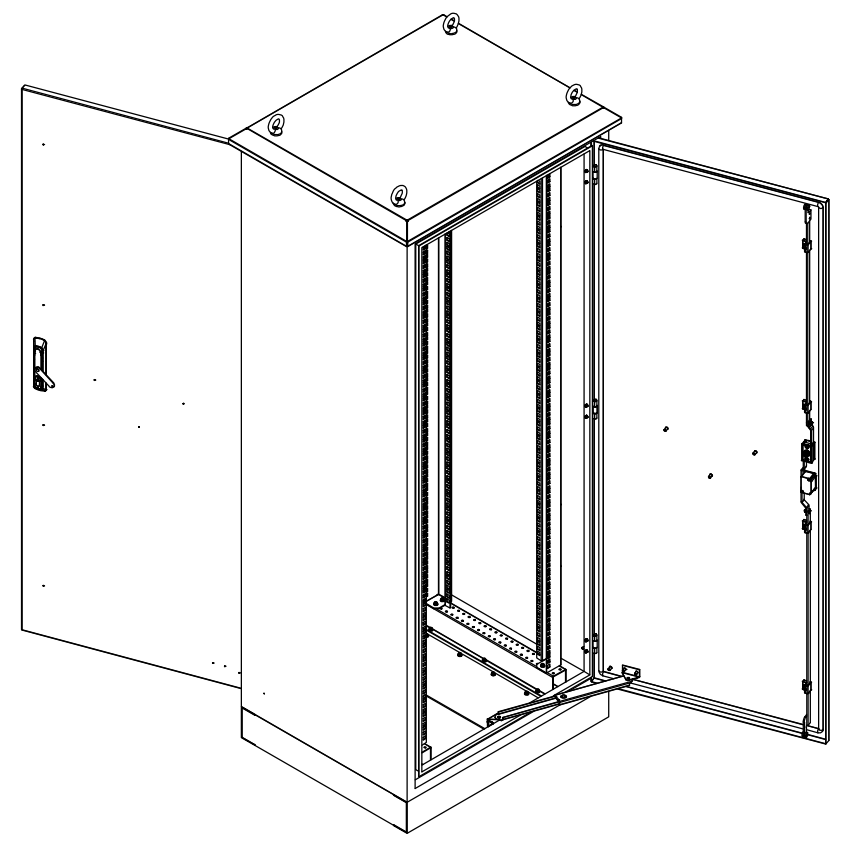
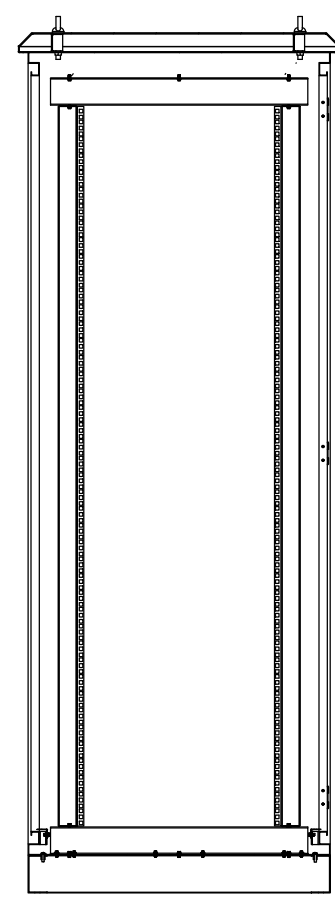
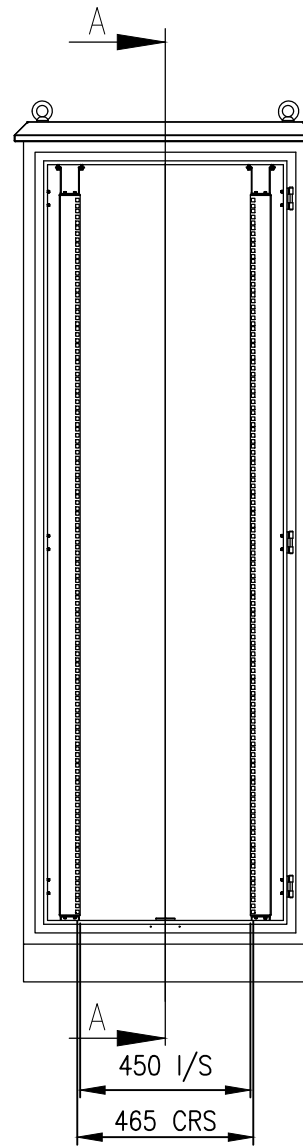
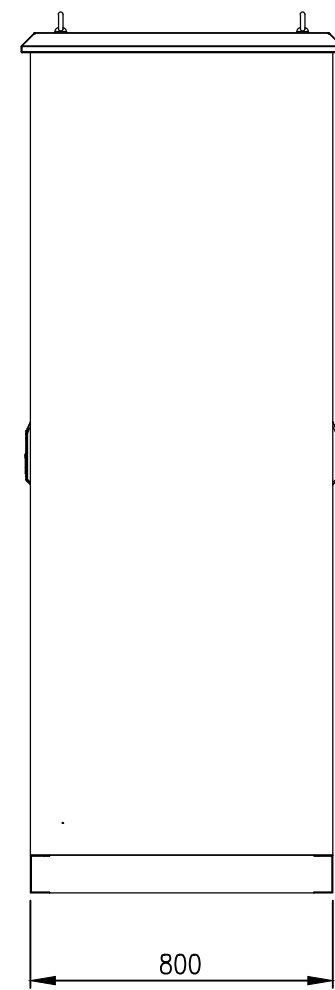
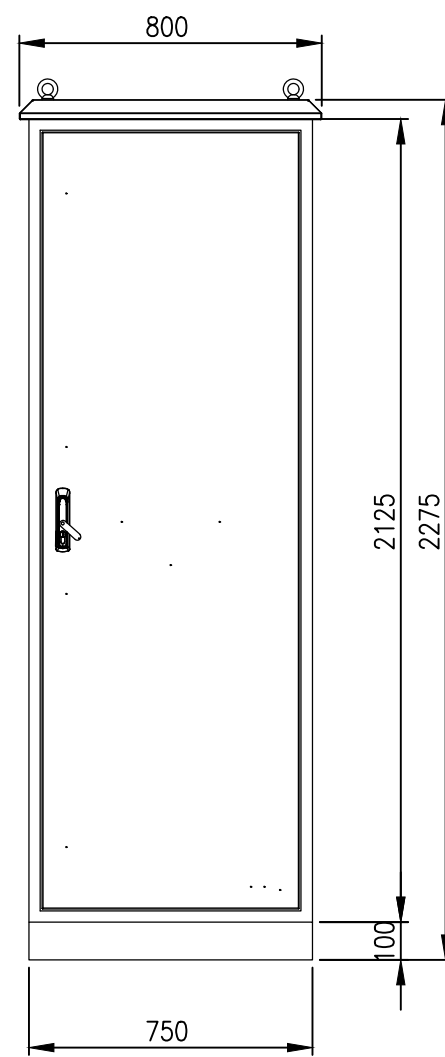
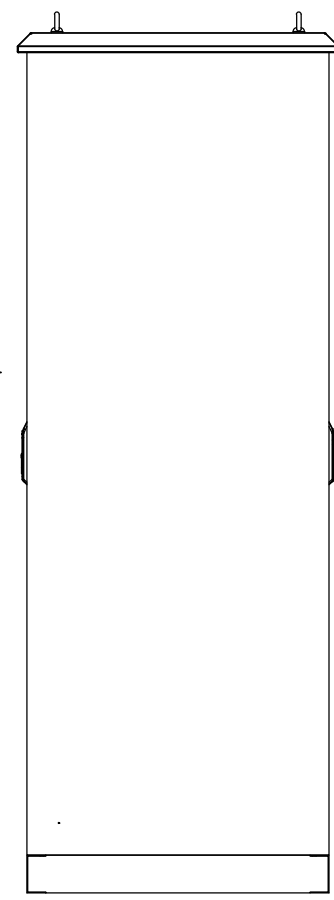
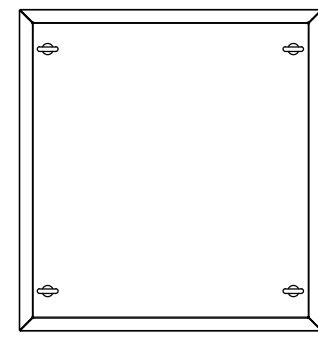


RevNo	Revision note	Date	Signature	Checked
3	GENERAL REVISION	13/01/23	IP	IP



SIDE VIEW

FRONT VIEW (ASSEMBLY)

SIDE VIEW

FRONT VIEW (FRONT DOOR REMOVED)

SECTION A-A

**MATERIAL**  
 BODY AND PLINTH: 2.0mm GALVANISED STEEL SHEET  
 DOORS: 2.0mm POWDERCOATED GALVANISED SHEET  
 19" DATA RAILS: 1.5mm GALVANISED STEEL SHEET  
 SEAL: POLYURETHANE  
 SURFACE TREATMENT: POWDER-COAT 80-120micron  
 COLOUR: RAL7035 LIGHT GREY, SMOOTH FINISH

PROTECTION: IP66  
 STANDARD: IEC62208, IEC/EN/AS60529, EIA-310D

© IP ENCLOSURES 2017.  
 THIS DRAWING SHALL NOT BE COPIED OR REPRODUCED  
 WITHOUT AUTHORISATION FROM IP ENCLOSURES.  
 www.ipenclosures.com.au

Itemref	Quantity	Title/Name, designation, material, dimension etc	Article No./Reference
Designed by IP	Checked by IP	Approved by - date 05/06/19	Filename IP-A2277580-0
		Date 05/06/19	Scale 1:20
			42U CABINET 2275x750x800 (NO VENTS)
			IP-A2277580-0
			Edition 3
			Sheet 1/1